

# VITA Fireplaces

North American Designed & Manufactured by **CF + D** | custom fireplace design



## **AIDAN** | See-Thru

Suspended Fireplace with Vapor-Fire Burner

LAYOUT DRAWING

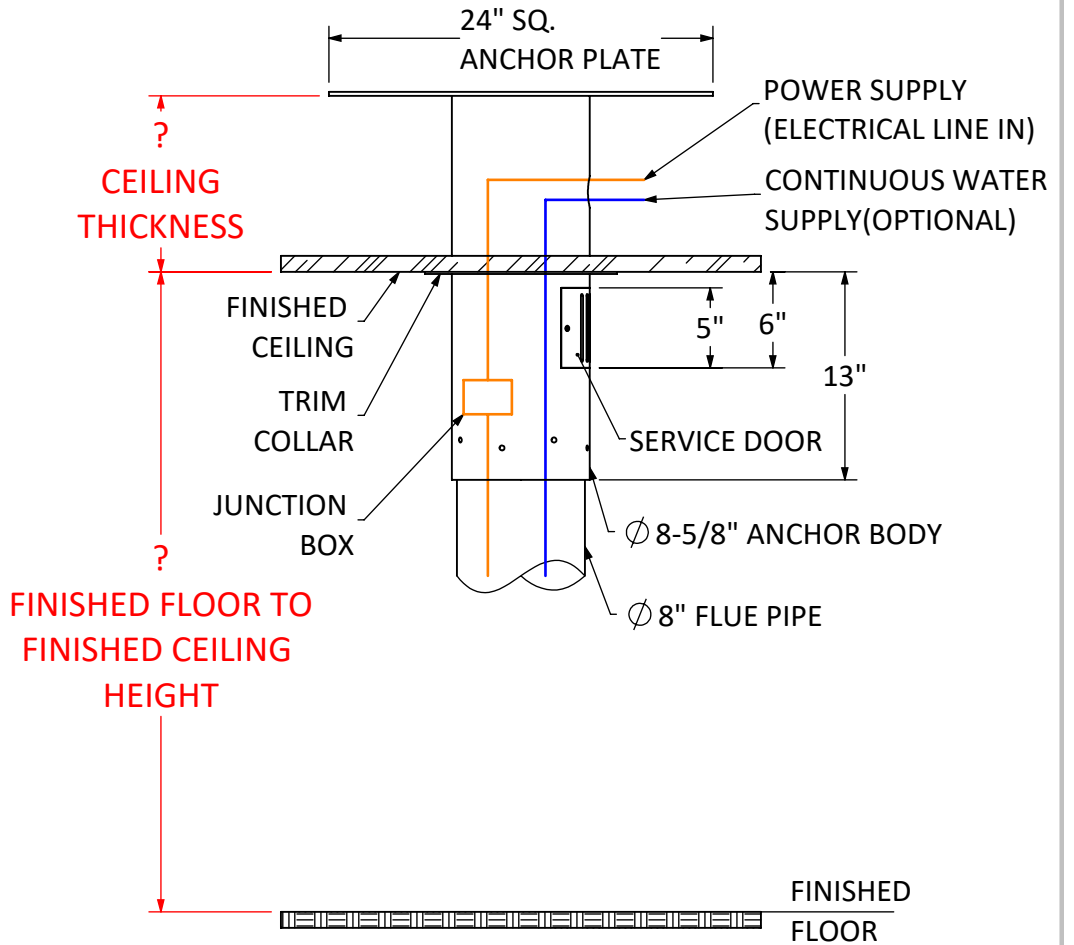
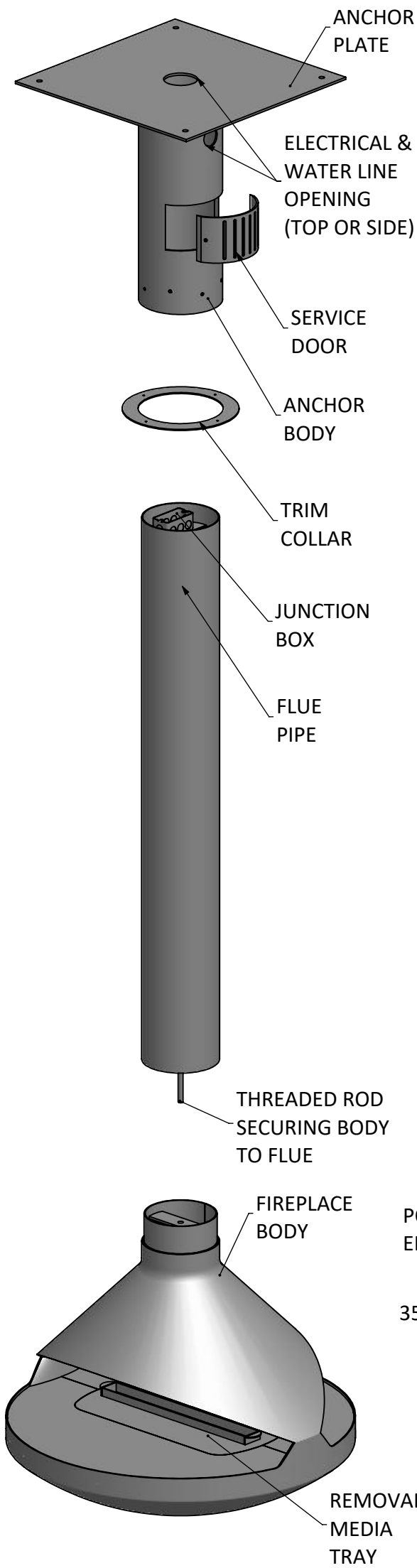
2/22/19

**CF + D** | custom fireplace design

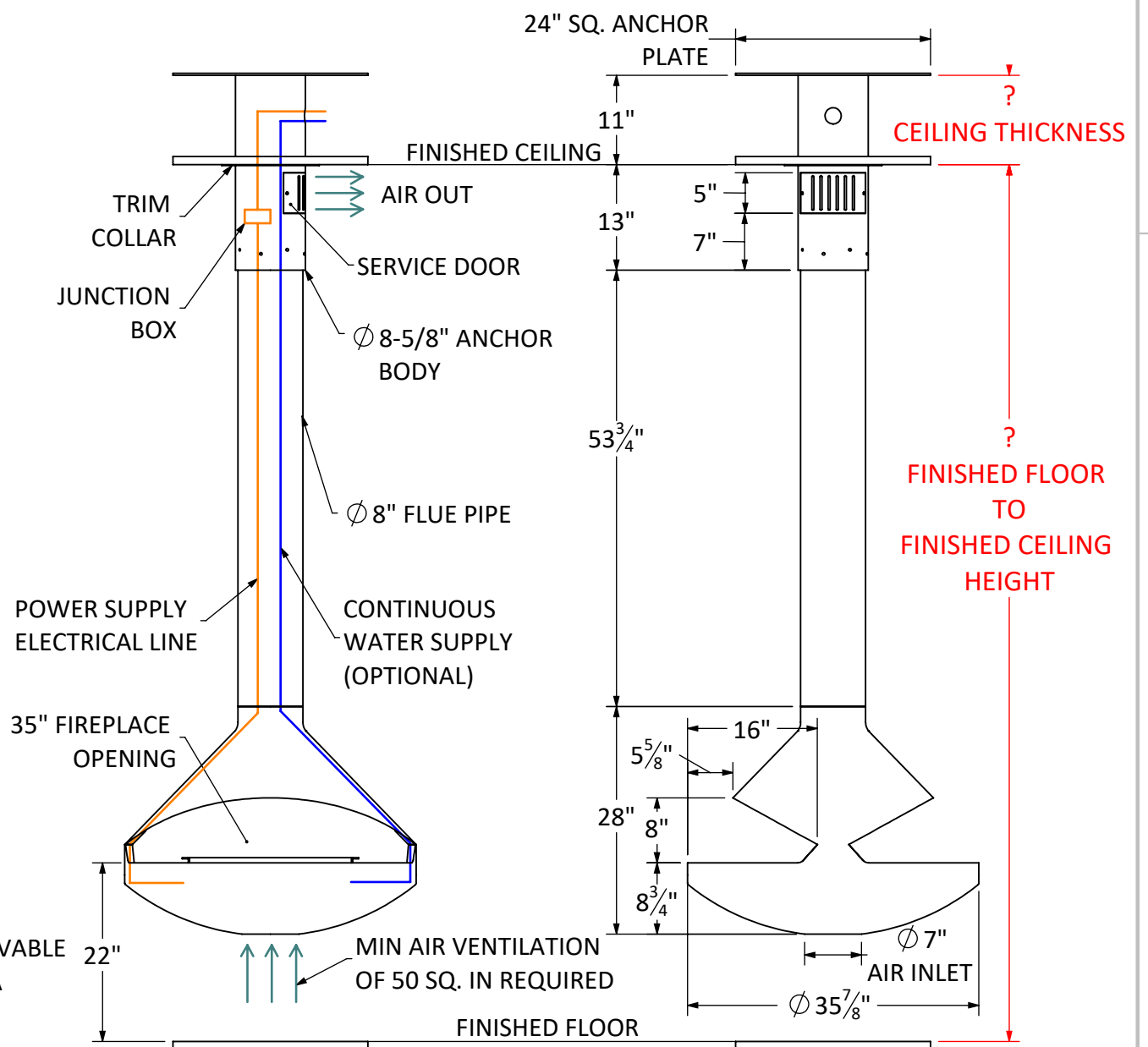
[www.customfireplacedesign.com](http://www.customfireplacedesign.com)

# VITA Fireplaces

## AIDAN | See-Thru Suspended Fireplace with Vapor-Fire Burner



**STANDARD ANCHOR**



Shown with Standard 9 ft. Flat Ceiling Application  
with Vapor-Fire  
Custom Lengths & Anchor Options Available

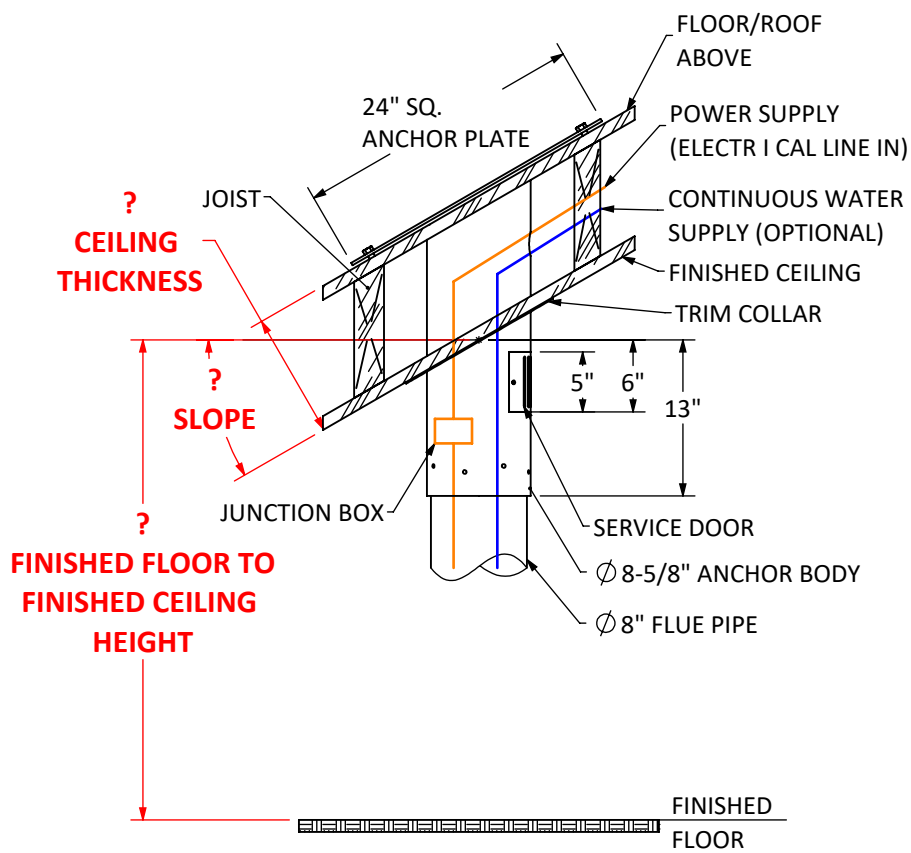
Anchor	77 lbs. approx.
Flue	58 lbs. approx.
Fireplace Body	155 lbs. approx.
Total Fireplace weight	290 lbs. approx

\*Each add'l. 1 ft. of flue pipe weighs: approx. 11 lbs.

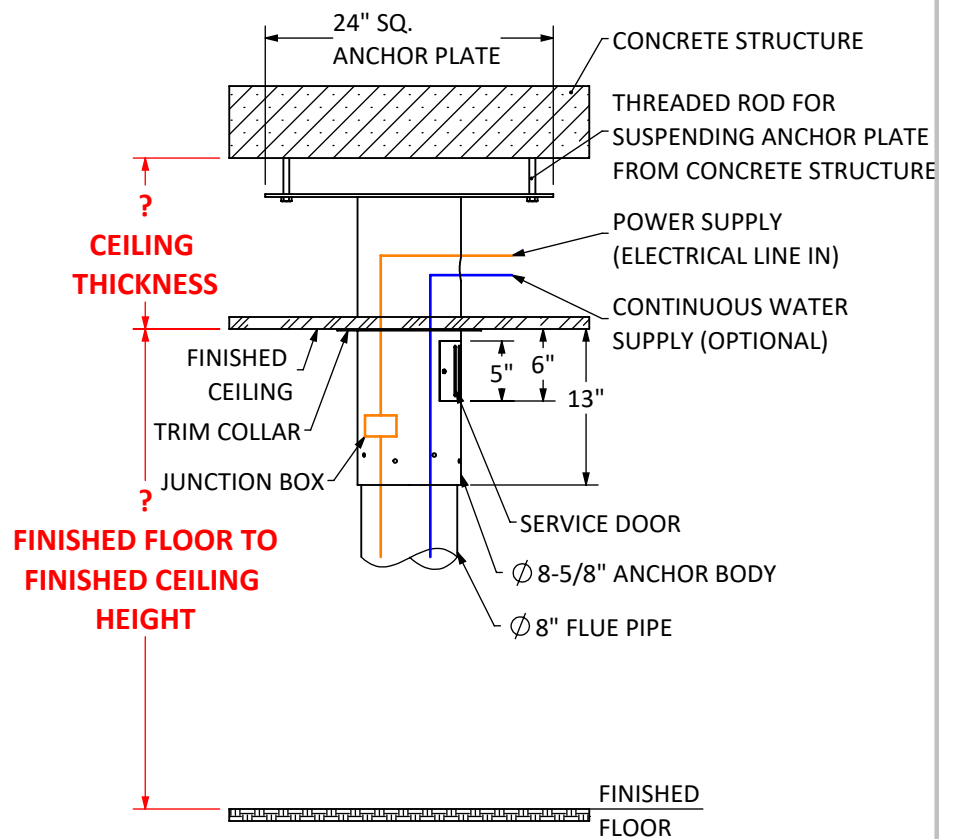
UNLESS OTHERWISE SPECIFIED:		NAME	DATE	MODEL:	AIDAN   See-Thru	
DIMENSIONS ARE IN INCHES		DRAWN	MP	2/22/2019	TITLE:	
TOLERANCES:		CHECKED	MV	2/22/2019	LAYOUT DRAWING	
FRACTIONAL ±		ENG APPR.			SIZE	DWG. NO.
ANGULAR: MACH ± BEND ±		MFG APPR.			A	SVF-02
TWO PLACE DECIMAL ±		Q.A.			SCALE: NTS	REV
THREE PLACE DECIMAL ±		<b>CF + D</b> CUSTOM FIREPLACE DESIGN INC. 5230 HARVESTER RD. UNIT # 2 BURLINGTON, ONTARIO CANADA L7L 4X4 PHONE: 905-681-3070 FAX: 905-681-8697		0		
INTERPRET GEOMETRIC TOLERANCING PER:				SHEET 2 OF 3		
MATERIAL						
FINISH		DO NOT SCALE DRAWING				

PROPRIETARY AND CONFIDENTIAL  
THE INFORMATION CONTAINED IN THIS DRAWING IS THE SOLE PROPERTY OF CUSTOM FIREPLACE DESIGN INC.  
ANY REPRODUCTION IN PART OR AS A WHOLE WITHOUT THE WRITTEN PERMISSION OF CUSTOM FIREPLACE DESIGN INC.  
IS PROHIBITED.

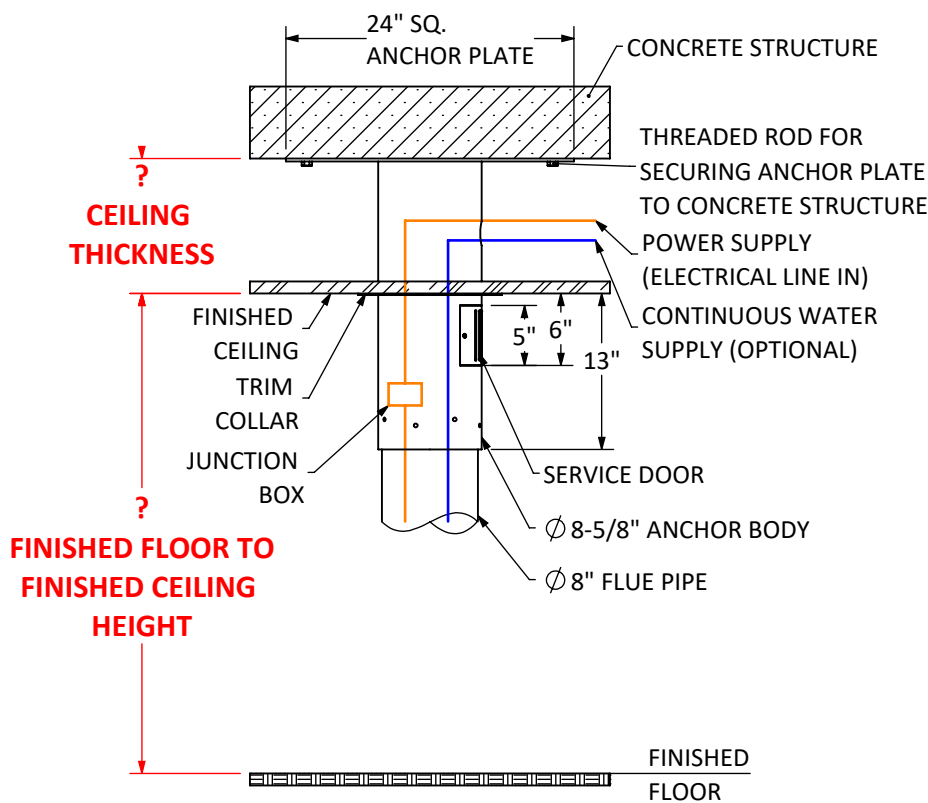
# CUSTOM ANCHOR OPTIONS AVAILABLE



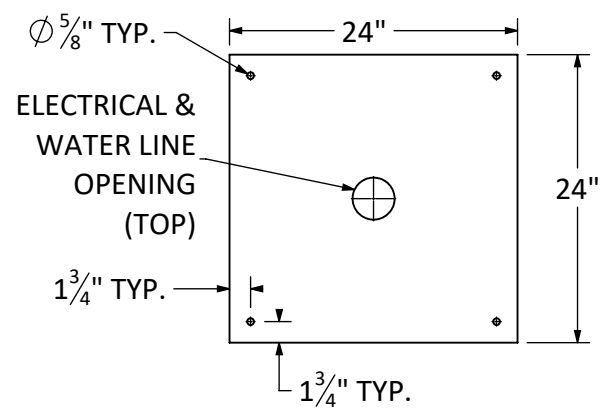
**OPTION A - SLOPED DROP FROM ABOVE**



**OPTION B - SUSPENDED FROM CONCRETE**



**OPTION C - ATTACHED BELOW CONCRETE**



**ANCHOR PLATE  
24" SQ. x 0.25" THK.**

## VITA Fireplaces

### AIDAN | See-Thru Suspended Fireplace with Vapor-Fire Burner Product Information

- Vapor-Fire burner technology
- Realistic flame without heat
- No venting requirements
- Safe to the touch
- Fueled by regular tap water
- 120 Volt 15 Amp-GFCI
- All fireplaces come in black matte finish
- Custom colors and patina finishes available
- Heat available, most models

#### WATER SOURCE OPTIONS

- OPTION 1: Plumbed-In to main source water line, 1/2" reduced to 1/4" factory set connection.  
 OPTION 2: Removable 1L container for manual fill approx. 8-10 hour burn time.

Recommended : Leak detection sensor for potential leak management.

Note: Exact measurements may vary ± 1/2".

North American Designed & Manufactured  
by  
**CF + D | custom fireplace design**

UNLESS OTHERWISE SPECIFIED:		NAME	DATE	MODEL:	AIDAN   See-Thru	
DIMENSIONS ARE IN INCHES		DRAWN	MP	2/22/2019	TITLE:	
TOLERANCES:		CHECKED	MV	2/22/2019	CUSTOM ANCHOR OPTIONS	
FRACTIONAL ±		ENG APPR.			SIZE	
ANGULAR: MACH ± BEND ±		MFG APPR.			DWG. NO.	
TWO PLACE DECIMAL ±		Q.A.			REV	
THREE PLACE DECIMAL ±					A	
INTERPRET GEOMETRIC TOLERANCING PER:		<b>CF + D</b> CUSTOM FIREPLACE DESIGN INC. 5230 HARVESTER RD. UNIT # 2 BURLINGTON, ONTARIO CANADA L7L 4X4 PHONE: 905-681-3070 FAX: 905-681-8697			SVF-02	
MATERIAL					SCALE : NTS	
FINISH		DO NOT SCALE DRAWING		0		