

VITA Fireplaces

North American Designed & Manufactured by **CF + D** | custom fireplace design



CALLISTA | Single-Sided
Suspended Fireplace with Vapor-Fire Burner

LAYOUT DRAWING

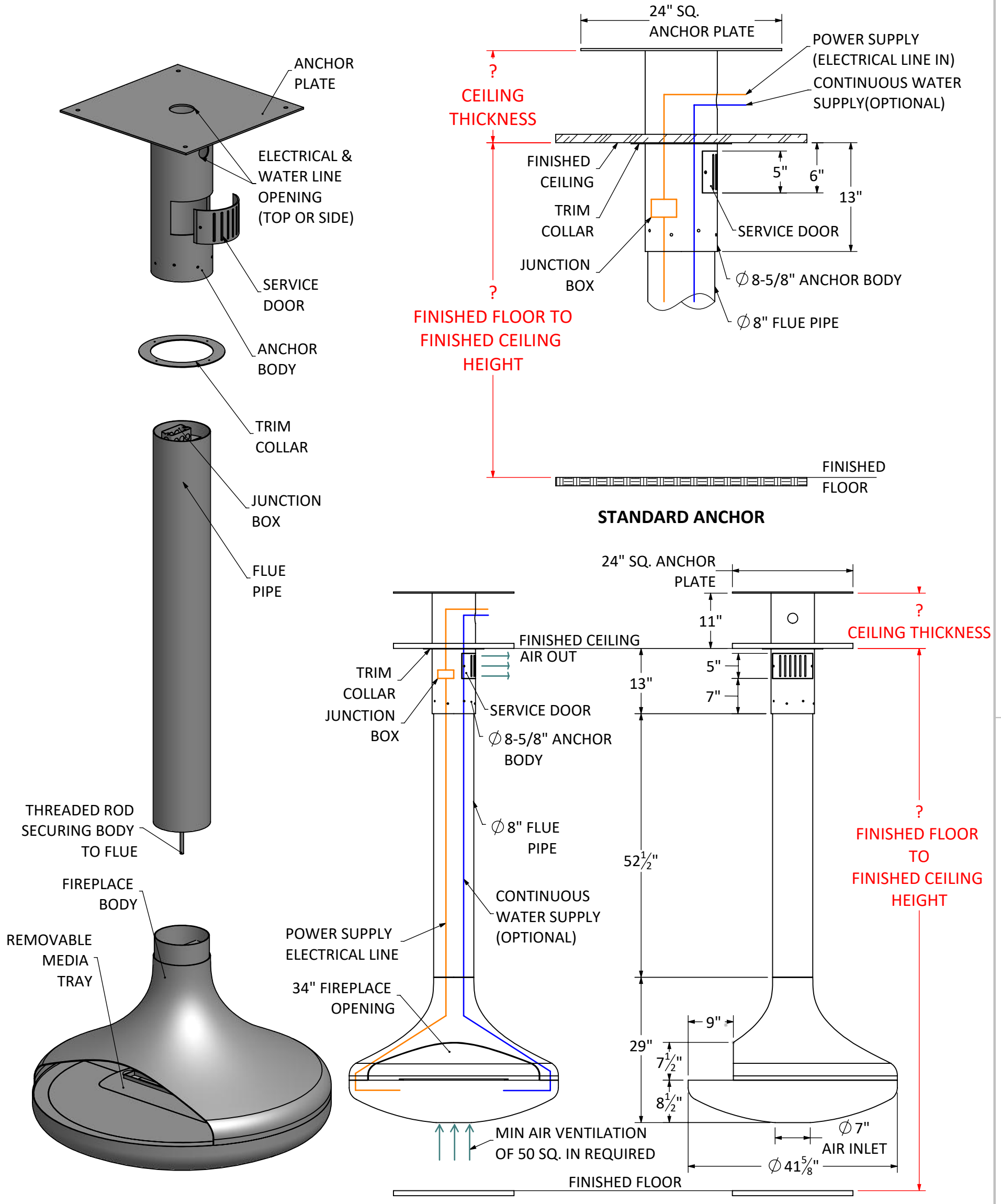
2/28/19

CF + D | custom fireplace design

www.customfireplacedesign.com

VITA Fireplaces

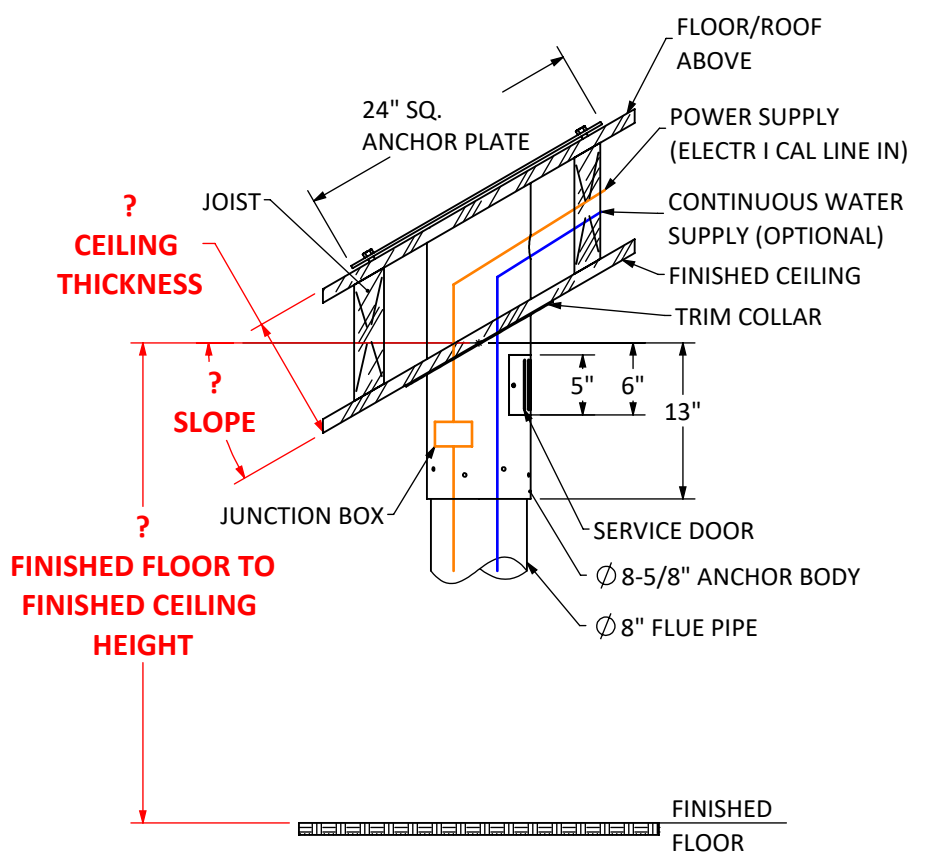
CALLISTA | Single-Sided Suspended Fireplace with Vapor-Fire Burner



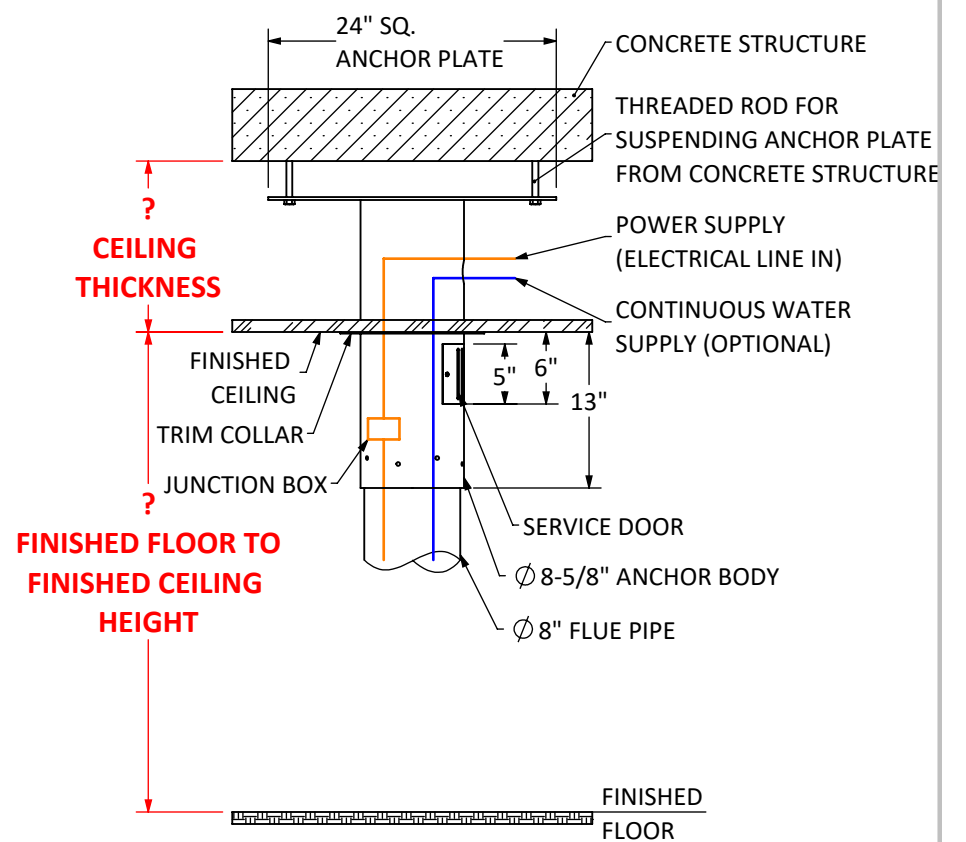
Shown with Standard 9 ft. Flat Ceiling Application
with Vapor-Fire
Custom Lengths & Anchor Options Available

Anchor	77 lbs. approx.	<small>UNLESS OTHERWISE SPECIFIED:</small> <small>DIMENSIONS ARE IN INCHES</small> <small>TOLERANCES:</small> <small>FRACTIONAL ±</small> <small>ANGULAR: MACH ± BEND ±</small> <small>TWO PLACE DECIMAL ±</small> <small>THREE PLACE DECIMAL ±</small> <small>INTERPRET GEOMETRIC TOLERANCING PER:</small> <small>MATERIAL</small> <small>FINISH</small> <small>DO NOT SCALE DRAWING</small>	NAME	DATE	MODEL:	CALLISTA Single-Sided			
Flue	58 lbs. approx.		DRAWN	MP	2/28/2019	TITLE:	LAYOUT DRAWING		
Fireplace Body	200 lbs. approx.		CHECKED	MV	2/28/2019	SIZE	DWG. NO.	REV	
Total Fireplace weight	335 lbs. approx		ENG APPR.			A	SVF-03	0	
*Each add'l. 1 ft. of flue pipe weighs : approx. 11 lbs.			MFG APPR.			SCALE: NTS		SHEET 2 OF 3	
<small>PROPRIETARY AND CONFIDENTIAL</small> <small>THE INFORMATION CONTAINED IN THIS DRAWING IS THE SOLE PROPERTY OF CUSTOM FIREPLACE DESIGN INC.</small> <small>ANY REPRODUCTION IN PART OR AS A WHOLE WITHOUT THE WRITTEN PERMISSION OF CUSTOM FIREPLACE DESIGN INC. IS PROHIBITED.</small>		<small>CF + D</small> <small>CUSTOM FIREPLACE DESIGN INC.</small> <small>5230 HARVESTER RD. UNIT # 2</small> <small>BURLINGTON, ONTARIO CANADA L7L 4X4</small> <small>PHONE: 905-681-3070 FAX: 905-681-8697</small>							

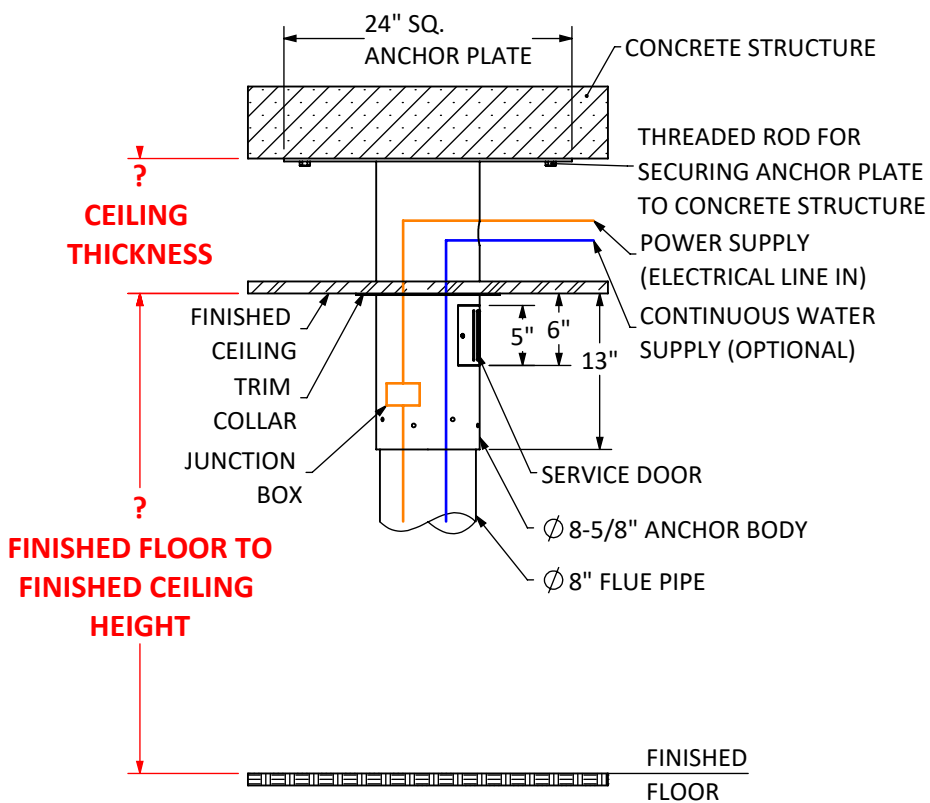
CUSTOM ANCHOR OPTIONS AVAILABLE



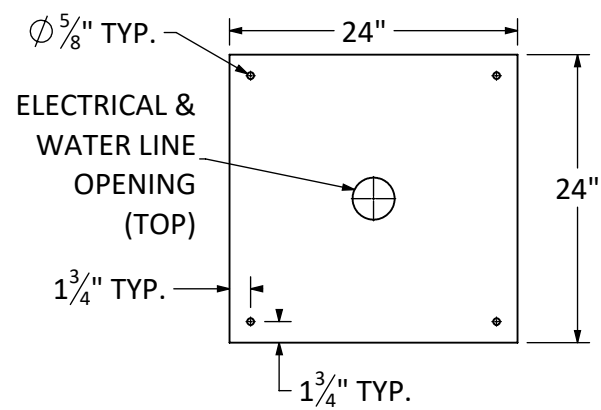
OPTION A - SLOPED DROP FROM ABOVE



OPTION B - SUSPENDED FROM CONCRETE



OPTION C - ATTACHED BELOW CONCRETE



**ANCHOR PLATE
24\"/>**

VITA Fireplaces

CALLISTA | Single-Sided Suspended Fireplace with Vapor-Fire Burner Product Information

- Vapor-Fire burner technology
- Realistic flame without heat
- No venting requirements
- Safe to the touch
- Fueled by regular tap water
- 120 Volt 15 Amp-GFCI
- All fireplaces come in black matte finish
- Custom colors and patina finishes available
- Heat available, most models

WATER SOURCE OPTIONS

- OPTION 1: Plumbed-In to main source water line, 1/2" reduced to 1/4" factory set connection.
- OPTION 2: Removable 1L container for manual fill approx. 8-10 hour burn time.

Recommended: Leak detection sensor for potential leak management.

Note: Exact measurements may vary ± 1/2".

North American Designed & Manufactured
by
CF + D | custom fireplace design

UNLESS OTHERWISE SPECIFIED:		NAME	DATE	MODEL:	CALLISTA Single-Sided	
DIMENSIONS ARE IN INCHES		DRAWN	MP	2/28/2019	TITLE:	
TOLERANCES:		CHECKED	MV	2/28/2019	CUSTOM ANCHOR OPTIONS	
FRACTIONAL ±		ENG APPR.			SIZE	DWG. NO.
ANGULAR: MACH ± BEND ±		MFG APPR.			A	SVF-03
TWO PLACE DECIMAL ±		Q.A.			REV	0
THREE PLACE DECIMAL ±					SCALE : NTS	SHEET 3 OF 3
INTERPRET GEOMETRIC TOLERANCING PER:		CF + D CUSTOM FIREPLACE DESIGN INC. 5230 HARVESTER RD. UNIT # 2 BURLINGTON, ONTARIO CANADA L7L 4X4 PHONE: 905-681-3070 FAX: 905-681-8697				
MATERIAL						
FINISH		DO NOT SCALE DRAWING				