

VITA Fireplaces

North American Designed & Manufactured by **CF + D** | custom fireplace design



CALLISTA | Triple-Sided Suspended Fireplace with Vapor-Fire Burner

LAYOUT DRAWING

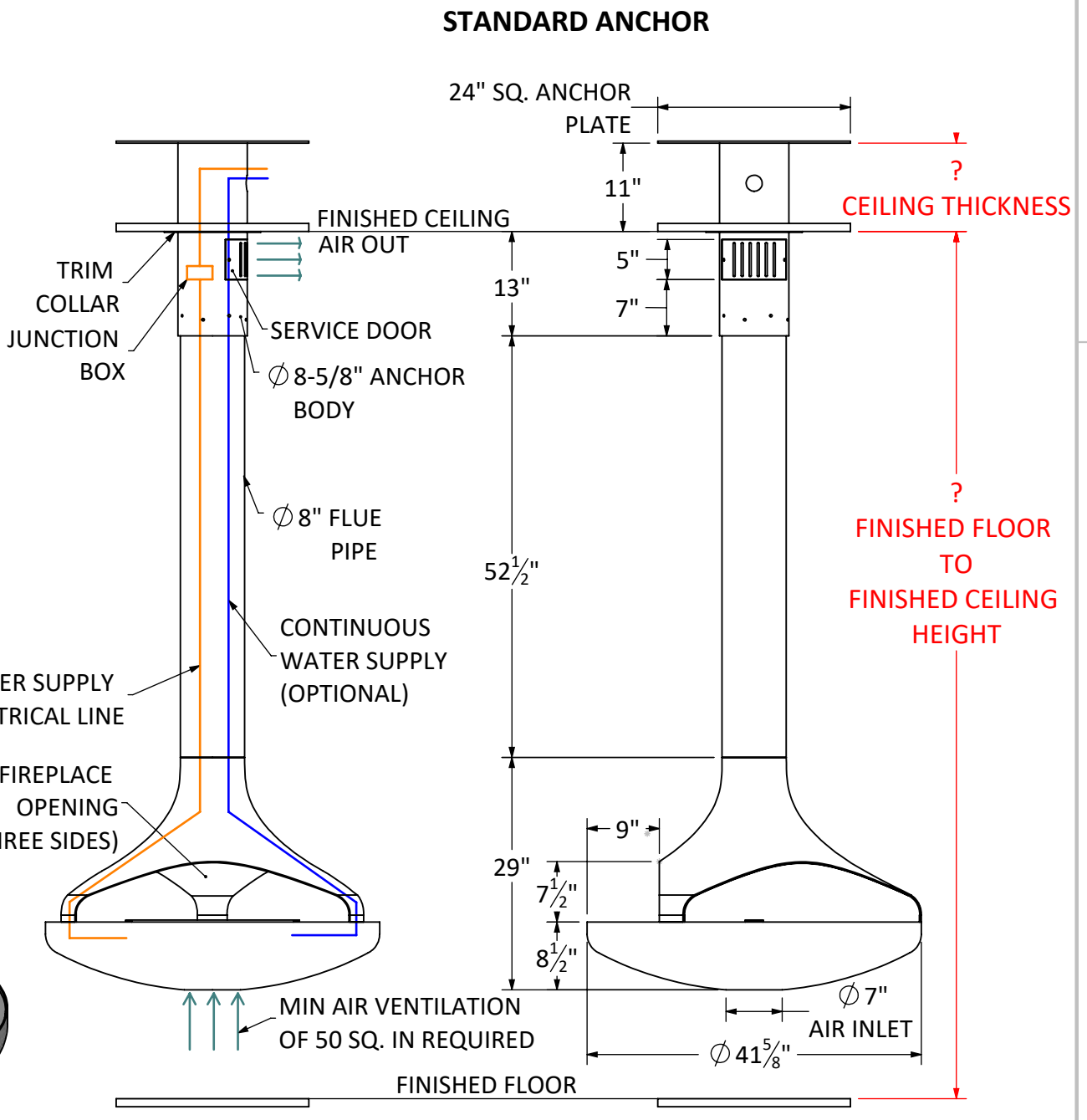
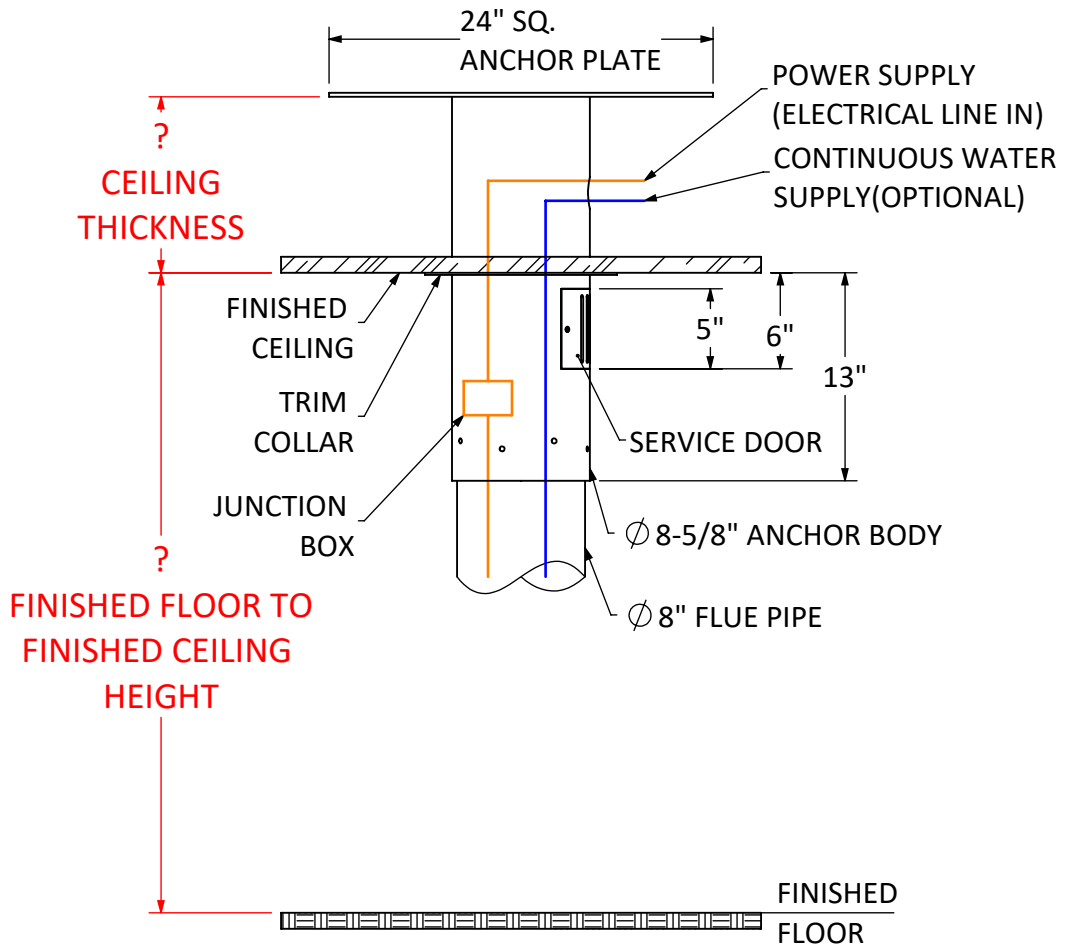
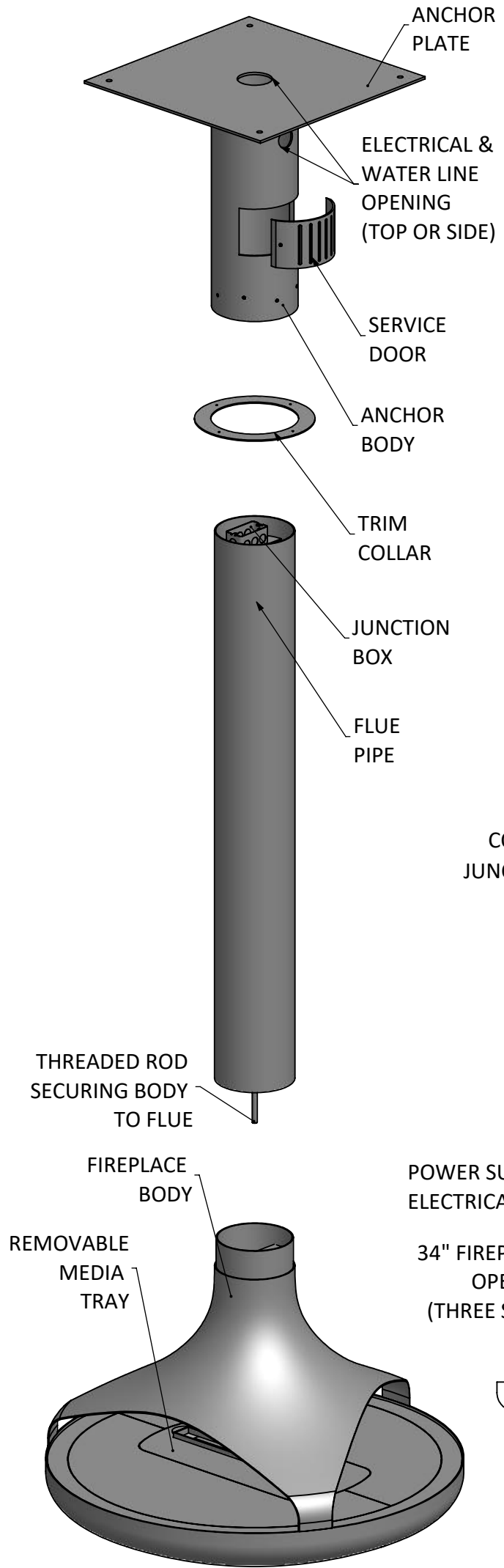
03/04/19

CF + D | custom fireplace design

www.customfireplacedesign.com

VITA Fireplaces

CALLISTA | Triple-Sided Suspended Fireplace with Vapor-Fire Burner



Shown with Standard 9 ft. Flat Ceiling Application
with Vapor-Fire
Custom Lengths & Anchor Options Available

Anchor	77 lbs. approx.
Flue	58 lbs. approx.
Fireplace Body	180 lbs. approx.
Total Fireplace weight	315 lbs. approx.

*Each add'l. 1 ft. of flue pipe weighs: approx. 11 lbs.

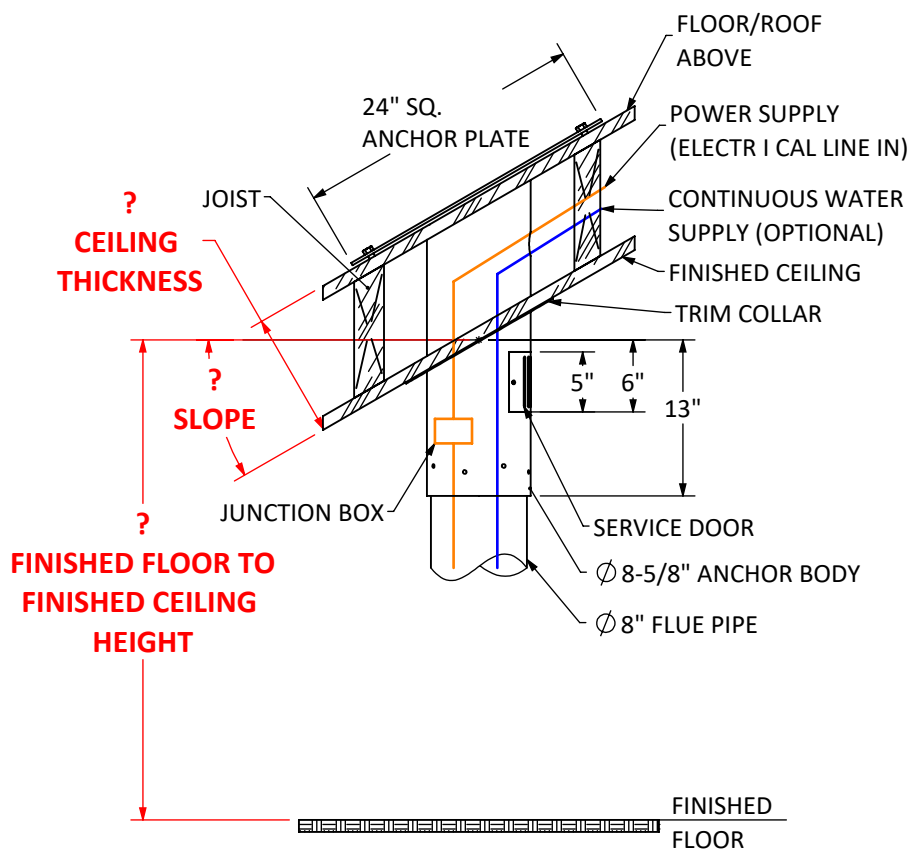
UNLESS OTHERWISE SPECIFIED:
DIMENSIONS ARE IN INCHES
TOLERANCES:
FRACTIONAL ±
ANGULAR: MACH ± BEND ±
TWO PLACE DECIMAL ±
THREE PLACE DECIMAL ±
INTERPRET GEOMETRIC TOLERANCING PER:
MATERIAL
FINISH
DO NOT SCALE DRAWING

NAME	DATE
MP	3/4/2019
CHECKED	MV
ENG APPR.	
MFG APPR.	
Q.A.	
CF + D	
CUSTOM FIREPLACE DESIGN INC.	
5230 HARVESTER RD. UNIT # 2	
BURLINGTON, ONTARIO CANADA L7L 4X4	
PHONE: 905-681-3070 FAX: 905-681-8697	

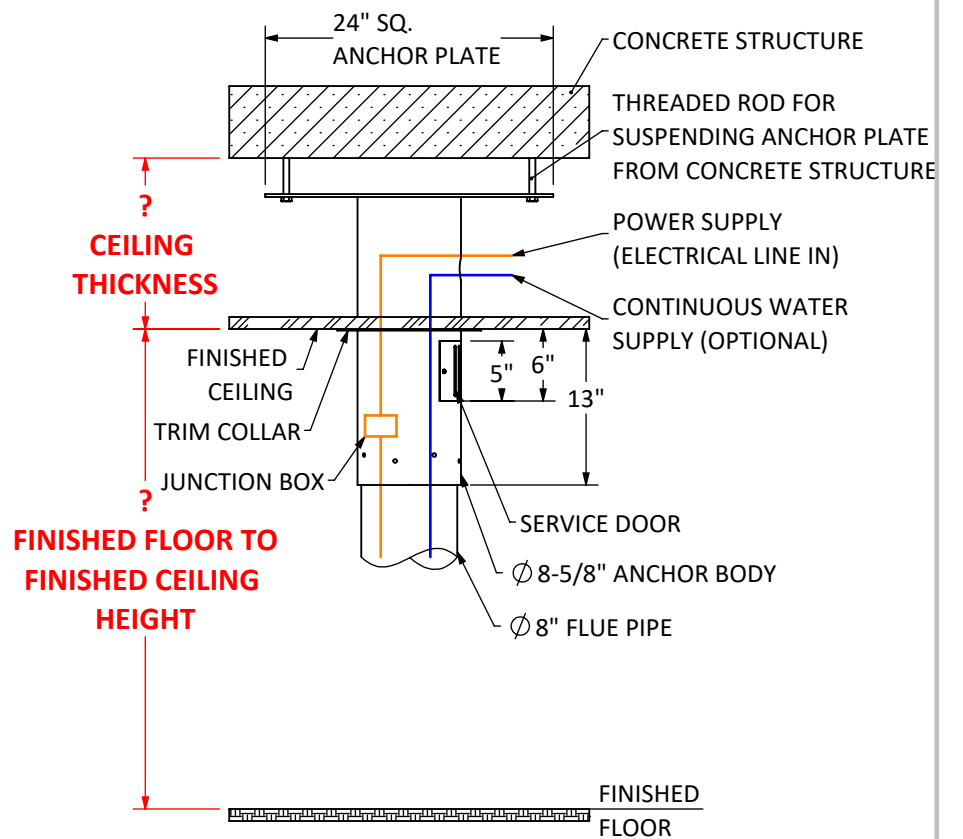
MODEL: CALLISTA Triple-Sided		
TITLE: LAYOUT DRAWING		
SIZE	DWG. NO.	REV
A	SVF-05	0
SCALE: NTS		SHEET 2 OF 3

PROPRIETARY AND CONFIDENTIAL
THE INFORMATION CONTAINED IN THIS DRAWING IS THE SOLE PROPERTY OF CUSTOM FIREPLACE DESIGN INC.
ANY REPRODUCTION IN PART OR AS A WHOLE WITHOUT THE WRITTEN PERMISSION OF CUSTOM FIREPLACE DESIGN INC.
IS PROHIBITED.

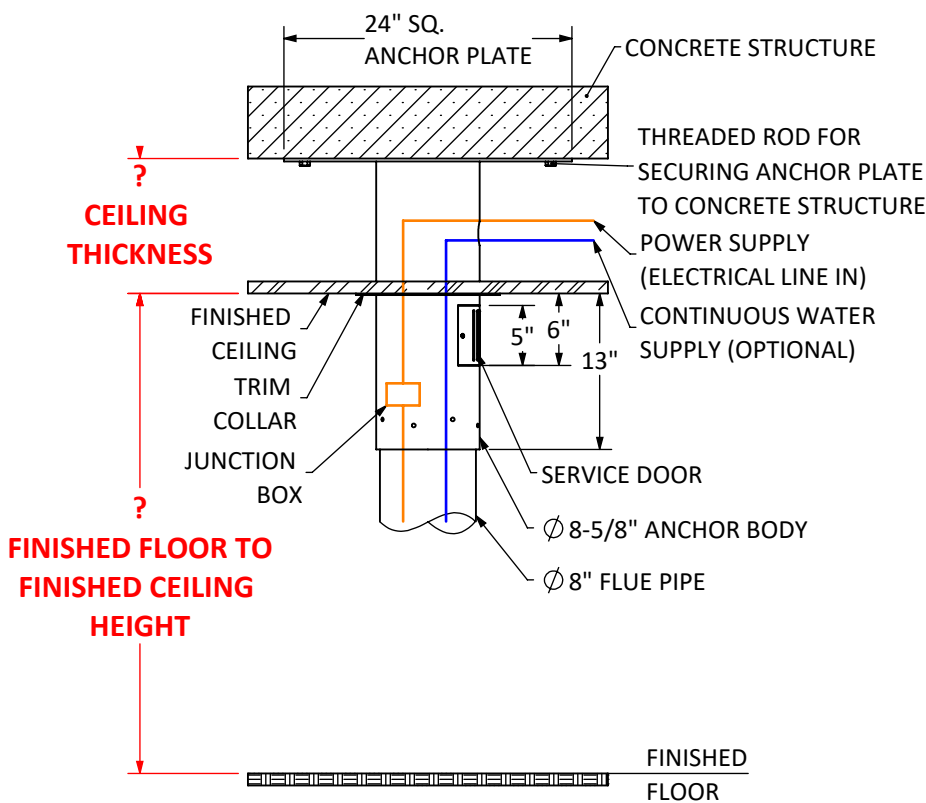
CUSTOM ANCHOR OPTIONS AVAILABLE



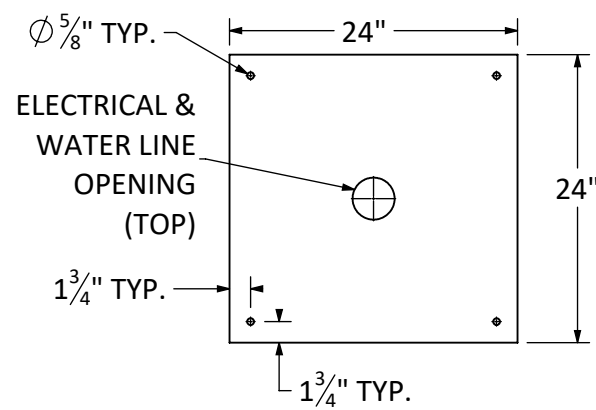
OPTION A - SLOPED DROP FROM ABOVE



OPTION B - SUSPENDED FROM CONCRETE



OPTION C - ATTACHED BELOW CONCRETE



**ANCHOR PLATE
24" SQ. x 0.25" THK.**

VITA Fireplaces

CALLISTA | Triple-Sided Suspended Fireplace with Vapor-Fire Burner Product Information

- Vapor-Fire burner technology
- Realistic flame without heat
- No venting requirements
- Safe to the touch
- Fueled by regular tap water
- 120 Volt 15 Amp-GFCI
- All fireplaces come in black matte finish
- Custom colors and patina finishes available
- Heat available, most models

WATER SOURCE OPTIONS

- OPTION 1: Plumbed-In to main source water line, 1/2" reduced to 1/4" factory set connection.
 OPTION 2: Removable 1L container for manual fill approx. 8-10 hour burn time.

Recommended : Leak detection sensor for potential leak management.

Note: Exact measurements may vary ± 1/2".

North American Designed & Manufactured
by
CF + D | custom fireplace design

UNLESS OTHERWISE SPECIFIED:		NAME	DATE	MODEL:	CALLISTA Triple-Sided	
DIMENSIONS ARE IN INCHES		DRAWN	MP	3/4/2019	TITLE:	
TOLERANCES:		CHECKED	MV	3/4/2019	CUSTOM ANCHOR OPTIONS	
FRACTIONAL ±		ENG APPR.			SIZE	DWG. NO.
ANGULAR: MACH ± BEND ±		MFG APPR.			A	SVF-05
TWO PLACE DECIMAL ±		Q.A.			SCALE : NTS	REV
THREE PLACE DECIMAL ±						0
INTERPRET GEOMETRIC TOLERANCING PER:		CF + D		CUSTOM FIREPLACE DESIGN INC.		
MATERIAL				5230 HARVESTER RD. UNIT # 2		
FINISH				BURLINGTON, ONTARIO CANADA L7L 4X4		
DO NOT SCALE DRAWING				PHONE: 905-681-3070 FAX: 905-681-8697		
				SHEET 3 OF 3		