

# VITA | Fireplaces

North American Designed & Manufactured by **CF + D** | custom fireplace design



## BELLA | Suspended Hood with Base Gas Fireplace

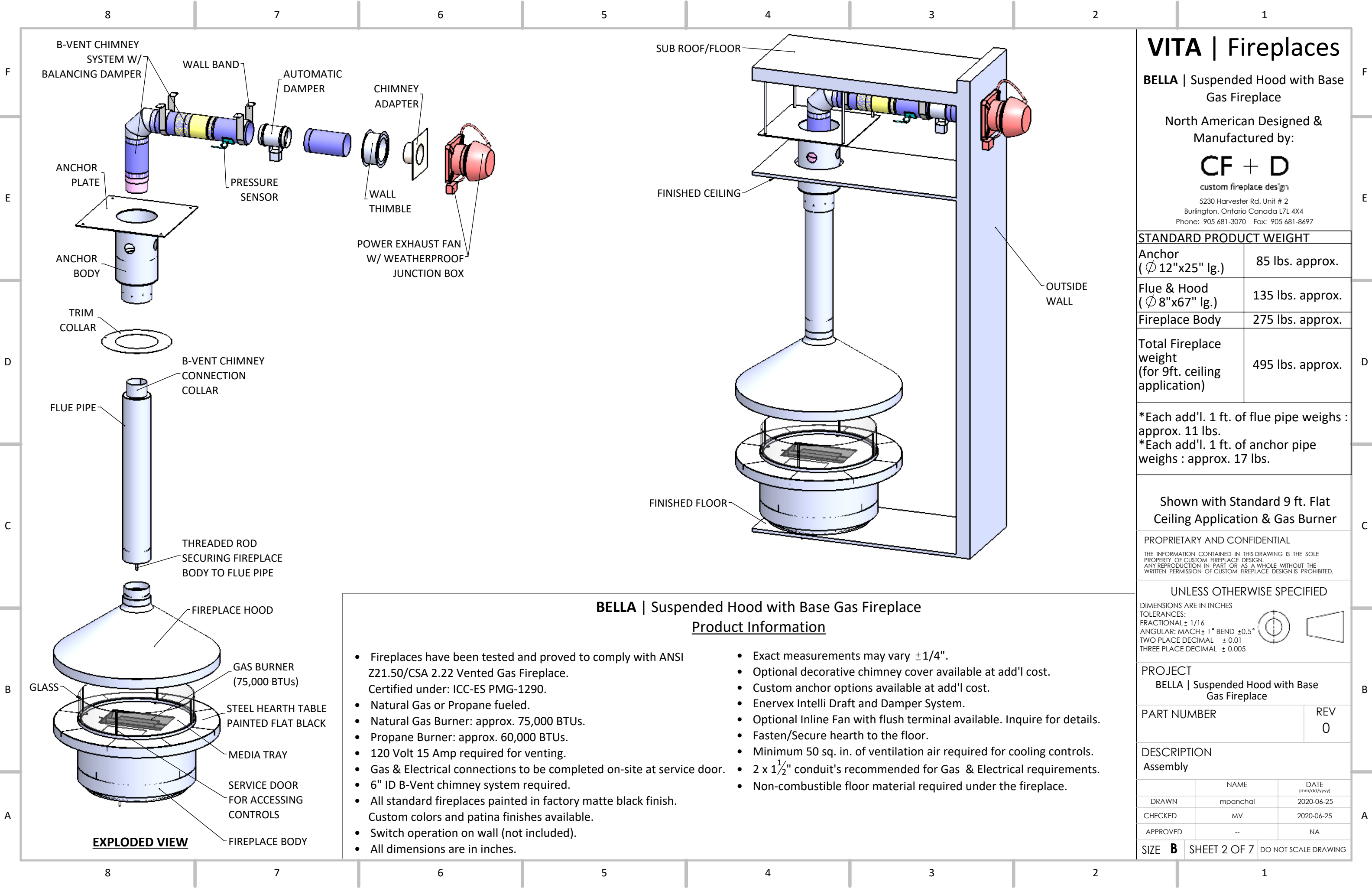


Fireplaces have been tested and proved to comply with ANSI Z21.50/CSA 2.22 Vented Gas Fireplace. Certified under: ICC-ES PMG-1290

**PRODUCT LAYOUT PACKAGE**  
(HORIZONTAL TERMINATION)

2020-06-25

**CF + D** | custom fireplace design  
[www.customfireplacedesign.com](http://www.customfireplacedesign.com)



**VITA | Fireplaces**  
**BELLA | Suspended Hood with Base Gas Fireplace**  
 North American Designed & Manufactured by:  
**CF + D**  
 custom fireplace design  
 5230 Harvester Rd. Unit # 2  
 Burlington, Ontario Canada L7L 4X4  
 Phone: 905 681-3070 Fax: 905 681-8697

STANDARD PRODUCT WEIGHT	
Anchor (Ø 12"x25" lg.)	85 lbs. approx.
Flue & Hood (Ø 8"x67" lg.)	135 lbs. approx.
Fireplace Body	275 lbs. approx.
<b>Total Fireplace weight (for 9ft. ceiling application)</b>	<b>495 lbs. approx.</b>

\*Each add'l. 1 ft. of flue pipe weighs : approx. 11 lbs.  
 \*Each add'l. 1 ft. of anchor pipe weighs : approx. 17 lbs.

Shown with Standard 9 ft. Flat Ceiling Application & Gas Burner

PROPRIETARY AND CONFIDENTIAL  
 THE INFORMATION CONTAINED IN THIS DRAWING IS THE SOLE PROPERTY OF CUSTOM FIREPLACE DESIGN. ANY REPRODUCTION IN PART OR AS A WHOLE WITHOUT THE WRITTEN PERMISSION OF CUSTOM FIREPLACE DESIGN IS PROHIBITED.

**BELLA | Suspended Hood with Base Gas Fireplace**  
**Product Information**

- Fireplaces have been tested and proved to comply with ANSI Z21.50/CSA 2.22 Vented Gas Fireplace. Certified under: ICC-ES PMG-1290.
- Natural Gas or Propane fueled.
- Natural Gas Burner: approx. 75,000 BTUs.
- Propane Burner: approx. 60,000 BTUs.
- 120 Volt 15 Amp required for venting.
- Gas & Electrical connections to be completed on-site at service door.
- 6" ID B-Vent chimney system required.
- All standard fireplaces painted in factory matte black finish. Custom colors and patina finishes available.
- Switch operation on wall (not included).
- All dimensions are in inches.
- Exact measurements may vary ±1/4".
- Optional decorative chimney cover available at add'l cost.
- Custom anchor options available at add'l cost.
- Enervex Intelli Draft and Damper System.
- Optional Inline Fan with flush terminal available. Inquire for details.
- Fasten/Secure hearth to the floor.
- Minimum 50 sq. in. of ventilation air required for cooling controls.
- 2 x 1 1/2" conduit's recommended for Gas & Electrical requirements.
- Non-combustible floor material required under the fireplace.

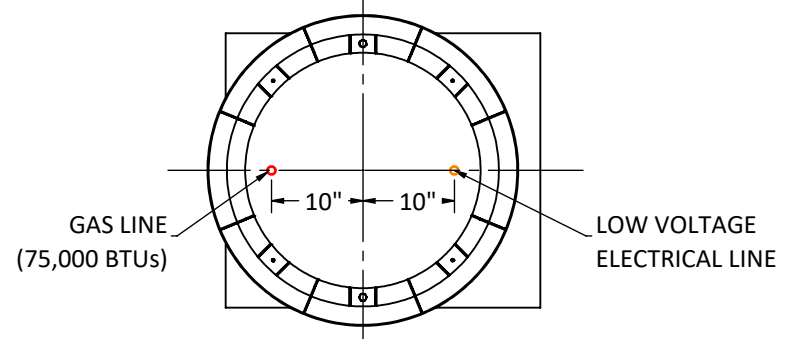
UNLESS OTHERWISE SPECIFIED  
 DIMENSIONS ARE IN INCHES  
 TOLERANCES:  
 FRACTIONAL ± 1/16  
 ANGULAR: MACH ± 1° BEND ± 0.5°  
 TWO PLACE DECIMAL ± 0.01  
 THREE PLACE DECIMAL ± 0.005

PROJECT  
 BELLA | Suspended Hood with Base Gas Fireplace

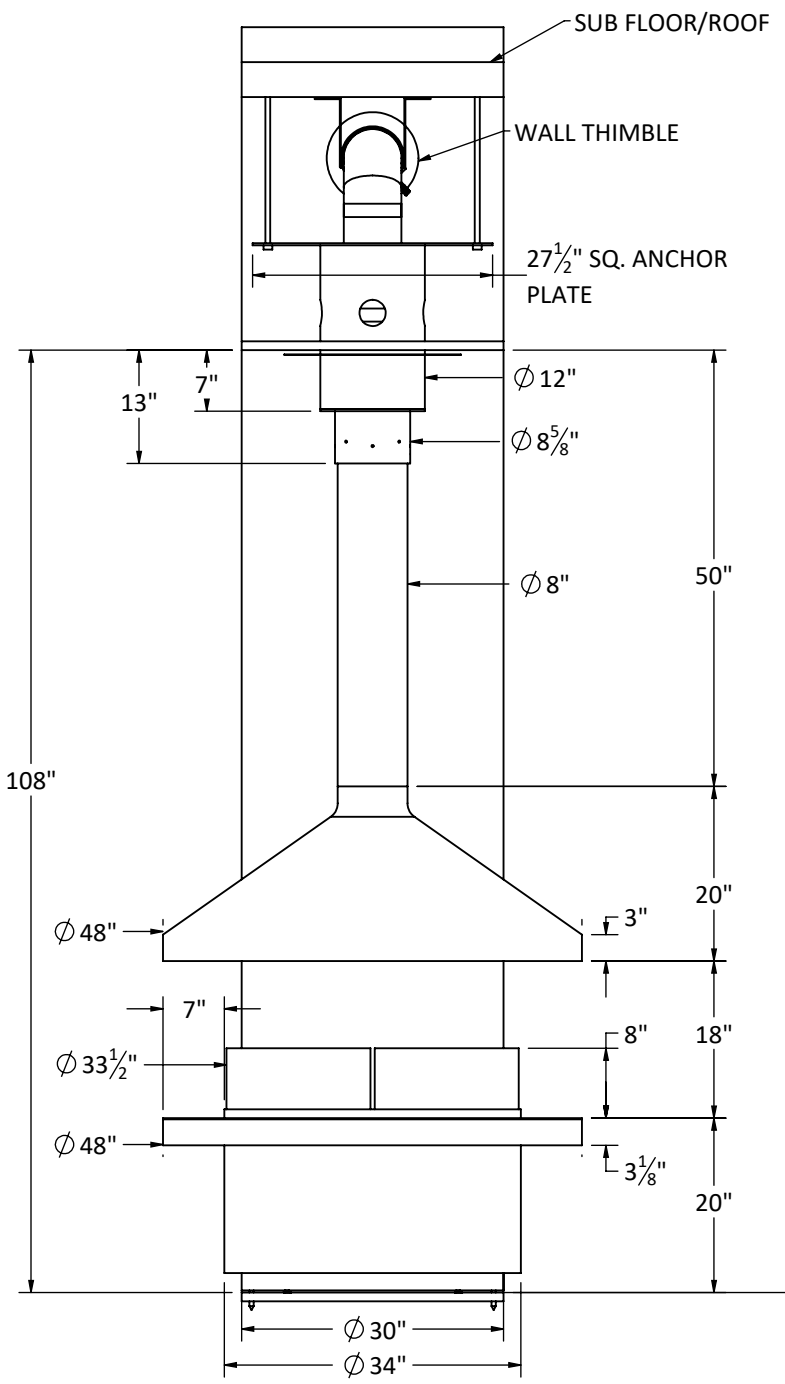
PART NUMBER	REV
	0

DESCRIPTION Assembly		
	NAME	DATE (mm/dd/yyyy)
DRAWN	mpanchal	2020-06-25
CHECKED	MV	2020-06-25
APPROVED	--	NA

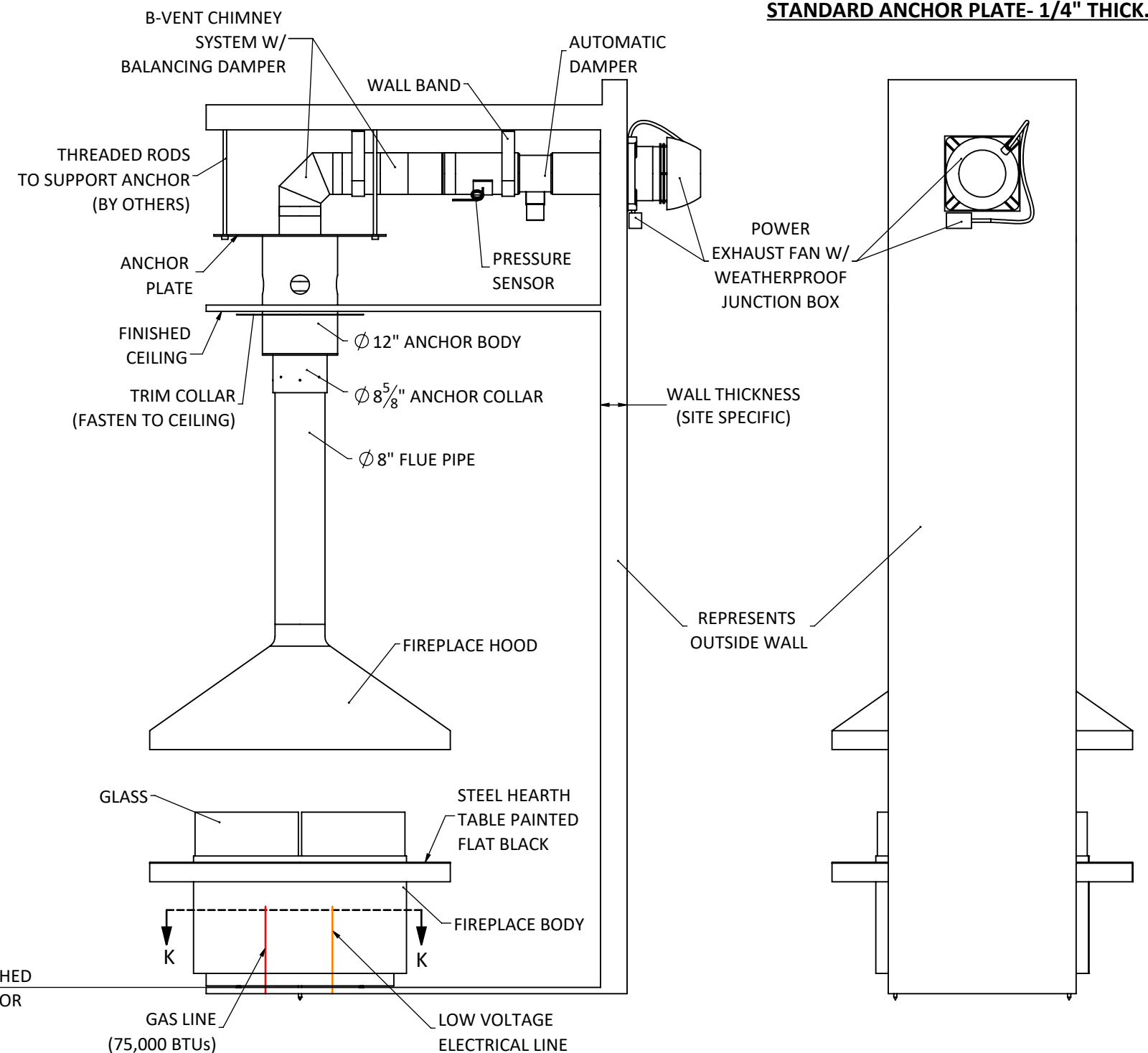
SIZE **B** SHEET 2 OF 7 DO NOT SCALE DRAWING



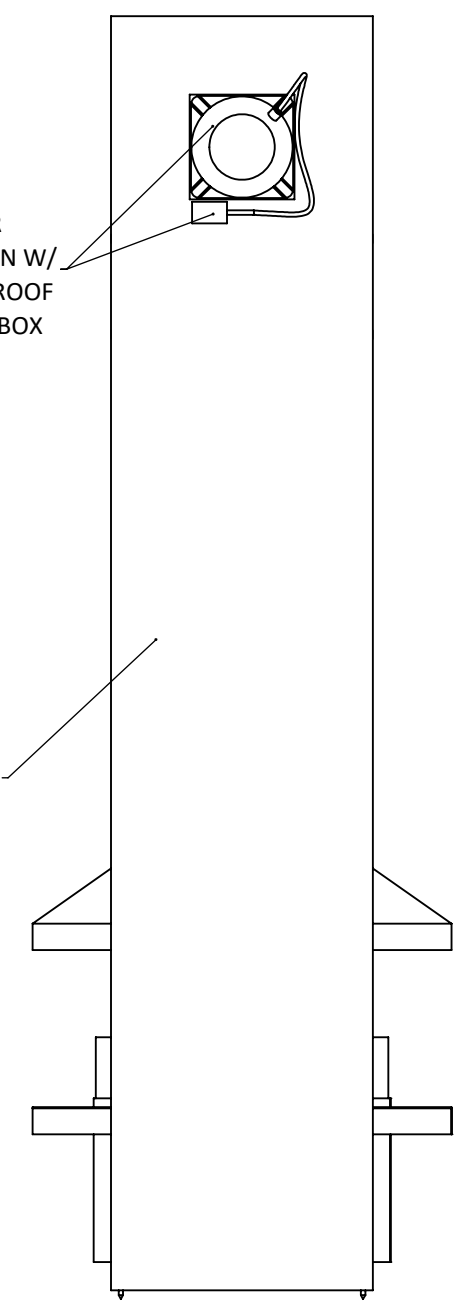
SECTION K-K  
(GAS & ELECTRICAL LINE LOCATION ON FLOOR)



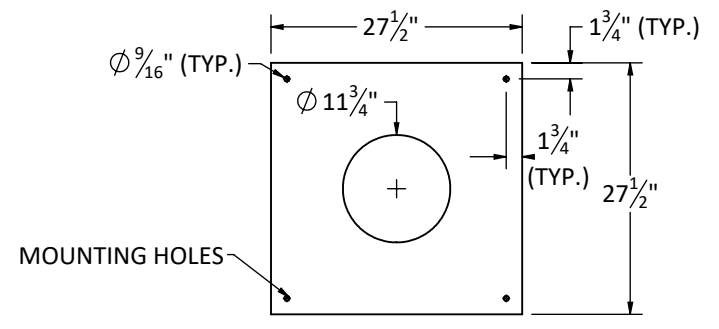
LEFT SIDE ELEVATION



FRONT ELEVATION



RIGHT SIDE ELEVATION



STANDARD ANCHOR PLATE - 1/4" THICK.

**VITA | Fireplaces**  
**BELLA | Suspended Hood with Base Gas Fireplace**  
 North American Designed & Manufactured by:  
**CF + D**  
 custom fireplace design  
 5230 Harvester Rd. Unit # 2  
 Burlington, Ontario Canada L7L 4X4  
 Phone: 905 681-3070 Fax: 905 681-8697

Shown with Standard 9 ft. Flat Ceiling Application & Gas Burner

PROPRIETARY AND CONFIDENTIAL  
 THE INFORMATION CONTAINED IN THIS DRAWING IS THE SOLE PROPERTY OF CUSTOM FIREPLACE DESIGN. ANY REPRODUCTION IN PART OR AS A WHOLE WITHOUT THE WRITTEN PERMISSION OF CUSTOM FIREPLACE DESIGN IS PROHIBITED.

UNLESS OTHERWISE SPECIFIED  
 DIMENSIONS ARE IN INCHES  
 TOLERANCES:  
 FRACTIONAL ± 1/16  
 ANGULAR: MACH ± 1° BEND ± 0.5°  
 TWO PLACE DECIMAL ± 0.01  
 THREE PLACE DECIMAL ± 0.005

PROJECT  
**BELLA | Suspended Hood with Base Gas Fireplace**

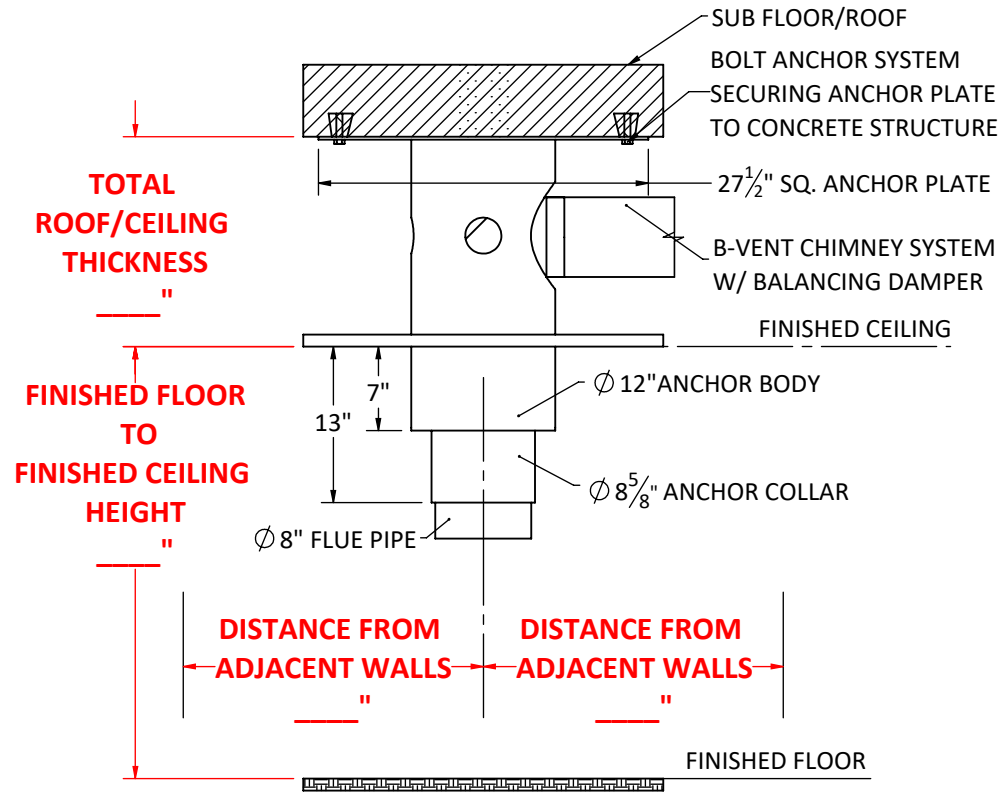
PART NUMBER REV  
 0

DESCRIPTION  
 Specifications

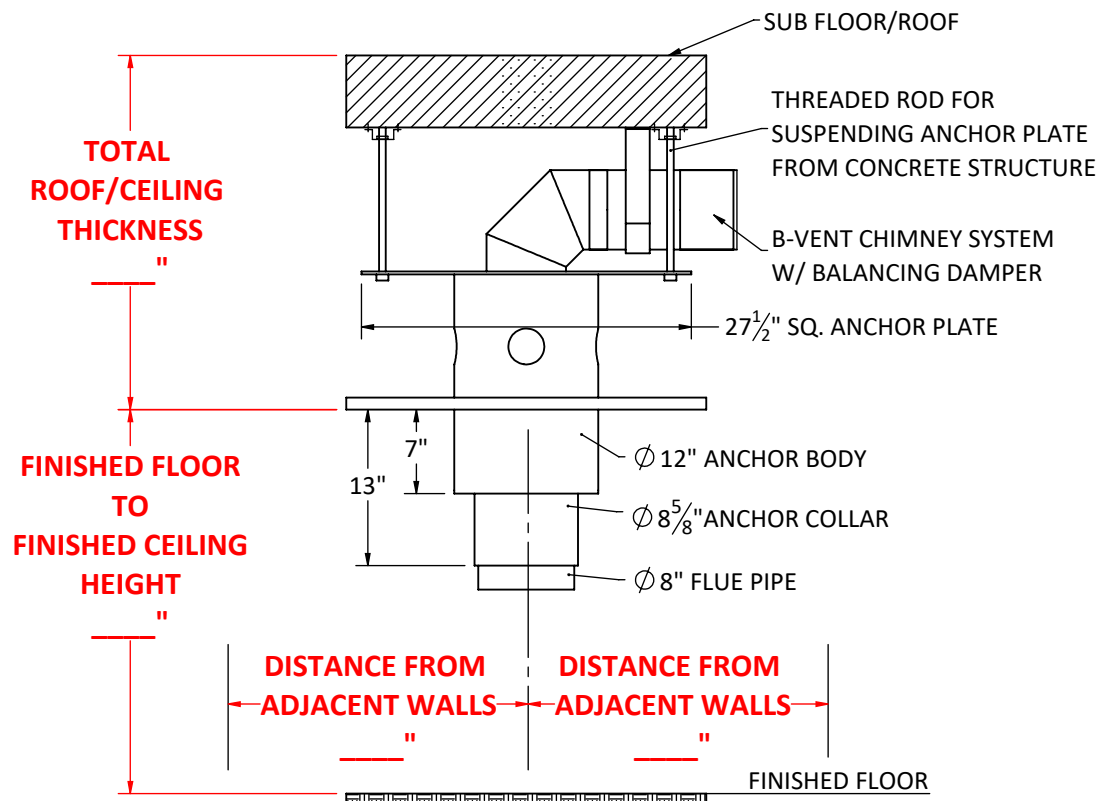
	NAME	DATE (mm/dd/yyyy)
DRAWN	mpanchal	2020-06-25
CHECKED	MV	2020-06-25
APPROVED	--	NA

SIZE **B** SHEET 3 OF 7 DO NOT SCALE DRAWING

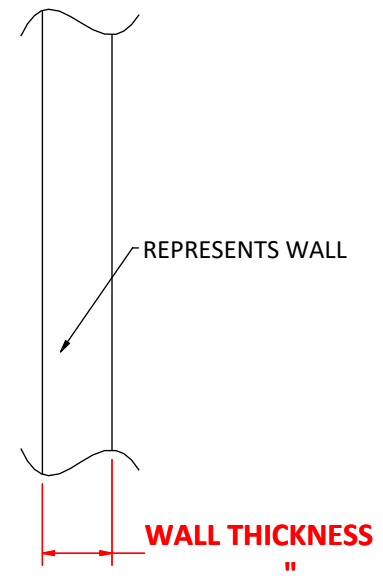
**CUSTOM ANCHOR OPTIONS AVAILABLE (FILL IN THE BLANKS AS PER SITE SPECIFIC DETAILS)**



**OPTION A - ATTACHED BELOW CONCRETE**



**OPTION B - SUSPENDED FROM CONCRETE**



**VITA | Fireplaces**

**BELLA |** Suspended Hood with Base Gas Fireplace

North American Designed & Manufactured by:

**CF + D**

custom fireplace design

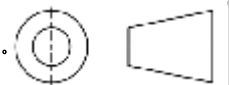
5230 Harvester Rd. Unit # 2  
Burlington, Ontario Canada L7L 4X4  
Phone: 905 681-3070 Fax: 905 681-8697

PROPRIETARY AND CONFIDENTIAL

THE INFORMATION CONTAINED IN THIS DRAWING IS THE SOLE PROPERTY OF CUSTOM FIREPLACE DESIGN. ANY REPRODUCTION IN PART OR AS A WHOLE WITHOUT THE WRITTEN PERMISSION OF CUSTOM FIREPLACE DESIGN IS PROHIBITED.

UNLESS OTHERWISE SPECIFIED

DIMENSIONS ARE IN INCHES  
TOLERANCES:  
FRACTIONAL ± 1/16  
ANGULAR: MACH ± 1° BEND ± 0.5°  
TWO PLACE DECIMAL ± 0.01  
THREE PLACE DECIMAL ± 0.005



PROJECT

BELLA | Suspended Hood with Base Gas Fireplace

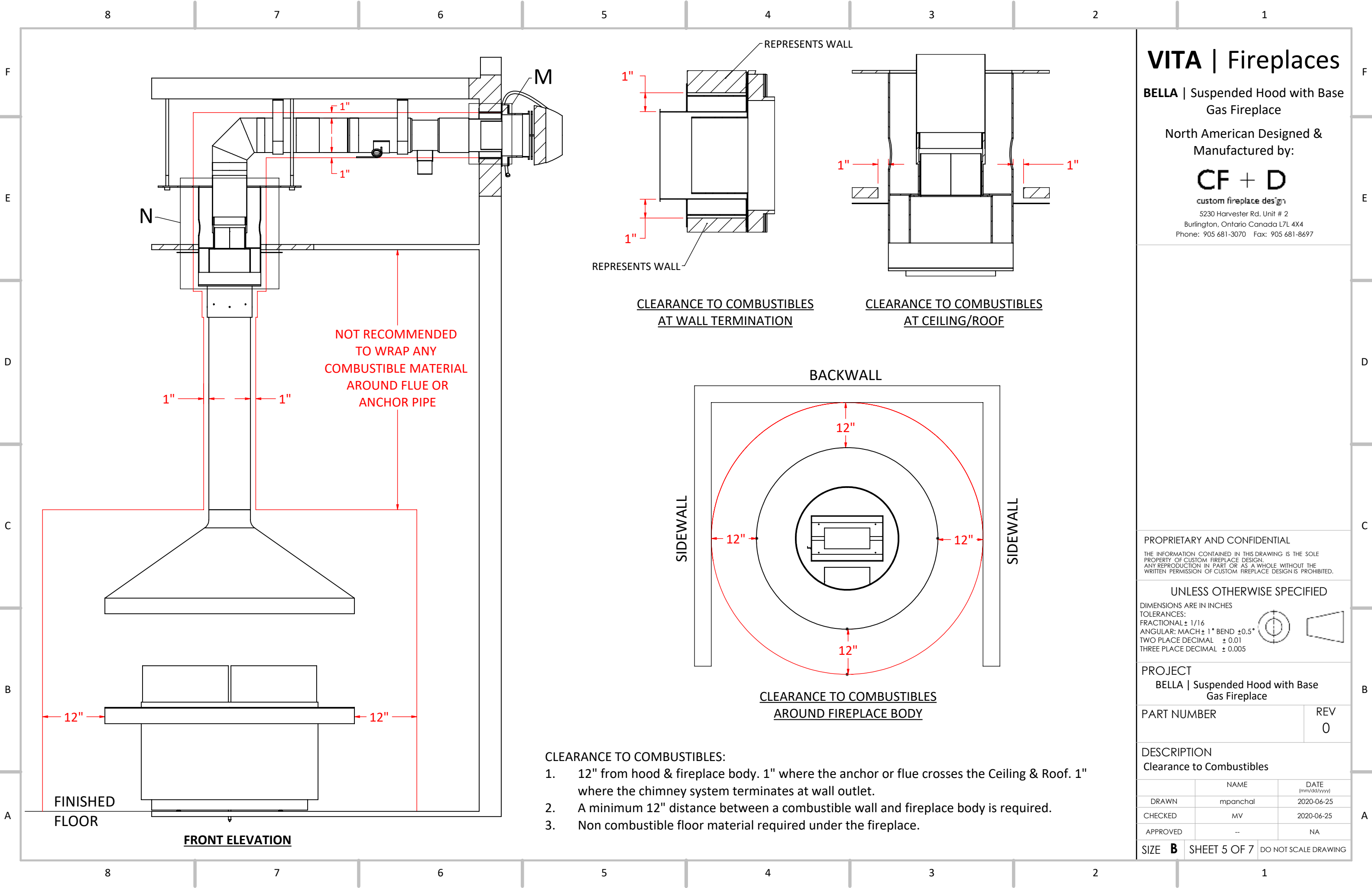
PART NUMBER

REV  
0

DESCRIPTION  
Anchor Options

	NAME	DATE (mm/dd/yyyy)
DRAWN	mpanchal	2020-06-25
CHECKED	MV	2020-06-25
APPROVED	--	NA

SIZE **B** SHEET 4 OF 7 DO NOT SCALE DRAWING



**VITA | Fireplaces**  
**BELLA | Suspended Hood with Base Gas Fireplace**  
 North American Designed & Manufactured by:  
**CF + D**  
 custom fireplace design  
 5230 Harvester Rd. Unit # 2  
 Burlington, Ontario Canada L7L 4X4  
 Phone: 905 681-3070 Fax: 905 681-8697

PROPRIETARY AND CONFIDENTIAL  
 THE INFORMATION CONTAINED IN THIS DRAWING IS THE SOLE PROPERTY OF CUSTOM FIREPLACE DESIGN. ANY REPRODUCTION IN PART OR AS A WHOLE WITHOUT THE WRITTEN PERMISSION OF CUSTOM FIREPLACE DESIGN IS PROHIBITED.

UNLESS OTHERWISE SPECIFIED  
 DIMENSIONS ARE IN INCHES  
 TOLERANCES:  
 FRACTIONAL ± 1/16  
 ANGULAR: MACH ± 1° BEND ± 0.5°  
 TWO PLACE DECIMAL ± 0.01  
 THREE PLACE DECIMAL ± 0.005

PROJECT  
**BELLA | Suspended Hood with Base Gas Fireplace**

PART NUMBER REV  
 0 0

DESCRIPTION  
 Clearance to Combustibles

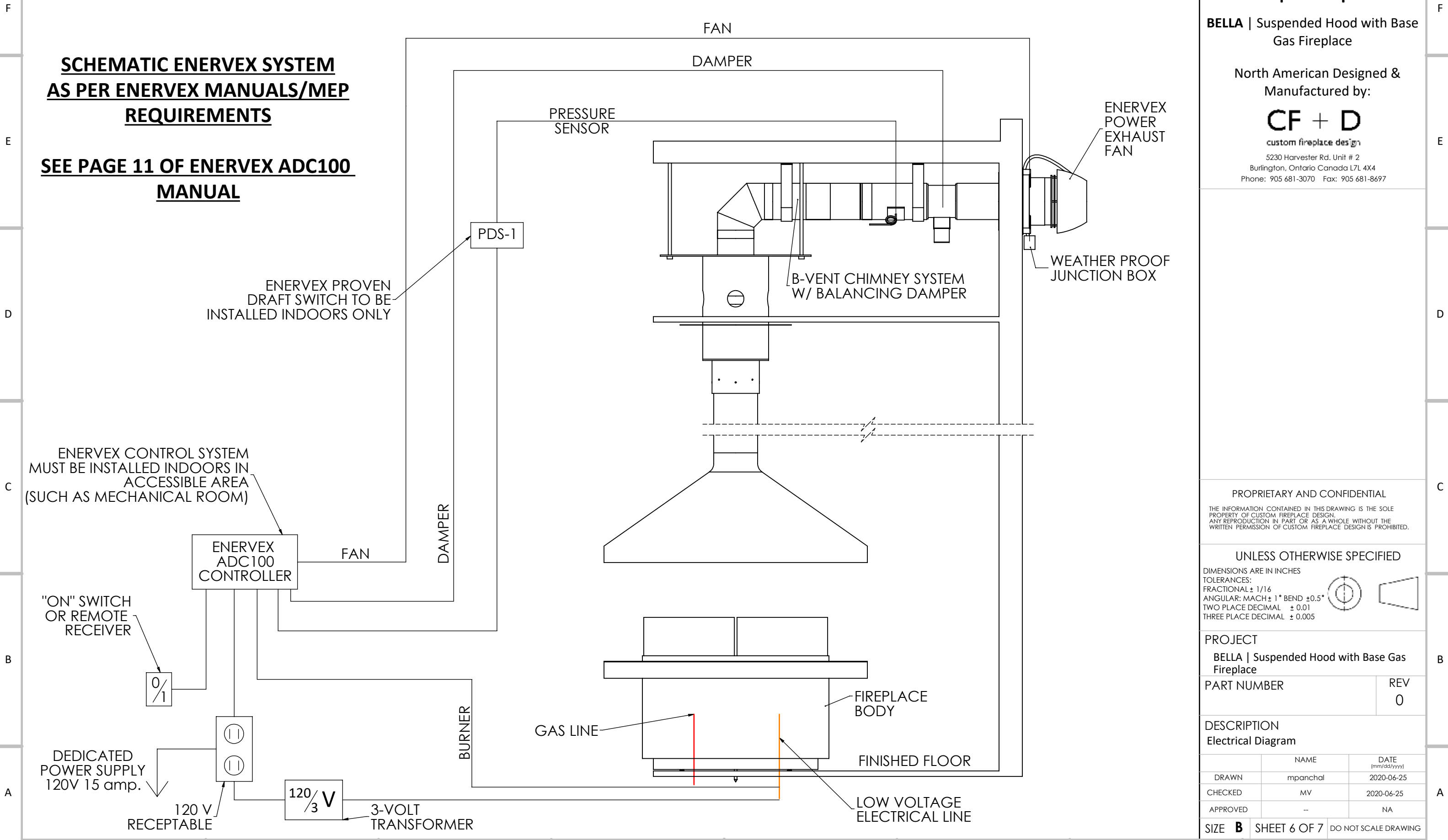
	NAME	DATE (mm/dd/yyyy)
DRAWN	mpanchal	2020-06-25
CHECKED	MV	2020-06-25
APPROVED	--	NA

SIZE **B** SHEET 5 OF 7 DO NOT SCALE DRAWING

- CLEARANCE TO COMBUSTIBLES:**
- 12" from hood & fireplace body. 1" where the anchor or flue crosses the Ceiling & Roof. 1" where the chimney system terminates at wall outlet.
  - A minimum 12" distance between a combustible wall and fireplace body is required.
  - Non combustible floor material required under the fireplace.

# TYPICAL VITA GAS ENERVEX ELECTRICAL DIAGRAM

**SCHEMATIC ENERVEX SYSTEM**  
**AS PER ENERVEX MANUALS/MEP**  
**REQUIREMENTS**  
**SEE PAGE 11 OF ENERVEX ADC100**  
**MANUAL**



## VITA | Fireplaces

**BELLA | Suspended Hood with Base Gas Fireplace**

North American Designed & Manufactured by:

**CF + D**

custom fireplace design

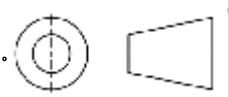
5230 Harvester Rd. Unit # 2  
 Burlington, Ontario Canada L7L 4X4  
 Phone: 905 681-3070 Fax: 905 681-8697

PROPRIETARY AND CONFIDENTIAL

THE INFORMATION CONTAINED IN THIS DRAWING IS THE SOLE PROPERTY OF CUSTOM FIREPLACE DESIGN. ANY REPRODUCTION IN PART OR AS A WHOLE WITHOUT THE WRITTEN PERMISSION OF CUSTOM FIREPLACE DESIGN IS PROHIBITED.

UNLESS OTHERWISE SPECIFIED

DIMENSIONS ARE IN INCHES  
 TOLERANCES:  
 FRACTIONAL ± 1/16  
 ANGULAR: MACH ± 1° BEND ± 0.5°  
 TWO PLACE DECIMAL ± 0.01  
 THREE PLACE DECIMAL ± 0.005



**PROJECT**  
 BELLA | Suspended Hood with Base Gas Fireplace

<b>PART NUMBER</b>	<b>REV</b>
	0

**DESCRIPTION**  
 Electrical Diagram

	NAME	DATE (mm/dd/yyyy)
DRAWN	mpanchal	2020-06-25
CHECKED	MV	2020-06-25
APPROVED	--	NA

SIZE **B** SHEET 6 OF 7 DO NOT SCALE DRAWING

# VITA | Fireplaces

**BELLA |** Suspended Hood with Base Gas Fireplace

North American Designed & Manufactured by:

**CF + D**

custom fireplace design

5230 Harvester Rd. Unit # 2  
Burlington, Ontario Canada L7L 4X4  
Phone: 905 681-3070 Fax: 905 681-8697

Shown with Standard 9 ft. Flat Ceiling Application & Gas Burner Custom Lengths & Anchor Options Available

PROPRIETARY AND CONFIDENTIAL

THE INFORMATION CONTAINED IN THIS DRAWING IS THE SOLE PROPERTY OF CUSTOM FIREPLACE DESIGN. ANY REPRODUCTION IN PART OR AS A WHOLE WITHOUT THE WRITTEN PERMISSION OF CUSTOM FIREPLACE DESIGN IS PROHIBITED.

UNLESS OTHERWISE SPECIFIED

DIMENSIONS ARE IN INCHES  
TOLERANCES:  
FRACTIONAL:  $\pm 1/16$   
ANGULAR: MACH  $\pm 1^\circ$  BEND  $\pm 0.5^\circ$   
TWO PLACE DECIMAL  $\pm 0.01$   
THREE PLACE DECIMAL  $\pm 0.005$

PROJECT  
BELLA | Suspended Hood with Base Gas Fireplace

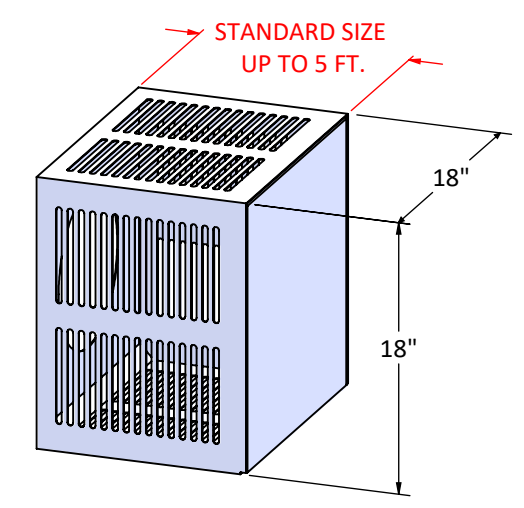
PART NUMBER	REV
	0

DESCRIPTION  
Optional Decorative Cover

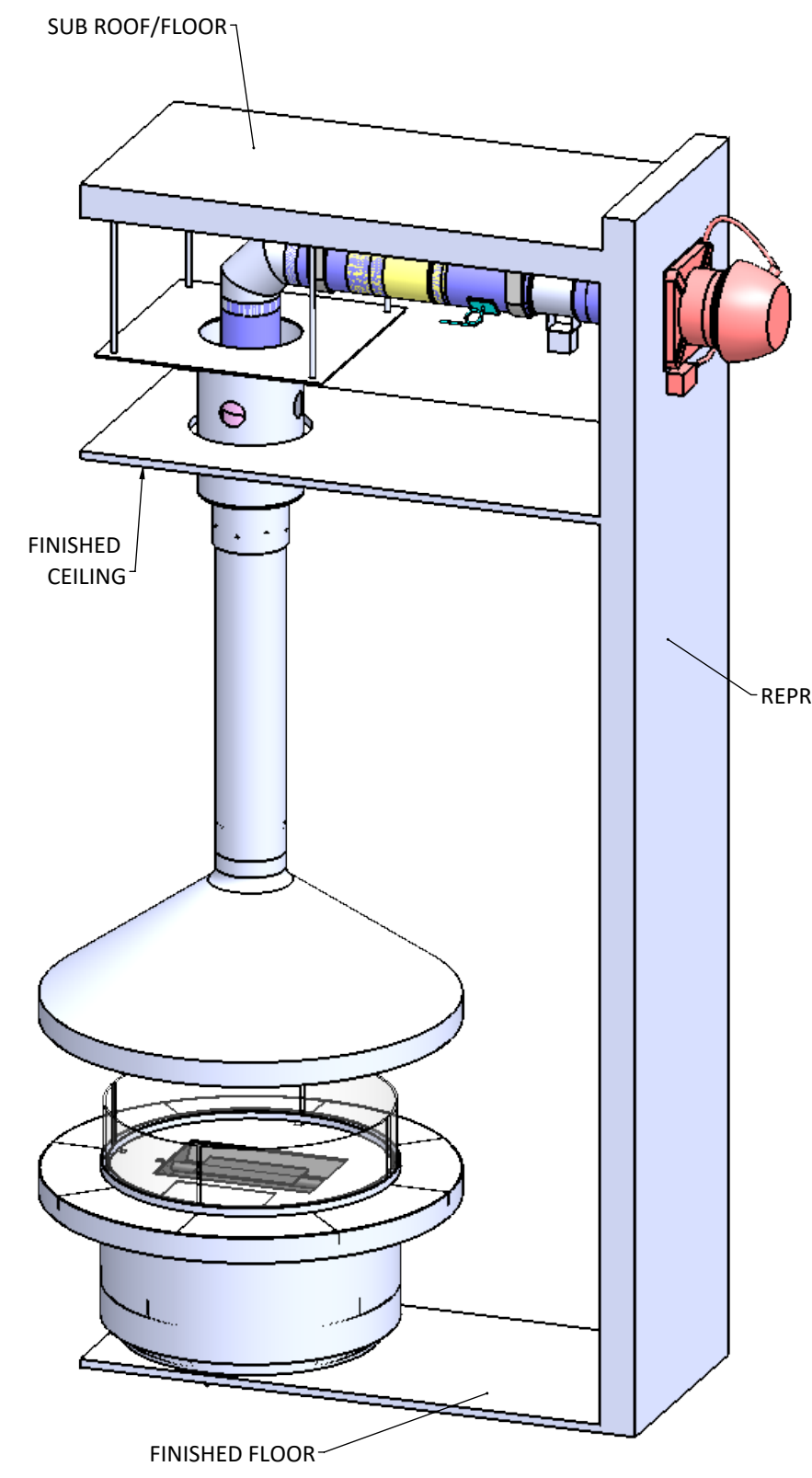
	NAME	DATE (mm/dd/yyyy)
DRAWN	mpanchal	2020-06-25
CHECKED	MV	2020-06-25
APPROVED	--	NA

SIZE **B** SHEET 7 OF 7 DO NOT SCALE DRAWING

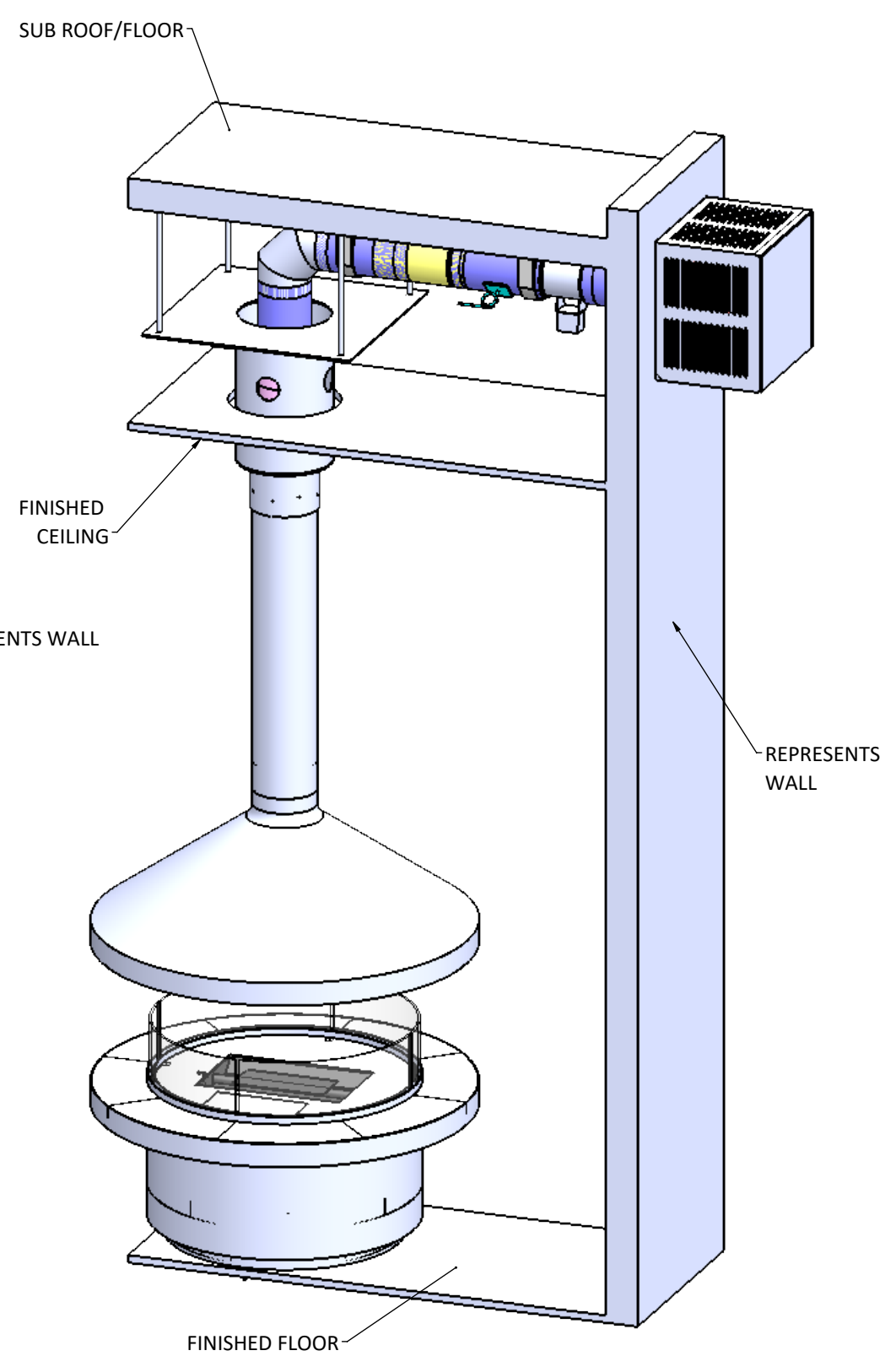
## OPTIONAL DECORATIVE CHIMNEY COVER (SQUARE)



OPTIONAL DECORATIVE CHIMNEY COVER (SQUARE)



WITHOUT DECORATIVE CHIMNEY COVER



WITH DECORATIVE CHIMNEY COVER