

VITA | Fireplaces

North American Designed & Manufactured by **CF + D** | custom fireplace design



CALLISTA Single-Sided | Suspended Gas Fireplace

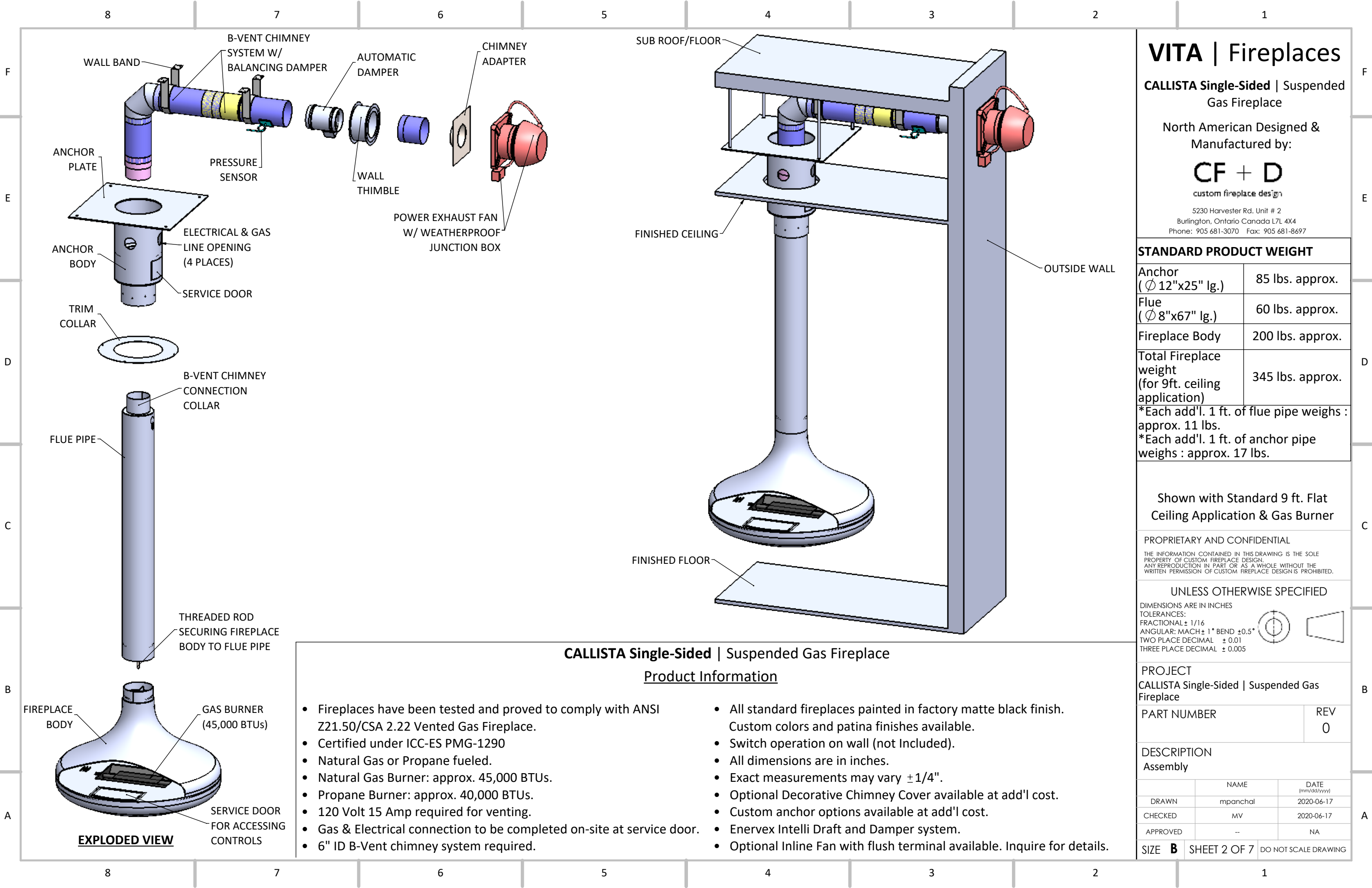


Fireplaces have been tested and proved to comply with ANSI Z21.50/CSA 2.22 Vented Gas Fireplace. Certified under: ICC-ES PMG-1290

PRODUCT LAYOUT PACKAGE (HORIZONTAL TERMINATION)

2020-06-17

CF + D | custom fireplace design
www.customfireplacedesign.com



VITA | Fireplaces
CALLISTA Single-Sided | Suspended Gas Fireplace
 North American Designed & Manufactured by:
CF + D
 custom fireplace design
 5230 Harvester Rd. Unit # 2
 Burlington, Ontario Canada L7L 4X4
 Phone: 905 681-3070 Fax: 905 681-8697

STANDARD PRODUCT WEIGHT

Anchor (Ø 12"x25" lg.)	85 lbs. approx.
Flue (Ø 8"x67" lg.)	60 lbs. approx.
Fireplace Body	200 lbs. approx.
Total Fireplace weight (for 9ft. ceiling application)	345 lbs. approx.

*Each add'l. 1 ft. of flue pipe weighs : approx. 11 lbs.
 *Each add'l. 1 ft. of anchor pipe weighs : approx. 17 lbs.

Shown with Standard 9 ft. Flat Ceiling Application & Gas Burner

PROPRIETARY AND CONFIDENTIAL
 THE INFORMATION CONTAINED IN THIS DRAWING IS THE SOLE PROPERTY OF CUSTOM FIREPLACE DESIGN. ANY REPRODUCTION IN PART OR AS A WHOLE WITHOUT THE WRITTEN PERMISSION OF CUSTOM FIREPLACE DESIGN IS PROHIBITED.

UNLESS OTHERWISE SPECIFIED
 DIMENSIONS ARE IN INCHES
 TOLERANCES:
 FRACTIONAL ± 1/16
 ANGULAR: MACH ± 1° BEND ± 0.5°
 TWO PLACE DECIMAL ± 0.01
 THREE PLACE DECIMAL ± 0.005

CALLISTA Single-Sided | Suspended Gas Fireplace
Product Information

- Fireplaces have been tested and proved to comply with ANSI Z21.50/CSA 2.22 Vented Gas Fireplace.
- Certified under ICC-ES PMG-1290
- Natural Gas or Propane fueled.
- Natural Gas Burner: approx. 45,000 BTUs.
- Propane Burner: approx. 40,000 BTUs.
- 120 Volt 15 Amp required for venting.
- Gas & Electrical connection to be completed on-site at service door.
- 6" ID B-Vent chimney system required.
- All standard fireplaces painted in factory matte black finish. Custom colors and patina finishes available.
- Switch operation on wall (not Included).
- All dimensions are in inches.
- Exact measurements may vary ± 1/4".
- Optional Decorative Chimney Cover available at add'l cost.
- Custom anchor options available at add'l cost.
- Enervex Intelli Draft and Damper system.
- Optional Inline Fan with flush terminal available. Inquire for details.

PROJECT
 CALLISTA Single-Sided | Suspended Gas Fireplace

PART NUMBER	REV
	0

DESCRIPTION
 Assembly

	NAME	DATE (mm/dd/yyyy)
DRAWN	mpanchal	2020-06-17
CHECKED	MV	2020-06-17
APPROVED	--	NA

SIZE **B** SHEET 2 OF 7 DO NOT SCALE DRAWING

EXPLODED VIEW

VITA | Fireplaces

CALLISTA Single-Sided | Suspended Gas Fireplace

North American Designed & Manufactured by:

CF + D

custom fireplace design

5230 Harvester Rd. Unit # 2
Burlington, Ontario Canada L7L 4X4
Phone: 905 681-3070 Fax: 905 681-8697

PROPRIETARY AND CONFIDENTIAL
THE INFORMATION CONTAINED IN THIS DRAWING IS THE SOLE PROPERTY OF CUSTOM FIREPLACE DESIGN. ANY REPRODUCTION IN PART OR AS A WHOLE WITHOUT THE WRITTEN PERMISSION OF CUSTOM FIREPLACE DESIGN IS PROHIBITED.

UNLESS OTHERWISE SPECIFIED
DIMENSIONS ARE IN INCHES
TOLERANCES:
FRACTIONAL: ± 1/16
ANGULAR: MACH ± 1° BEND ± 0.5°
TWO PLACE DECIMAL ± 0.01
THREE PLACE DECIMAL ± 0.005

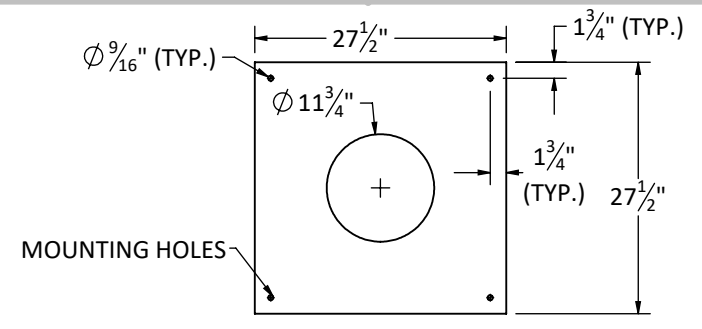
PROJECT
CALLISTA Single-Sided | Suspended Gas Fireplace

PART NUMBER	REV
	0

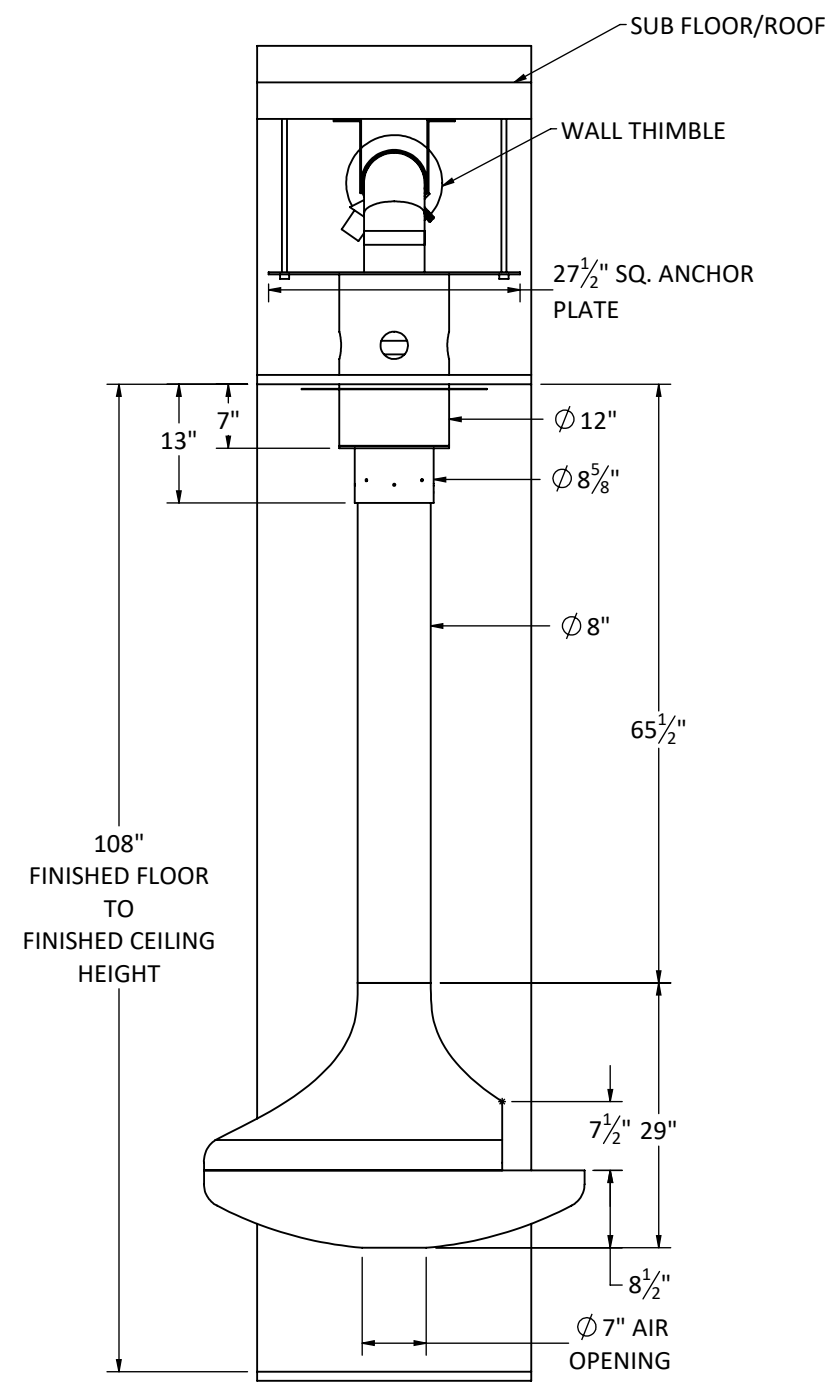
DESCRIPTION
Specifications

	NAME	DATE (mm/dd/yyyy)
DRAWN	mpanchal	2020-06-17
CHECKED	MV	2020-06-17
APPROVED	--	NA

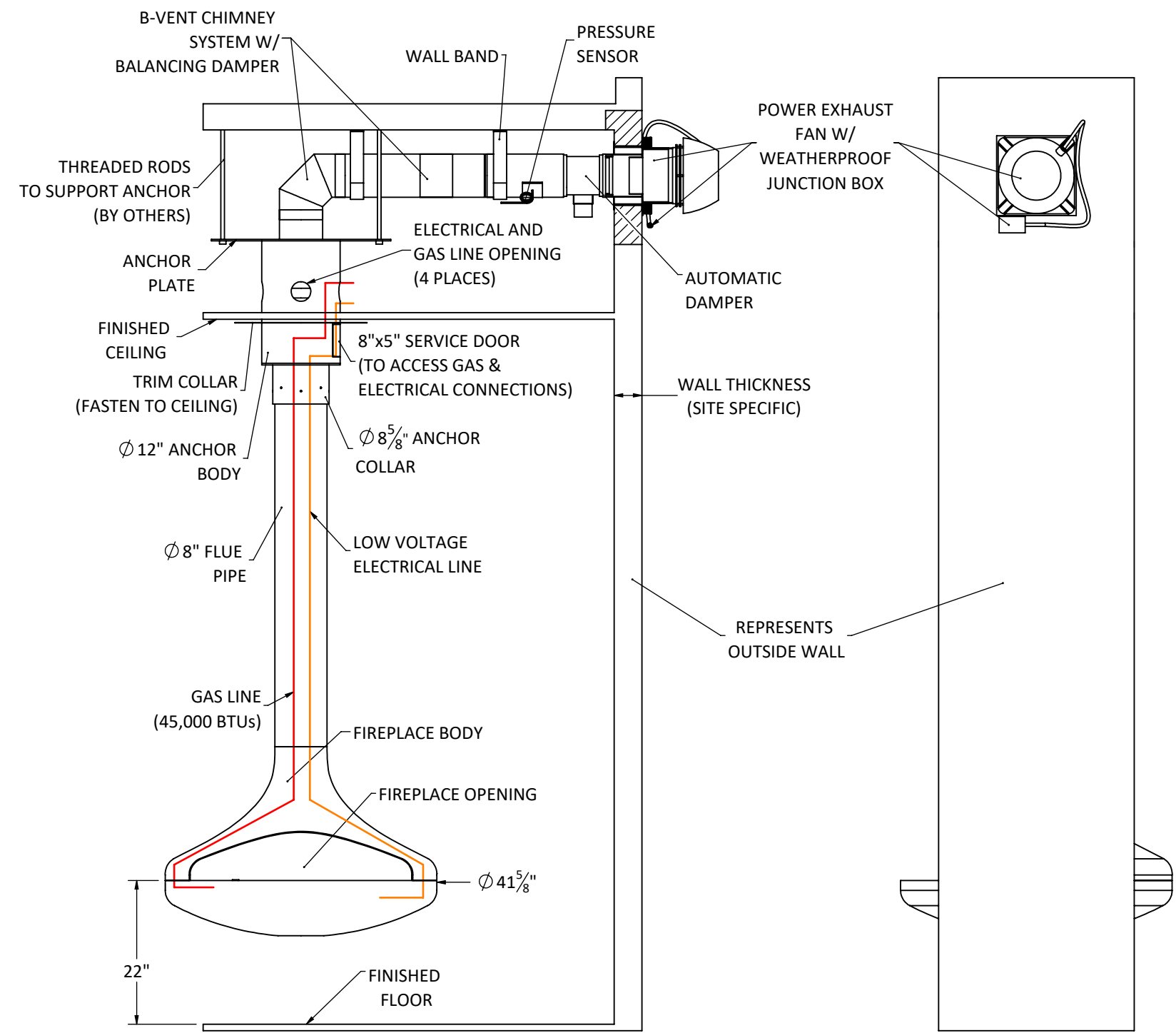
SIZE **B** SHEET 3 OF 7 DO NOT SCALE DRAWING



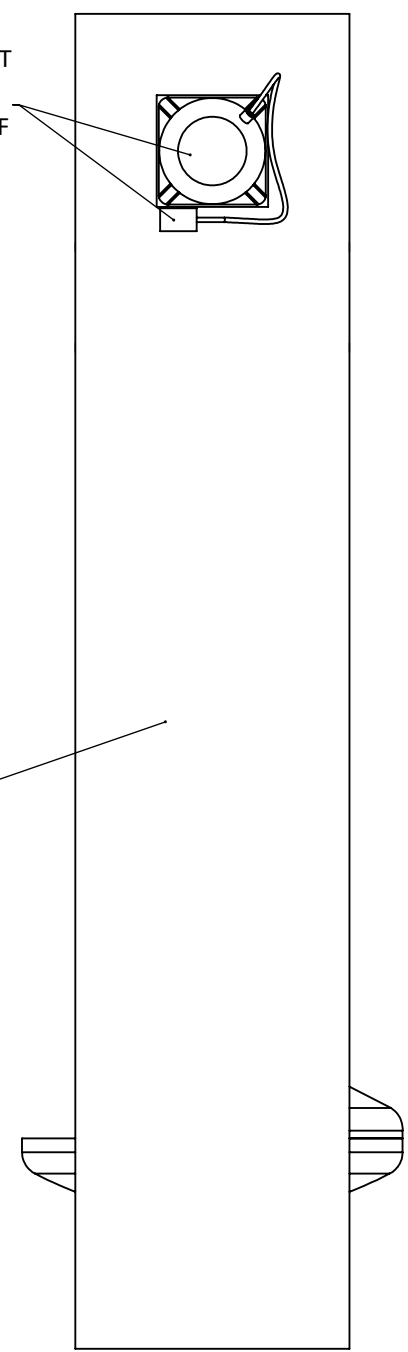
STANDARD ANCHOR PLATE- 1/4" THICK.



LEFT SIDE ELEVATION



FRONT ELEVATION



RIGHT SIDE ELEVATION

CUSTOM ANCHOR OPTIONS AVAILABLE (FILL IN THE BLANKS AS PER SITE SPECIFIC DETAILS)

VITA | Fireplaces

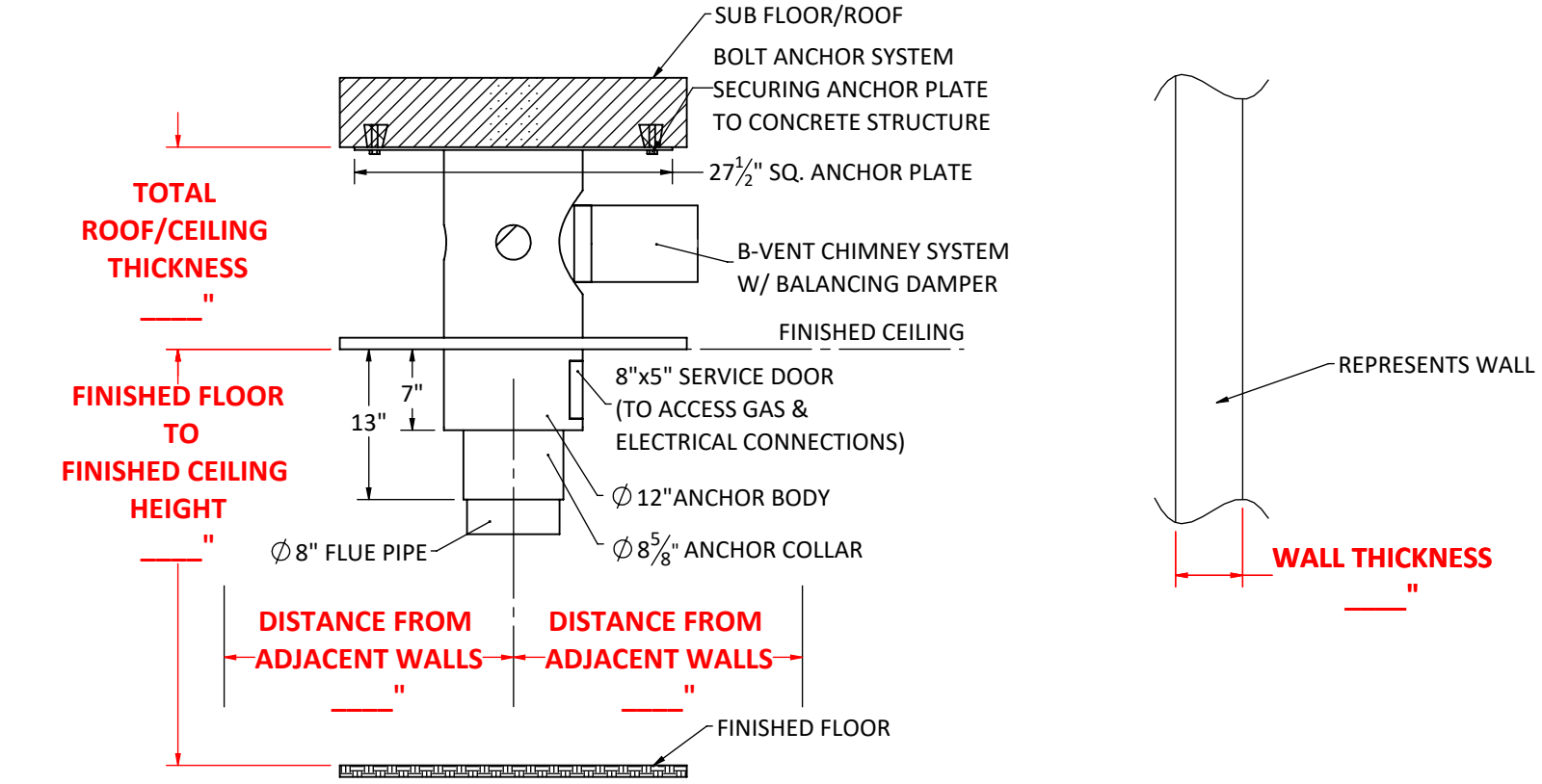
CALLISTA Single-Sided | Suspended Gas Fireplace

North American Designed & Manufactured by:

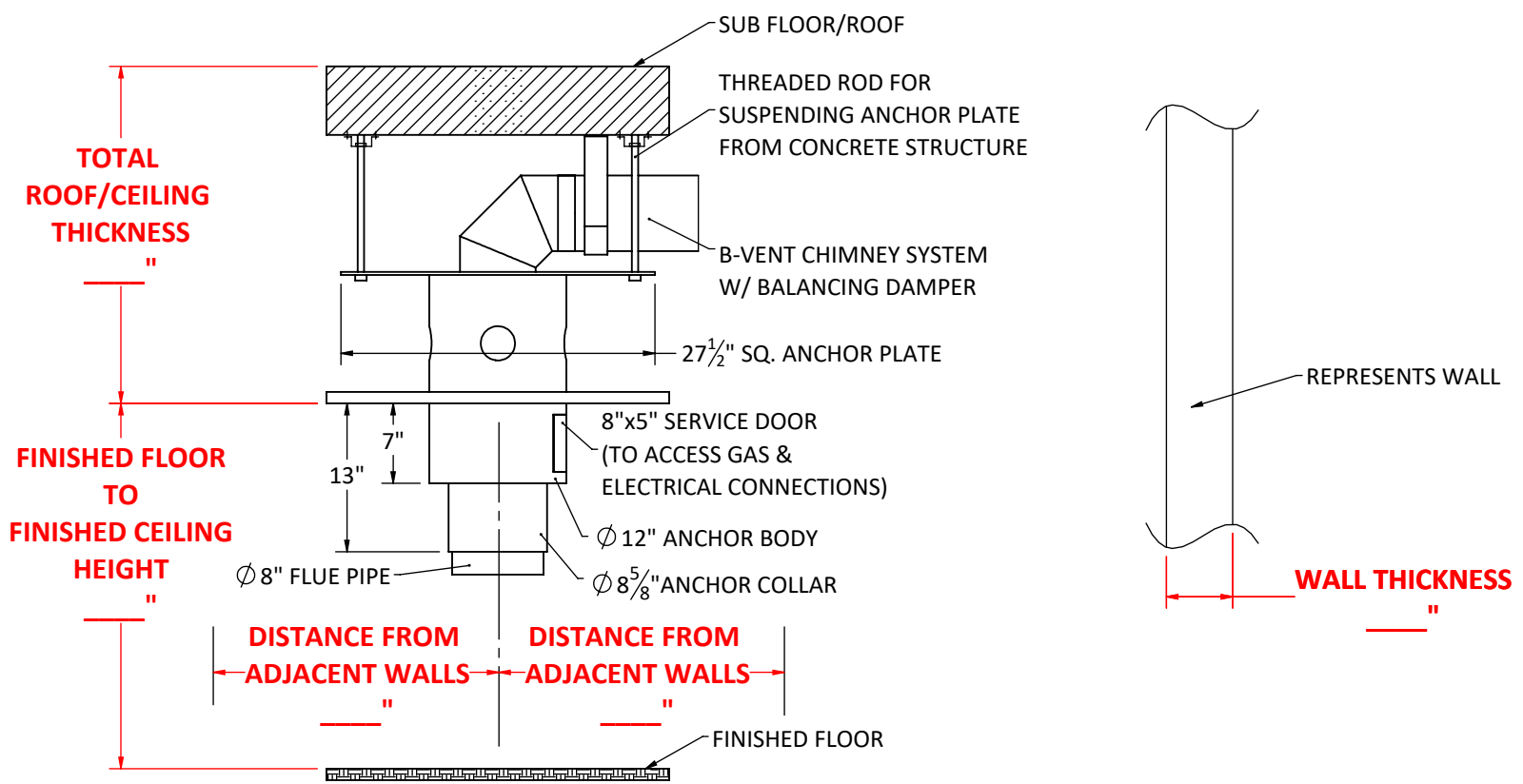


5230 Harvester Rd. Unit # 2
Burlington, Ontario Canada L7L 4X4
Phone: 905 681-3070 Fax: 905 681-8697

F
E
D
C
B
A



OPTION A - ATTACHED BELOW CONCRETE



OPTION B - SUSPENDED FROM CONCRETE

PROPRIETARY AND CONFIDENTIAL
THE INFORMATION CONTAINED IN THIS DRAWING IS THE SOLE PROPERTY OF CUSTOM FIREPLACE DESIGN. ANY REPRODUCTION IN PART OR AS A WHOLE WITHOUT THE WRITTEN PERMISSION OF CUSTOM FIREPLACE DESIGN IS PROHIBITED.

UNLESS OTHERWISE SPECIFIED
DIMENSIONS ARE IN INCHES
TOLERANCES:
FRACTIONAL ± 1/16
ANGULAR: MACH ± 1° BEND ± 0.5°
TWO PLACE DECIMAL ± 0.01
THREE PLACE DECIMAL ± 0.005

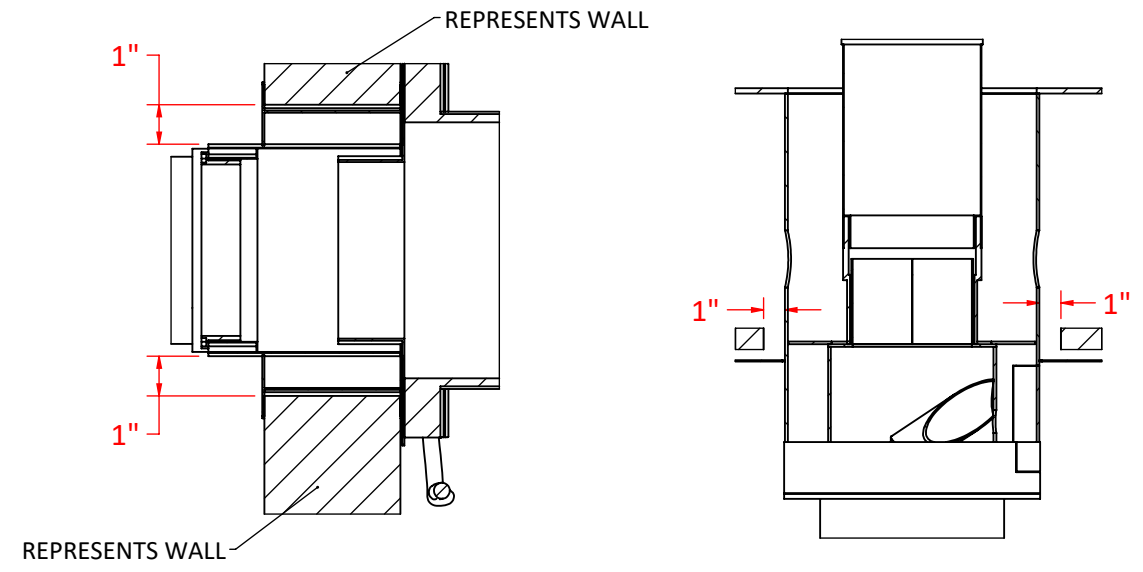
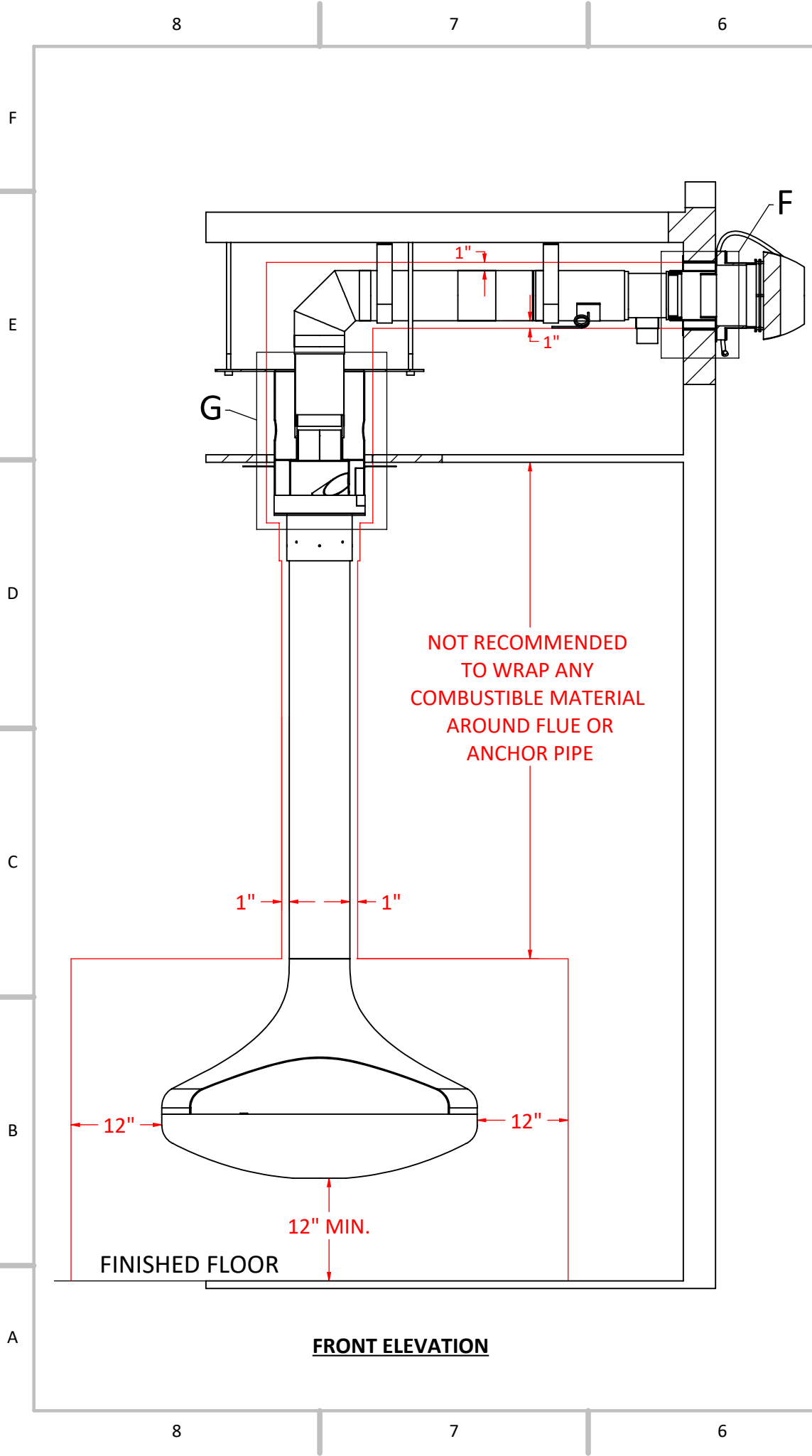
PROJECT
CALLISTA Single-Sided | Suspended Gas Fireplace

PART NUMBER	REV
	0

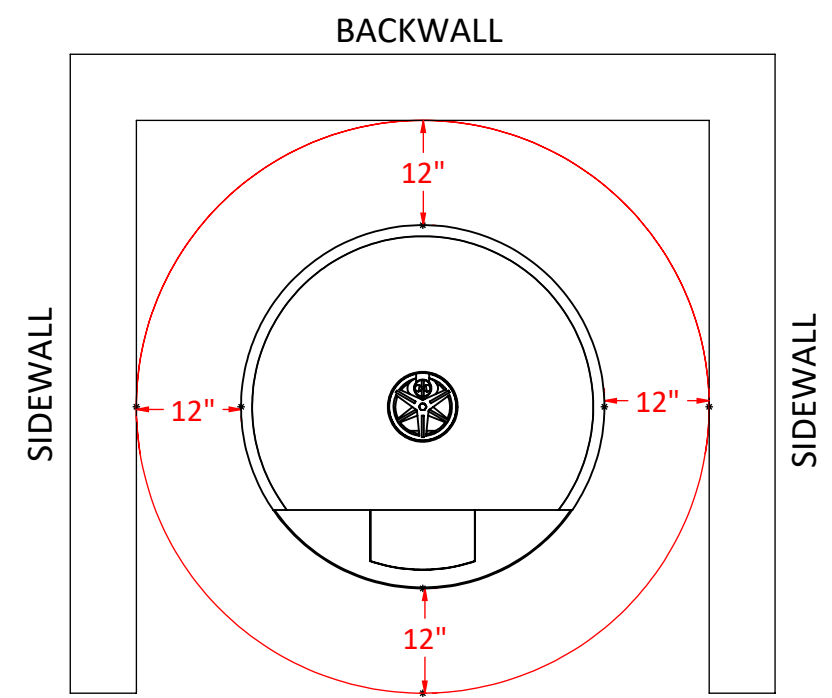
DESCRIPTION
Anchor Options

	NAME	DATE (mm/dd/yyyy)
DRAWN	mpanchal	2020-06-17
CHECKED	MV	2020-06-17
APPROVED	--	NA

SIZE **B** SHEET 4 OF 7 DO NOT SCALE DRAWING



CLEARANCE TO COMBUSTIBLES AT WALL TERMINATION CLEARANCE TO COMBUSTIBLES AT CEILING



CLEARANCE TO COMBUSTIBLES AROUND FIREPLACE BODY

- CLEARANCE TO COMBUSTIBLES:**
- 12" from floor to the bottom of the fireplace.
 - A minimum 12" distance between a combustible wall and fireplace body is required.
 - 1" where the anchor or flue crosses the Ceiling & Roof.
 - 1" where the chimney system terminates at wall outlet.

VITA | Fireplaces
CALLISTA Single-Sided | Suspended Gas Fireplace
 North American Designed & Manufactured by:
CF + D
 custom fireplace design
 5230 Harvester Rd. Unit # 2
 Burlington, Ontario Canada L7L 4X4
 Phone: 905 681-3070 Fax: 905 681-8697

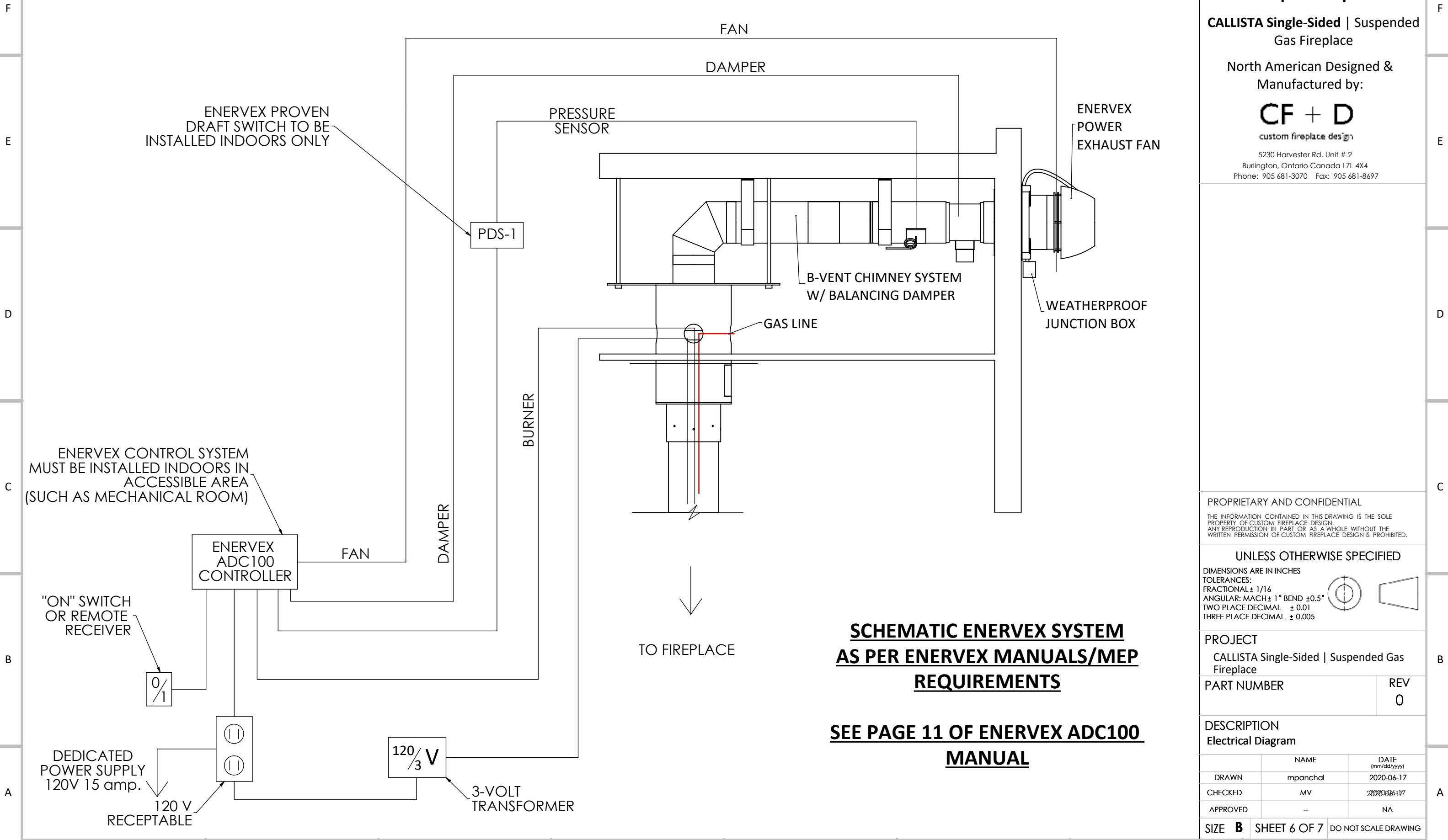
PROPRIETARY AND CONFIDENTIAL
 THE INFORMATION CONTAINED IN THIS DRAWING IS THE SOLE PROPERTY OF CUSTOM FIREPLACE DESIGN. ANY REPRODUCTION IN PART OR AS A WHOLE WITHOUT THE WRITTEN PERMISSION OF CUSTOM FIREPLACE DESIGN IS PROHIBITED.

UNLESS OTHERWISE SPECIFIED
 DIMENSIONS ARE IN INCHES
 TOLERANCES:
 FRACTIONAL ± 1/16
 ANGULAR: MACH ± 1° BEND ± 0.5°
 TWO PLACE DECIMAL ± 0.01
 THREE PLACE DECIMAL ± 0.005

PROJECT	
CALLISTA Single-Sided Suspended Gas Fireplace	
PART NUMBER	REV
	0

DESCRIPTION		
Clearance to Combustibles		
	NAME	DATE
		(mm/dd/yyyy)
DRAWN	mpanchal	2020-06-17
CHECKED	MV	2020-06-17
APPROVED	--	NA
SIZE B	SHEET 5 OF 7	DO NOT SCALE DRAWING

TYPICAL VITA GAS ENERVEX ELECTRICAL DIAGRAM



**SCHEMATIC ENERVEX SYSTEM
AS PER ENERVEX MANUALS/MEP
REQUIREMENTS**

**SEE PAGE 11 OF ENERVEX ADC100
MANUAL**

VITA | Fireplaces

CALLISTA Single-Sided | Suspended Gas Fireplace

North American Designed & Manufactured by:



5230 Harvester Rd. Unit # 2
Burlington, Ontario Canada L7L 4X4
Phone: 905 681-3070 Fax: 905 681-8697

PROPRIETARY AND CONFIDENTIAL
THE INFORMATION CONTAINED IN THIS DRAWING IS THE SOLE PROPERTY OF CUSTOM FIREPLACE DESIGN. ANY REPRODUCTION IN PART OR AS A WHOLE WITHOUT THE WRITTEN PERMISSION OF CUSTOM FIREPLACE DESIGN IS PROHIBITED.

UNLESS OTHERWISE SPECIFIED
DIMENSIONS ARE IN INCHES
TOLERANCES:
FRACTIONAL ± 1/16
ANGULAR: MACH ± 1° BEND ± 0.5°
TWO PLACE DECIMAL ± 0.01
THREE PLACE DECIMAL ± 0.005

PROJECT
CALLISTA Single-Sided | Suspended Gas Fireplace

PART NUMBER	REV
	0

DESCRIPTION
Electrical Diagram

	NAME	DATE (mm/dd/yyyy)
DRAWN	mpanchal	2020-06-17
CHECKED	MV	2020-06-17
APPROVED	--	NA

SIZE **B** SHEET 6 OF 7 DO NOT SCALE DRAWING

VITA | Fireplaces

CALLISTA Single-Sided | Suspended Gas Fireplace

North American Designed & Manufactured by:

CF + D
custom fireplace design

5230 Harvester Rd. Unit # 2
Burlington, Ontario Canada L7L 4X4
Phone: 905 681-3070 Fax: 905 681-8697

Shown with Standard 9 ft. Flat Ceiling Application & Gas Burner
Custom Lengths & Anchor Options Available

PROPRIETARY AND CONFIDENTIAL
THE INFORMATION CONTAINED IN THIS DRAWING IS THE SOLE PROPERTY OF CUSTOM FIREPLACE DESIGN. ANY REPRODUCTION IN PART OR AS A WHOLE WITHOUT THE WRITTEN PERMISSION OF CUSTOM FIREPLACE DESIGN IS PROHIBITED.

UNLESS OTHERWISE SPECIFIED
DIMENSIONS ARE IN INCHES
TOLERANCES:
FRACTIONAL ± 1/16
ANGULAR: MACH ± 1° BEND ± 0.5°
TWO PLACE DECIMAL ± 0.01
THREE PLACE DECIMAL ± 0.005

PROJECT
CALLISTA Single-Sided | Suspended Gas Fireplace

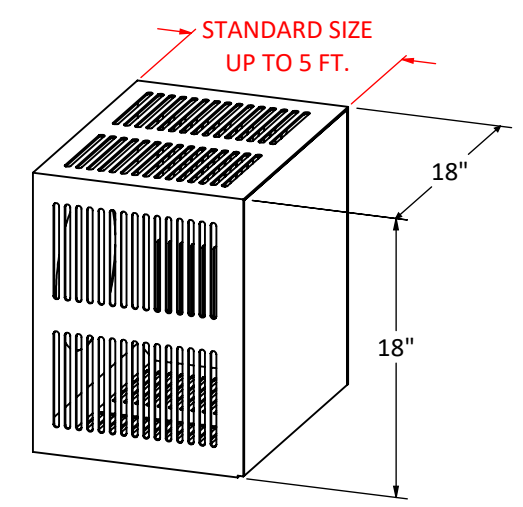
PART NUMBER	REV
	0

DESCRIPTION
Optional Decorative Cover

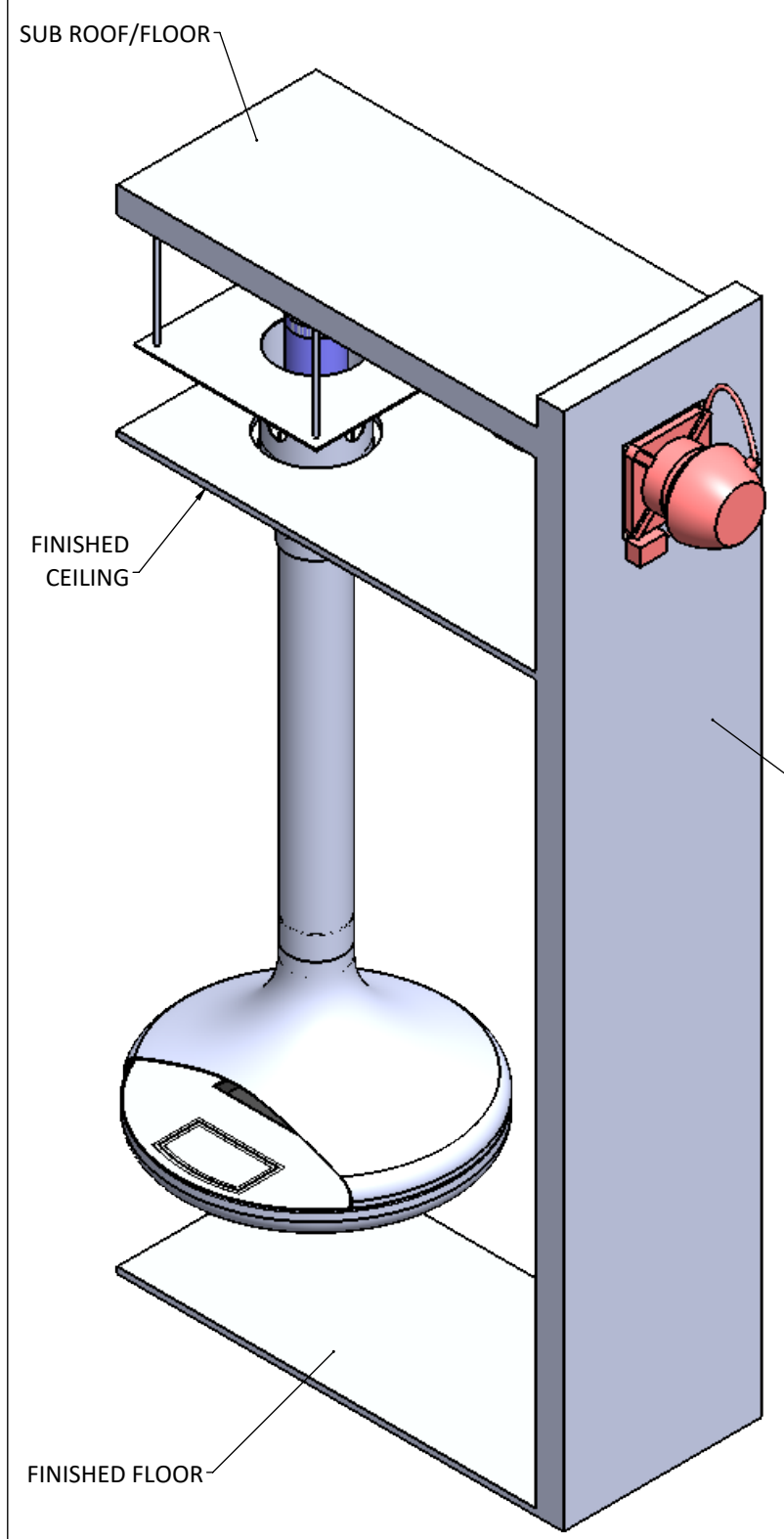
	NAME	DATE (mm/dd/yyyy)
DRAWN	mpanchal	2020-06-17
CHECKED	MV	2020-06-17
APPROVED	--	NA

SIZE **B** SHEET 7 OF 7 DO NOT SCALE DRAWING

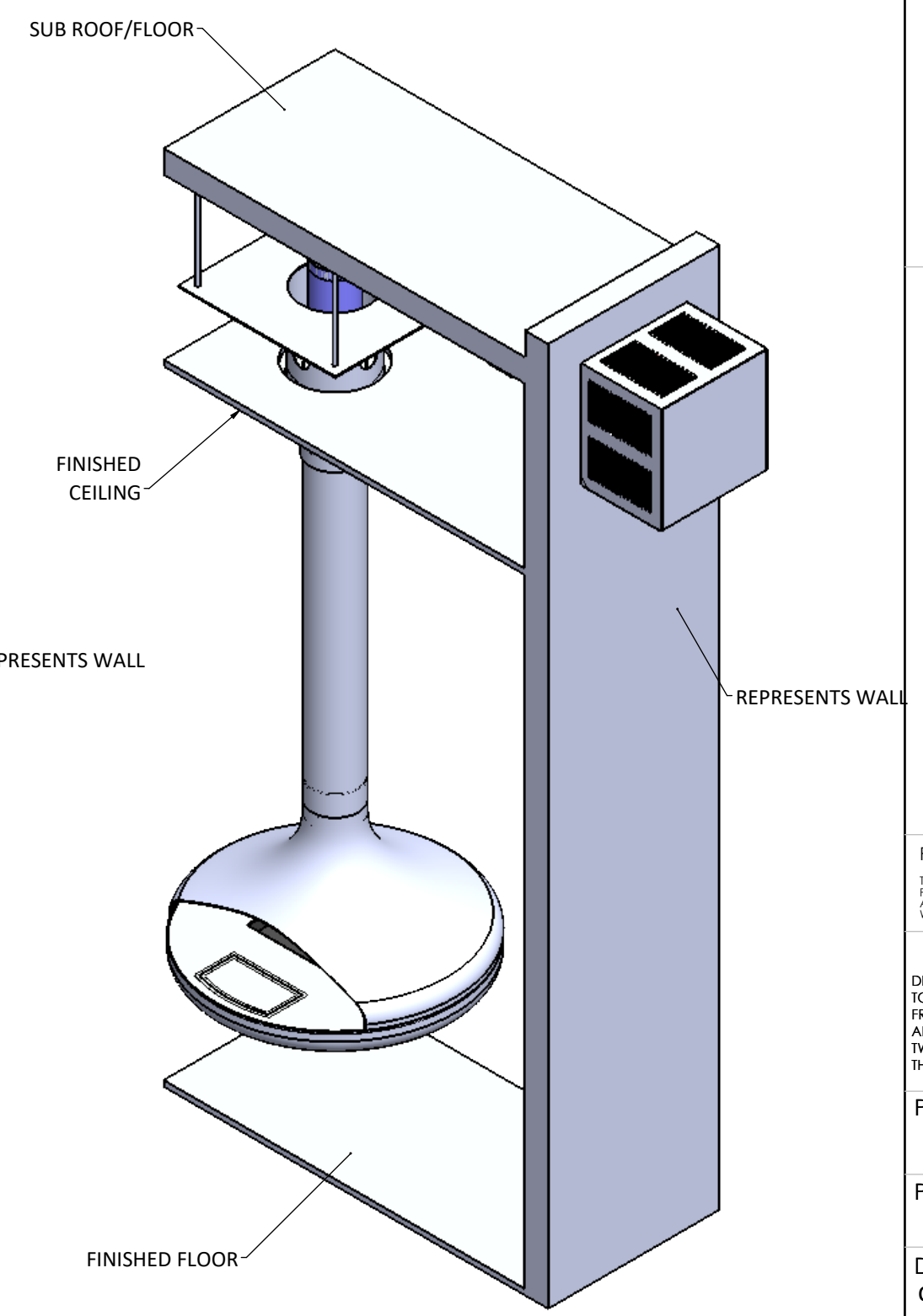
OPTIONAL DECORATIVE CHIMNEY COVER (SQUARE)



OPTIONAL DECORATIVE CHIMNEY COVER (SQUARE)



WITHOUT DECORATIVE CHIMNEY COVER



WITH DECORATIVE CHIMNEY COVER