

# VITA | Fireplaces

North American Designed & Manufactured by **CF + D** | custom fireplace design



## MAXIM | Suspended Hood with Base Gas Fireplace



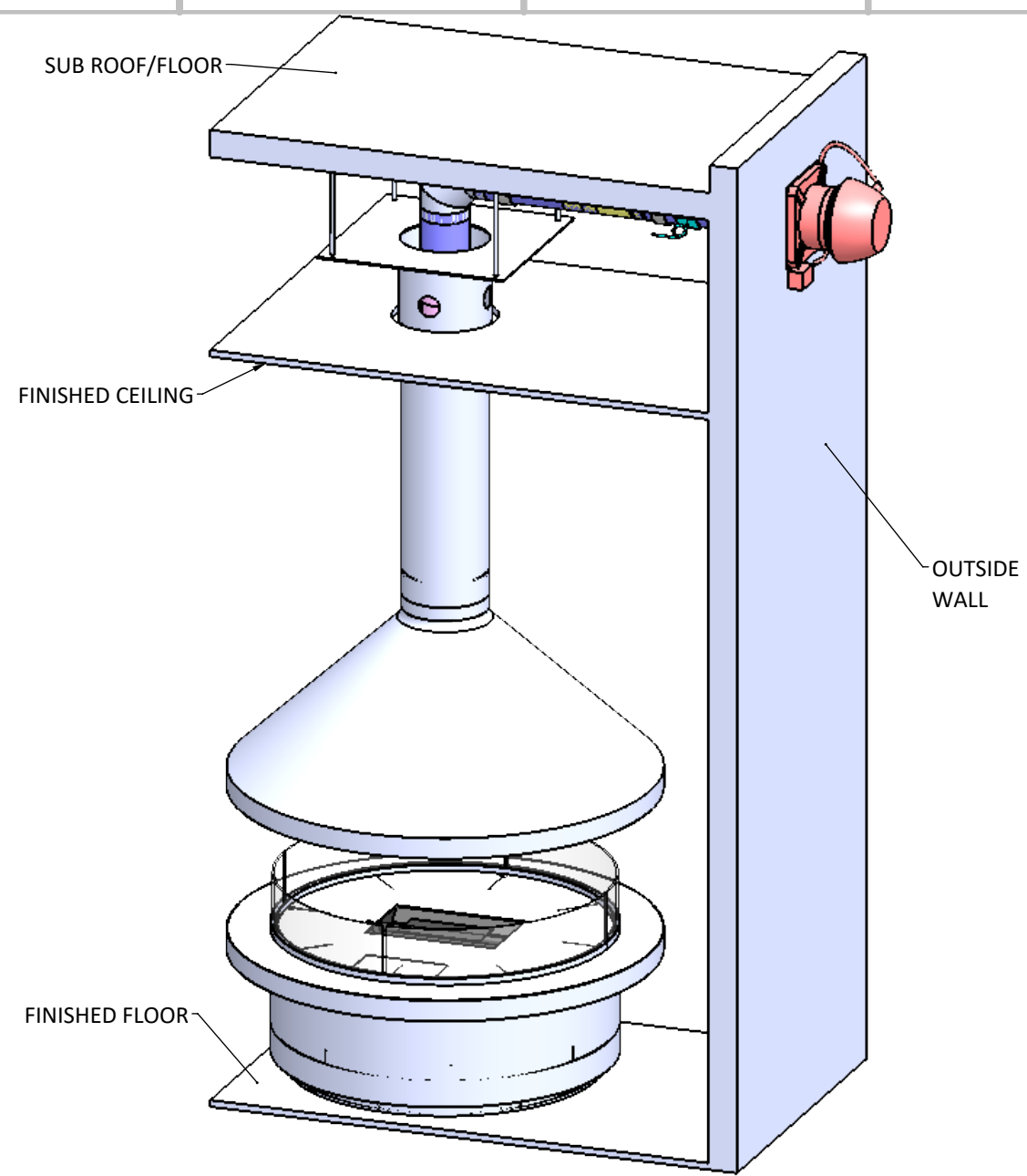
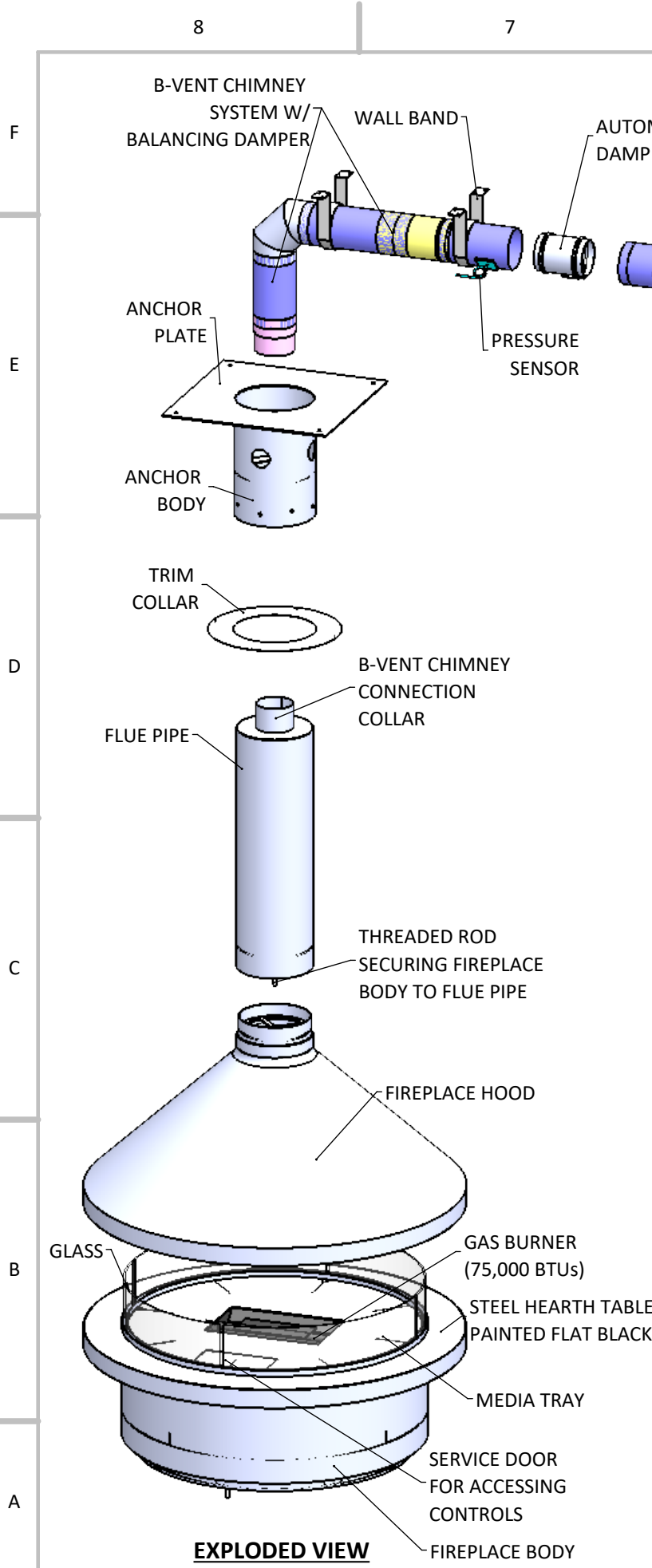
Fireplaces have been tested and proved to comply with ANSI Z21.50/CSA 2.22 Vented Gas Fireplace. Certified under: ICC-ES PMG-1290

### PRODUCT LAYOUT PACKAGE (HORIZONTAL TERMINATION)

2020-06-20

**CF + D** | custom fireplace design

[www.customfireplacedesign.com](http://www.customfireplacedesign.com)



**VITA | Fireplaces**  
**MAXIM | Suspended Hood with Base Gas Fireplace**  
 North American Designed & Manufactured by:  
**CF + D**  
 custom fireplace design  
 5230 Harvester Rd. Unit # 2  
 Burlington, Ontario Canada L7L 4X4  
 Phone: 905 681-3070 Fax: 905 681-8697

STANDARD PRODUCT WEIGHT	
Anchor (Ø 12.75"x25" lg.)	100 lbs. approx.
Flue & Hood (Ø 12"x40" lg.)	190 lbs. approx.
Fireplace Body	390 lbs. approx.
<b>Total Fireplace weight (for 9ft. ceiling application)</b>	<b>680 lbs. approx.</b>

\*Each add'l. 1 ft. of flue pipe weighs : approx. 17 lbs.  
 \*Each add'l. 1 ft. of anchor pipe weighs : approx. 18 lbs.

Shown with Standard 9 ft. Flat Ceiling Application & Gas Burner

PROPRIETARY AND CONFIDENTIAL

THE INFORMATION CONTAINED IN THIS DRAWING IS THE SOLE PROPERTY OF CUSTOM FIREPLACE DESIGN. ANY REPRODUCTION IN PART OR AS A WHOLE WITHOUT THE WRITTEN PERMISSION OF CUSTOM FIREPLACE DESIGN IS PROHIBITED.

**MAXIM | Suspended Hood with Base Gas Fireplace**  
**Product Information**

- Fireplaces have been tested and proved to comply with ANSI Z21.50/CSA 2.22 Vented Gas Fireplace. Certified under: ICC-ES PMG-1290.
- Natural Gas or Propane fueled.
- Natural Gas Burner: approx. 75,000 BTUs.
- Propane Burner: approx. 60,000 BTUs.
- 120 Volt 15 Amp required for venting.
- Gas & Electrical connections to be completed on-site at service door.
- 6" ID B-Vent chimney system required.
- All standard fireplaces painted in factory matte black finish. Custom colors and patina finishes available.
- Switch operation on wall (not included).
- All dimensions are in inches.
- Exact measurements may vary ±1/4".
- Optional decorative chimney cover available at add'l cost.
- Custom anchor options available at add'l cost.
- Enervex Intelli Draft and Damper System.
- Optional Inline fan with flush terminal available. Inquire for details.
- Fasten/Secure hearth to the floor.
- Minimum 50 sq. in. of ventilation air required for cooling controls.
- 2 x 1 1/2" conduit's recommended for Gas & Electrical requirements.
- Non-combustible floor material required under the fireplace.

UNLESS OTHERWISE SPECIFIED

DIMENSIONS ARE IN INCHES  
 TOLERANCES:  
 FRACTIONAL ± 1/16  
 ANGULAR: MACH ± 1° BEND ± 0.5°  
 TWO PLACE DECIMAL ± 0.01  
 THREE PLACE DECIMAL ± 0.005

PROJECT  
 MAXIM | Suspended Hood with Base Gas Fireplace

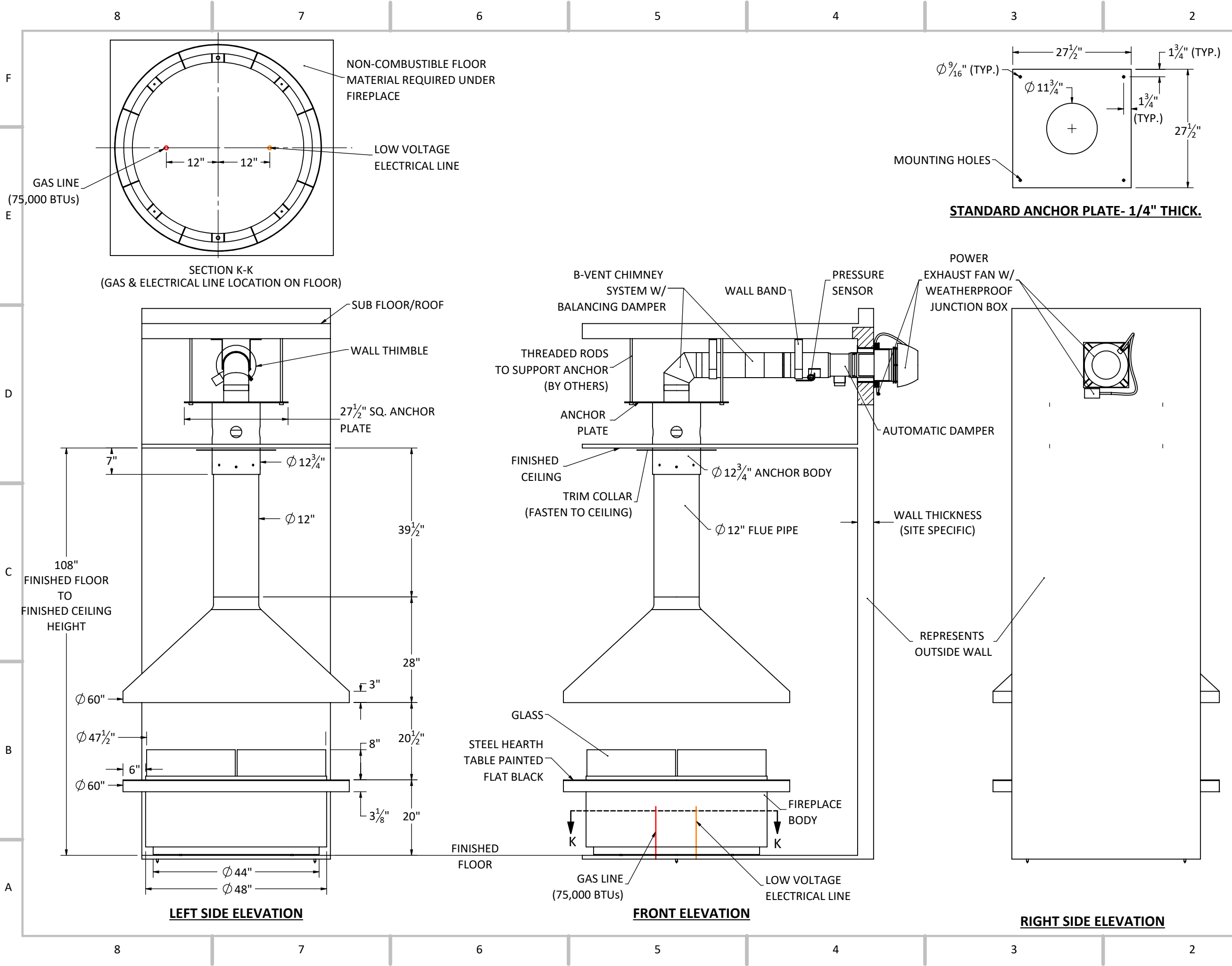
PART NUMBER \_\_\_\_\_ REV 0

DESCRIPTION  
 Assembly

	NAME	DATE (mm/dd/yyyy)
DRAWN	mpanchal	2020-06-20
CHECKED	MV	2020-06-20
APPROVED	--	NA

SIZE **B** SHEET 2 OF 7 DO NOT SCALE DRAWING





**VITA | Fireplaces**

**MAXIM | Suspended Hood with Base Gas Fireplace**

North American Designed & Manufactured by:

**CF + D**

custom fireplace design

5230 Harvester Rd. Unit # 2  
Burlington, Ontario Canada L7L 4X4  
Phone: 905 681-3070 Fax: 905 681-8697

Shown with Standard 9 ft. Flat Ceiling Application & Gas Burner

PROPRIETARY AND CONFIDENTIAL

THE INFORMATION CONTAINED IN THIS DRAWING IS THE SOLE PROPERTY OF CUSTOM FIREPLACE DESIGN. ANY REPRODUCTION IN PART OR AS A WHOLE WITHOUT THE WRITTEN PERMISSION OF CUSTOM FIREPLACE DESIGN IS PROHIBITED.

UNLESS OTHERWISE SPECIFIED

DIMENSIONS ARE IN INCHES

TOLERANCES:

FRACTIONAL ± 1/16

ANGULAR: MACH ± 1° BEND ± 0.5°

TWO PLACE DECIMAL ± 0.01

THREE PLACE DECIMAL ± 0.005

PROJECT

**MAXIM | Suspended Hood with Base Gas Fireplace**

PART NUMBER

REV 0

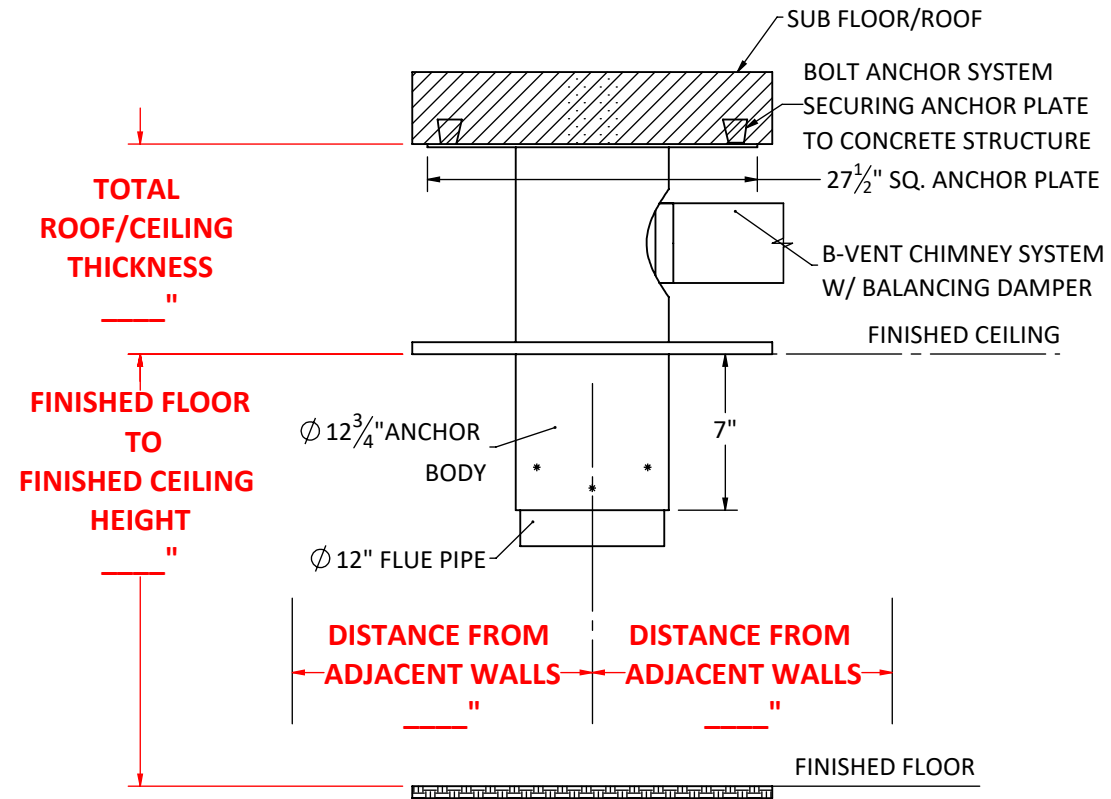
DESCRIPTION

Specifications

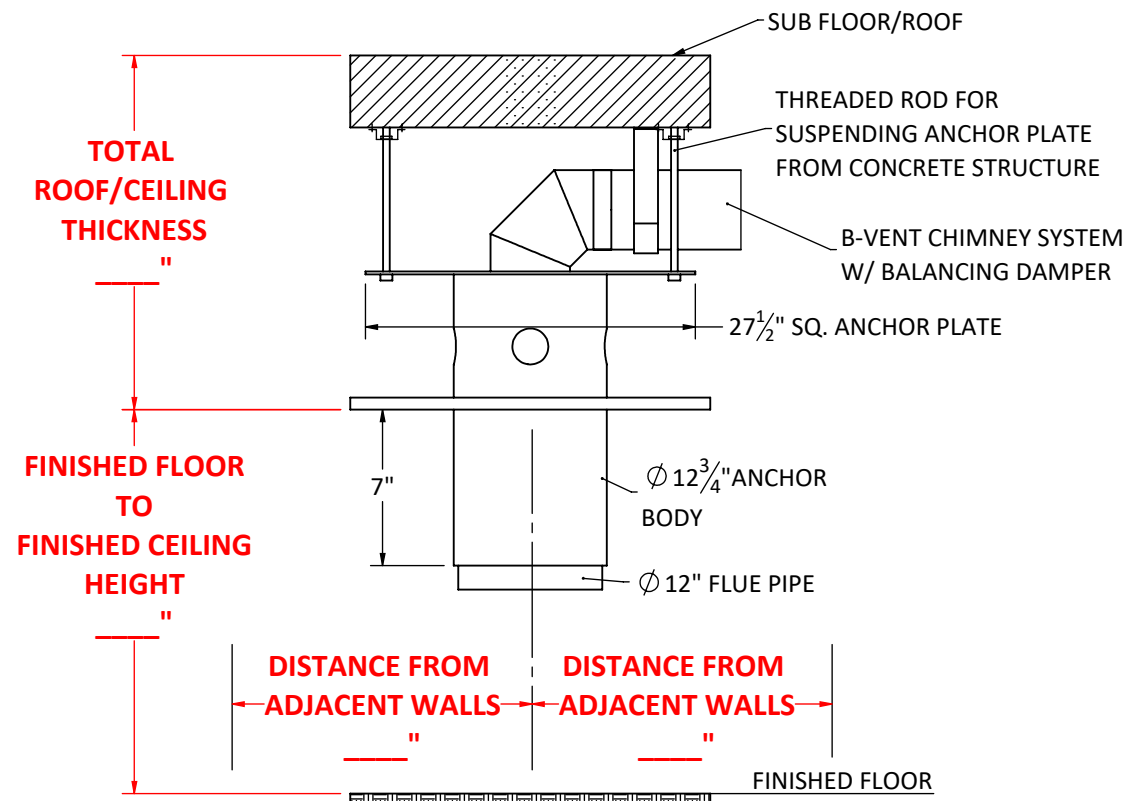
	NAME	DATE (mm/dd/yyyy)
DRAWN	mpanchal	2020-06-20
CHECKED	MV	2020-06-20
APPROVED	--	NA

SIZE **B** SHEET 3 OF 7 DO NOT SCALE DRAWING

**CUSTOM ANCHOR OPTIONS AVAILABLE (FILL IN THE BLANKS AS PER SITE SPECIFIC DETAILS)**



**OPTION A - ATTACHED BELOW CONCRETE**



**OPTION B - SUSPENDED FROM CONCRETE**

**VITA | Fireplaces**

**MAXIM |** Suspended Hood with Base Gas Fireplace

North American Designed & Manufactured by:

**CF + D**

custom fireplace design

5230 Harvester Rd. Unit # 2  
Burlington, Ontario Canada L7L 4X4  
Phone: 905 681-3070 Fax: 905 681-8697

PROPRIETARY AND CONFIDENTIAL

THE INFORMATION CONTAINED IN THIS DRAWING IS THE SOLE PROPERTY OF CUSTOM FIREPLACE DESIGN. ANY REPRODUCTION IN PART OR AS A WHOLE WITHOUT THE WRITTEN PERMISSION OF CUSTOM FIREPLACE DESIGN IS PROHIBITED.

UNLESS OTHERWISE SPECIFIED

DIMENSIONS ARE IN INCHES  
TOLERANCES:  
FRACTIONAL ± 1/16  
ANGULAR: MACH ± 1° BEND ± 0.5°  
TWO PLACE DECIMAL ± 0.01  
THREE PLACE DECIMAL ± 0.005



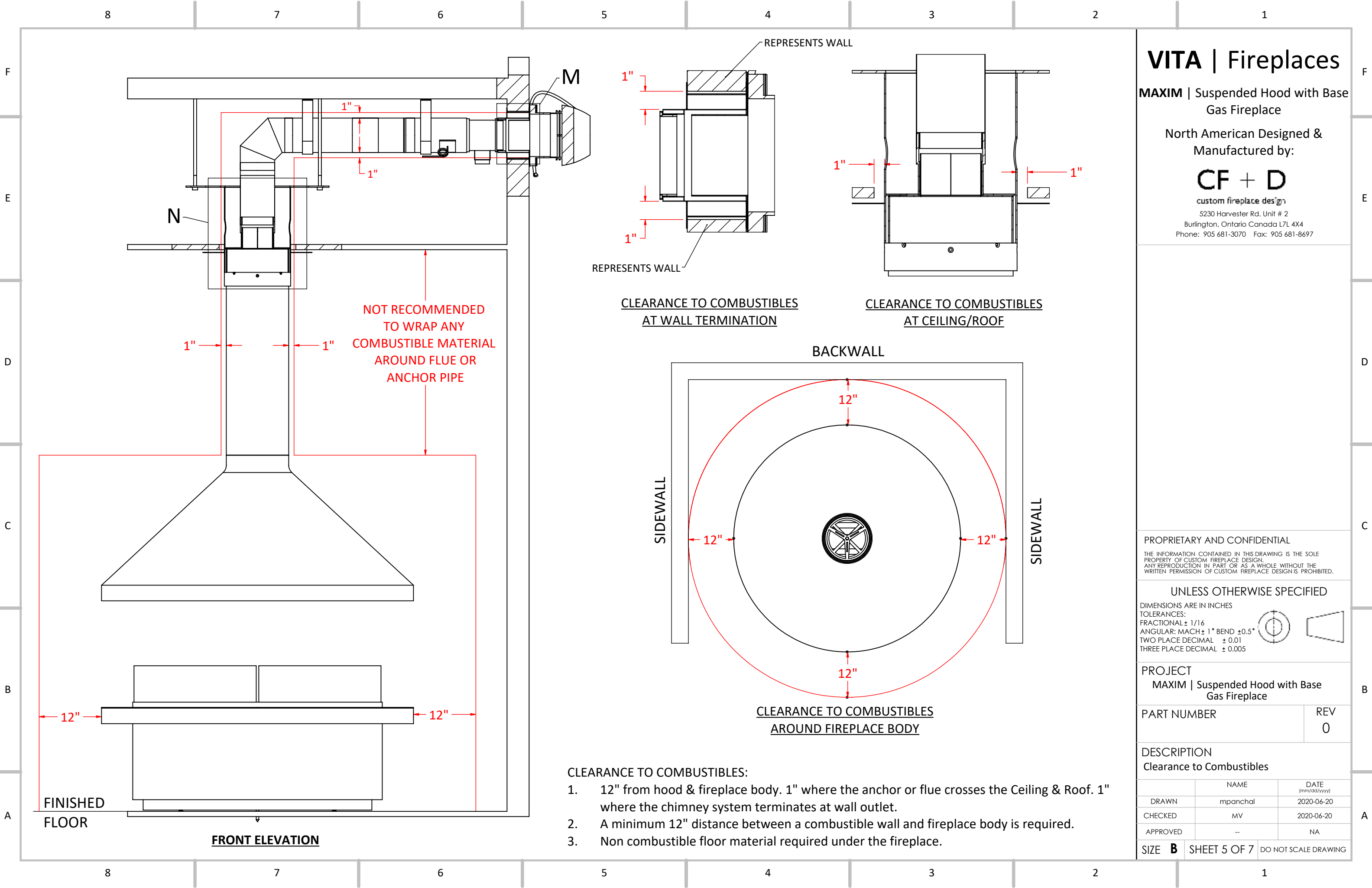
PROJECT  
MAXIM | Suspended Hood with Base Gas Fireplace

PART NUMBER REV  
0

DESCRIPTION  
Anchor Options

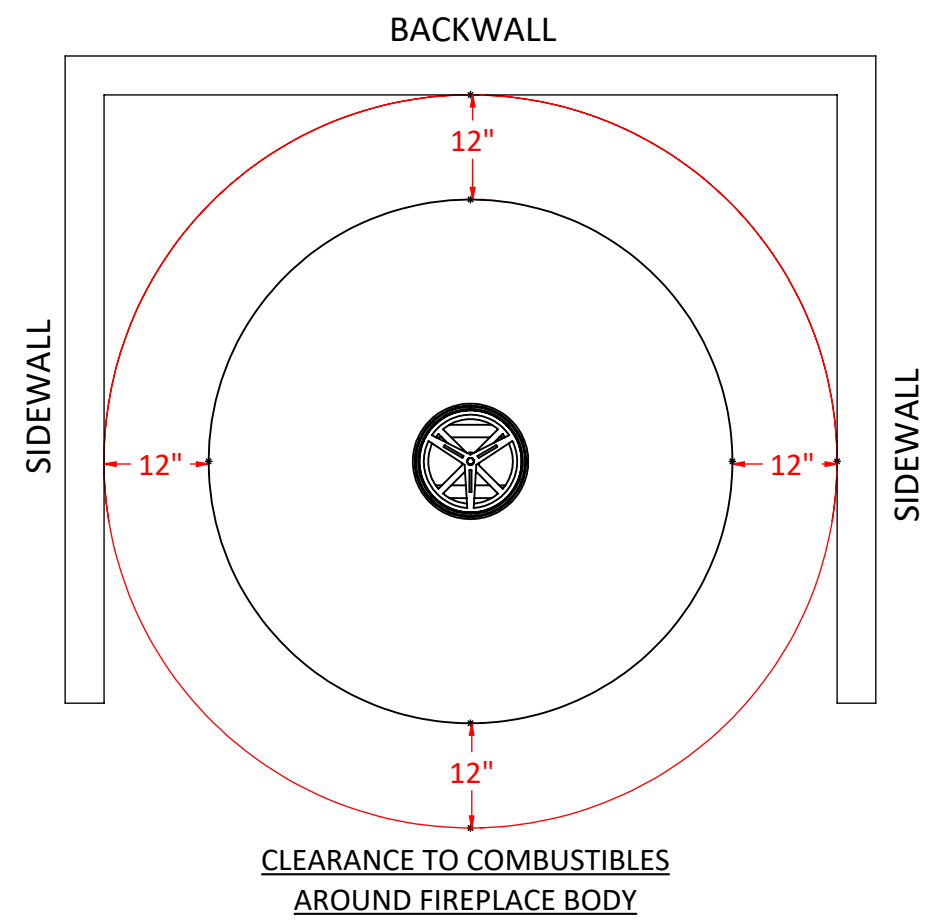
	NAME	DATE (mm/dd/yyyy)
DRAWN	mpanchal	2020-06-20
CHECKED	MV	2020-06-20
APPROVED	--	NA

SIZE **B** SHEET 4 OF 7 DO NOT SCALE DRAWING



**VITA | Fireplaces**  
**MAXIM | Suspended Hood with Base Gas Fireplace**  
 North American Designed & Manufactured by:  
**CF + D**  
 custom fireplace design  
 5230 Harvester Rd. Unit # 2  
 Burlington, Ontario Canada L7L 4X4  
 Phone: 905 681-3070 Fax: 905 681-8697

**CLEARANCE TO COMBUSTIBLES AT WALL TERMINATION**  
**CLEARANCE TO COMBUSTIBLES AT CEILING/ROOF**



**CLEARANCE TO COMBUSTIBLES AROUND FIREPLACE BODY**

- CLEARANCE TO COMBUSTIBLES:**
1. 12" from hood & fireplace body. 1" where the anchor or flue crosses the Ceiling & Roof. 1" where the chimney system terminates at wall outlet.
  2. A minimum 12" distance between a combustible wall and fireplace body is required.
  3. Non combustible floor material required under the fireplace.

PROPRIETARY AND CONFIDENTIAL  
 THE INFORMATION CONTAINED IN THIS DRAWING IS THE SOLE PROPERTY OF CUSTOM FIREPLACE DESIGN. ANY REPRODUCTION IN PART OR AS A WHOLE WITHOUT THE WRITTEN PERMISSION OF CUSTOM FIREPLACE DESIGN IS PROHIBITED.

UNLESS OTHERWISE SPECIFIED  
 DIMENSIONS ARE IN INCHES  
 TOLERANCES:  
 FRACTIONAL ± 1/16  
 ANGULAR: MACH ± 1° BEND ± 0.5°  
 TWO PLACE DECIMAL ± 0.01  
 THREE PLACE DECIMAL ± 0.005

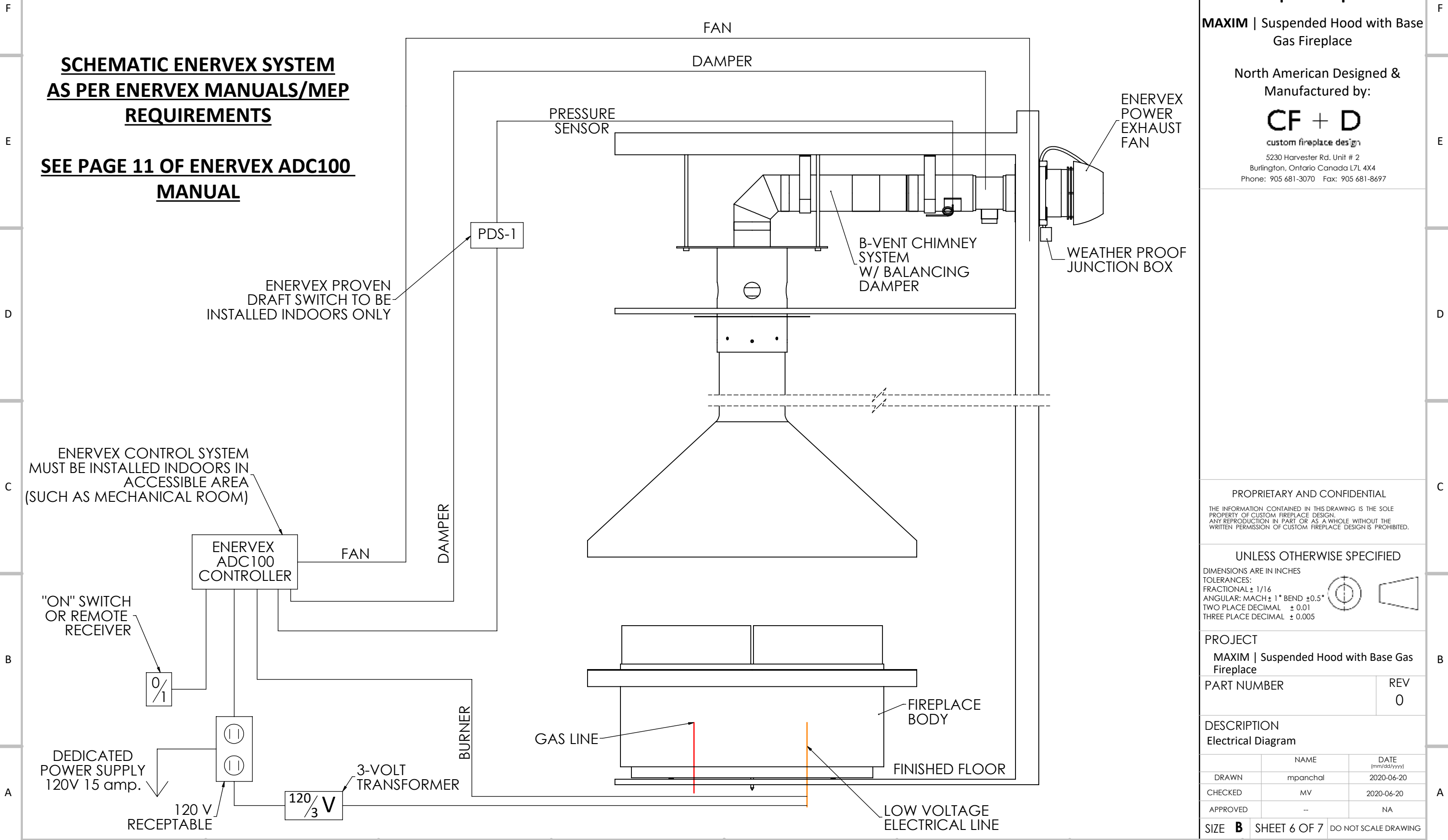
PROJECT  
**MAXIM | Suspended Hood with Base Gas Fireplace**

PART NUMBER	REV
	0

DESCRIPTION		
Clearance to Combustibles		
	NAME	DATE (mm/dd/yyyy)
DRAWN	mpanchal	2020-06-20
CHECKED	MV	2020-06-20
APPROVED	--	NA
SIZE	B	SHEET 5 OF 7
DO NOT SCALE DRAWING		

# TYPICAL VITA GAS ENERVEX ELECTRICAL DIAGRAM

**SCHEMATIC ENERVEX SYSTEM**  
**AS PER ENERVEX MANUALS/MEP**  
**REQUIREMENTS**  
**SEE PAGE 11 OF ENERVEX ADC100**  
**MANUAL**



## VITA | Fireplaces

**MAXIM |** Suspended Hood with Base Gas Fireplace

North American Designed & Manufactured by:

**CF + D**

custom fireplace design

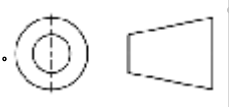
5230 Harvester Rd. Unit # 2  
 Burlington, Ontario Canada L7L 4X4  
 Phone: 905 681-3070 Fax: 905 681-8697

PROPRIETARY AND CONFIDENTIAL

THE INFORMATION CONTAINED IN THIS DRAWING IS THE SOLE PROPERTY OF CUSTOM FIREPLACE DESIGN. ANY REPRODUCTION IN PART OR AS A WHOLE WITHOUT THE WRITTEN PERMISSION OF CUSTOM FIREPLACE DESIGN IS PROHIBITED.

UNLESS OTHERWISE SPECIFIED

DIMENSIONS ARE IN INCHES  
 TOLERANCES:  
 FRACTIONAL ± 1/16  
 ANGULAR: MACH ± 1° BEND ± 0.5°  
 TWO PLACE DECIMAL ± 0.01  
 THREE PLACE DECIMAL ± 0.005



PROJECT  
**MAXIM | Suspended Hood with Base Gas Fireplace**

PART NUMBER	REV
	0

DESCRIPTION  
**Electrical Diagram**

	NAME	DATE (mm/dd/yyyy)
DRAWN	mpanchal	2020-06-20
CHECKED	MV	2020-06-20
APPROVED	--	NA

SIZE **B** SHEET 6 OF 7 DO NOT SCALE DRAWING

# VITA | Fireplaces

**MAXIM |** Suspended Hood with Base Gas Fireplace

North American Designed & Manufactured by:

**CF + D**

custom fireplace design

5230 Harvester Rd. Unit # 2  
Burlington, Ontario Canada L7L 4X4  
Phone: 905 681-3070 Fax: 905 681-8697

Shown with Standard 9 ft. Flat Ceiling Application & Gas Burner Custom Lengths & Anchor Options Available

PROPRIETARY AND CONFIDENTIAL

THE INFORMATION CONTAINED IN THIS DRAWING IS THE SOLE PROPERTY OF CUSTOM FIREPLACE DESIGN. ANY REPRODUCTION IN PART OR AS A WHOLE WITHOUT THE WRITTEN PERMISSION OF CUSTOM FIREPLACE DESIGN IS PROHIBITED.

UNLESS OTHERWISE SPECIFIED

DIMENSIONS ARE IN INCHES  
TOLERANCES:  
FRACTIONAL ± 1/16  
ANGULAR: MACH ± 1° BEND ± 0.5°  
TWO PLACE DECIMAL ± 0.01  
THREE PLACE DECIMAL ± 0.005



PROJECT  
MAXIM | Suspended Hood with Base Gas Fireplace

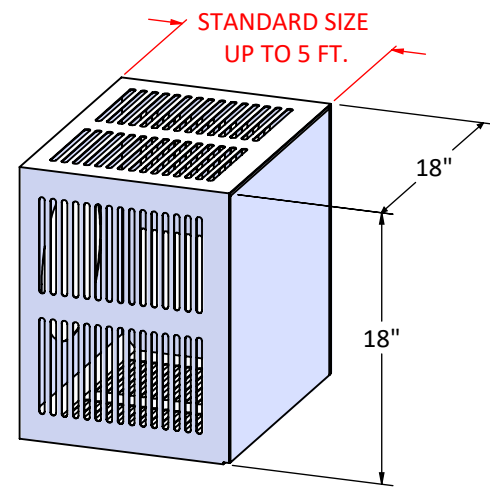
PART NUMBER	REV
	0

DESCRIPTION  
Optional Decorative Cover

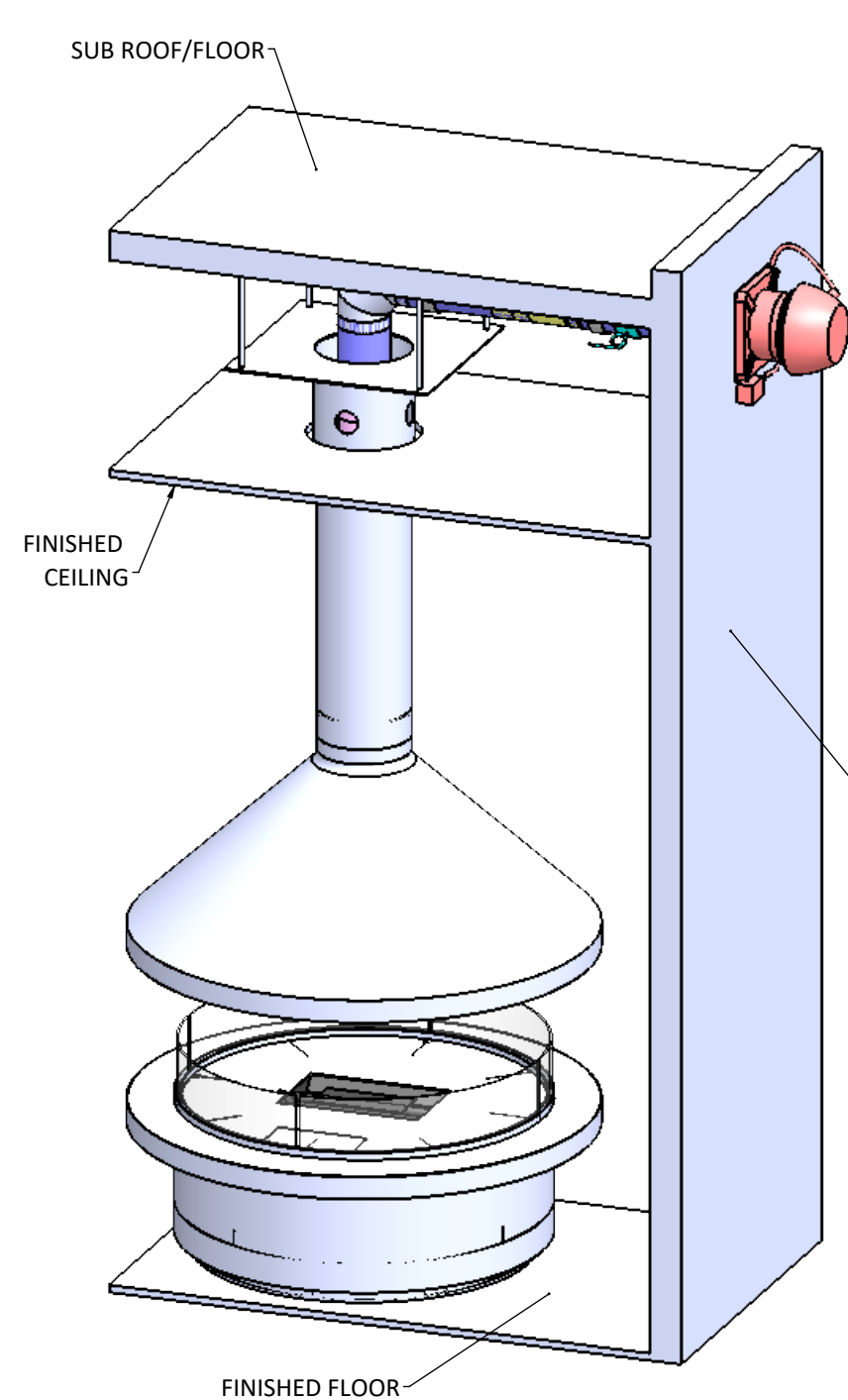
	NAME	DATE (mm/dd/yyyy)
DRAWN	mpanchal	2020-06-20
CHECKED	MV	2020-06-20
APPROVED	--	NA

SIZE **B** SHEET 7 OF 7 DO NOT SCALE DRAWING

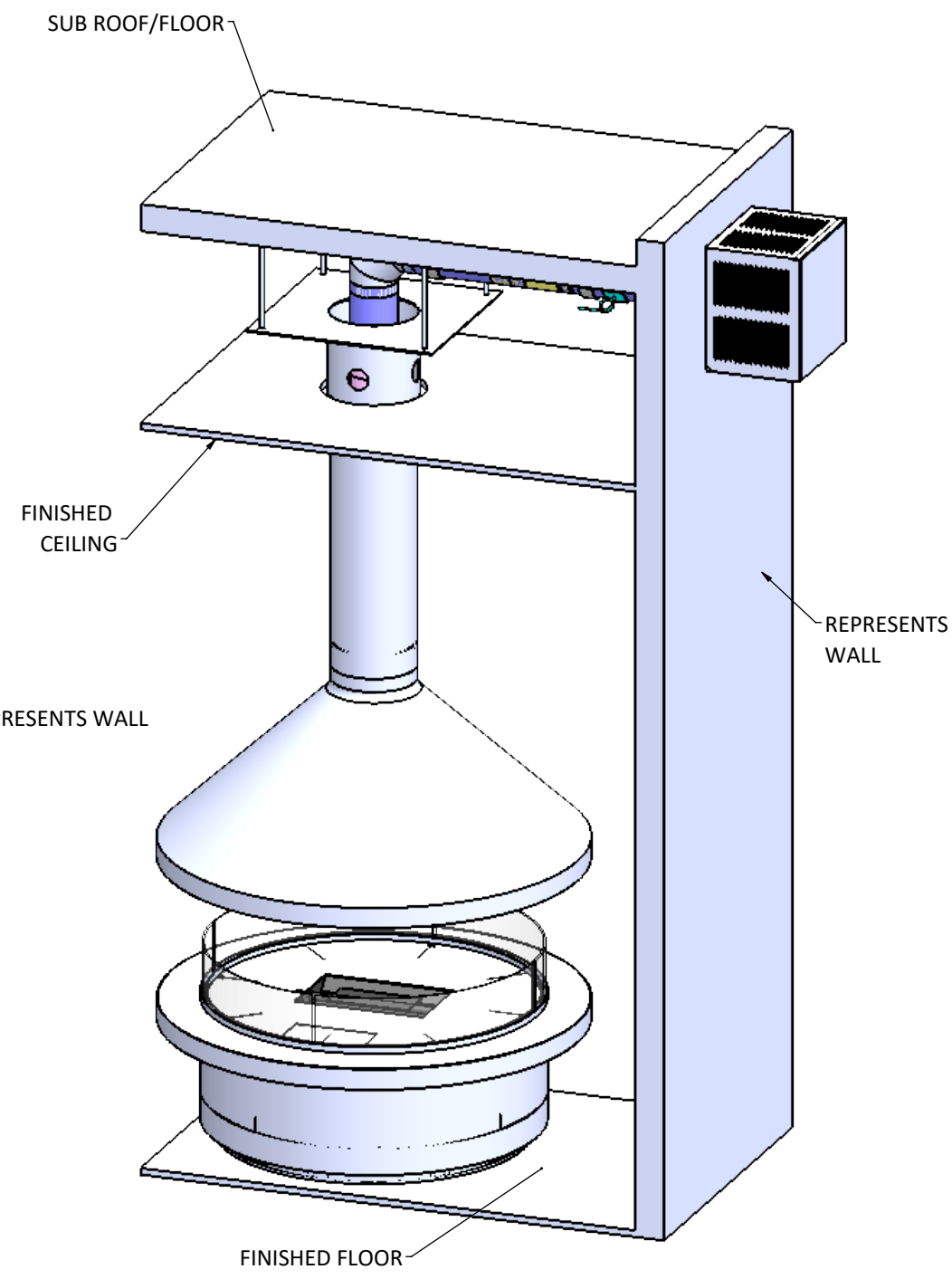
## OPTIONAL DECORATIVE CHIMNEY COVER (SQUARE)



OPTIONAL DECORATIVE CHIMNEY COVER (SQUARE)



WITHOUT DECORATIVE CHIMNEY COVER



WITH DECORATIVE CHIMNEY COVER