

# VITA | Fireplaces

North American Designed & Manufactured by **CF + D** | custom fireplace design



## **72" Single-Sided**

Built-In Linear Fireplace with Vapor-Fire Burner

## **INSTALLATION | OWNER'S MANUAL**

Serial #

**Read full manual before installation and keep all instruction for future use**

2/15/19

**CF + D** | custom fireplace design  
[www.customfireplacedesign.com](http://www.customfireplacedesign.com)

# Table of Contents

## **APPENDIX A - VITA | Fireplaces Installation**

Important Instructions.....	Page A
General Information.....	Page B
Installation Requirements.....	Page C
a) Installation Requirements	
b) Required Tools	
c) Description	
Fireplace Specifications.....	Page D
Airflow Diagram.....	Page E
Fireplace Installation.....	Page F
Leveling the Fireplace.....	Page F
Enclosing the Fireplace into the Wall.....	Page F
Airflow Instructions.....	Page G
Electrical Instructions.....	Page G
Instructions for Continuous Plumbed Systems.....	Page G
Vapor-Fire Burner Information.....	Page H
Media Plate Instructions.....	Page H
Initial Fill Instructions.....	Pages H & I
Manual Fill Instructions.....	Page J
Glass Panel Installation.....	Page K
Warranty Statement.....	Page L
<b>APPENDIX B - Vapor-Fire Service Manual.....</b>	<b>Pages I - 15</b>

# VITA | Fireplaces Installation

CF + D

custom fireplace design

Quality

Creativity

Innovation

## A Letter from Our President:

Our entire team joins me in thanking you for purchasing the 72" Single-Sided Built-In Linear fireplace, part of our exclusive line of VITA | Fireplaces featuring Vapor-Fire burner technology, North American designed and manufactured by CF + D | custom fireplace design. We are proud of our quality workmanship, our creativity in designing functional art pieces and our commitment to technical innovation. We welcome the challenges that come across our designer's desks, keeping our creative minds working on developing new ideas with our clients to build their dream fire feature.

Upon receiving this letter your VITA Fireplace has now been shipped and received. The installation, technical and service manuals are included in the package and our Technical Team is available with assistance throughout the installation and start-up of your new VITA fireplace.

The Management, Designers and our Metal Craftsman, thank you again for the opportunity of being a part of your project. We value our clients greatly and are available for consultation before, during and after the installation of your exclusive VITA fireplace.



Vince Volpe  
President and CEO  
CF + D | custom fireplace design

CF + D | custom fireplace design  
5230 Harvester Rd. Unit #2 Burlington, Ontario Canada  
L7L 4X4 t. 1-866-909-3070 t. 905-681-3070  
[www.customfireplacedesign.com](http://www.customfireplacedesign.com)

2/15/19

# APPENDIX A - Important Instructions

**IMPORTANT:** Read all instructions before installation.

1. Not for use outdoors.
2. **DO NOT** insert or allow foreign objects to enter any airflow openings as this may cause electric shock.



3. **DO NOT** block air intakes in any manner.
4. **DO NOT** use in area where gasoline, paint or flammable liquids are used or stored.
5. **DO NOT** burn wood or other materials in this model.
6. Always **USE A CERTIFIED ELECTRICIAN** should new circuits or outlets be required.
7. **DISCONNECT THE POWER SUPPLY BEFORE DOING ANY CLEANING, MAINTENANCE OR RELOCATION OF THE MODEL.**



8. To disconnect the model, turn the controls off and disconnect the power at the service panel.



A dedicated 15 Amp, 120V GFCI is required for electrical.

9. **Recommended:** 1 1/2" floor drain or condensate pump for potential leak management.

## Vapor-Fire Burner:

This equipment has been tested and found to comply with the limits for Class B digital device, pursuant to part 15 of the FCC Rules. These limits are designed to provide reasonable protection against harmful interference.

Construction and electrical outlet wiring must comply with local building codes and other applicable regulations to reduce the risk of fire, electric shock and injury to persons.

10. Tethered Bluetooth control boxes are connected before shipping to ensure proper operation. Also used to sync the remote control for remote operated units. Make sure they are all firmly plugged in for the unit to work properly. They may have become loose during shipping.



**NO NOT REMOVE OR DISCONNECT THE TETHERED BLUETOOTH DEVICE FROM INSIDE THE UNIT.** It has been factory set to ensure proper operation.



**A FRESH AIR INTAKE of 50 inches squared is required for each 20" Vapor-Fire burner, and 100 inches squared for each 40" Vapor-Fire burner for optimum flame production (see Airflow Diagram Page E).**

**Electrical Dedicated Switch Operation  
Recommended for all applications in Commercial Projects  
Remote Controls are available upon request**

VITA | Fireplaces

2/15/19

# General Information

**KEEP THIS MANUAL HANDY FOR EASY REFERRAL.  
All WARNING and CAUTION SHOULD BE STRICTLY OBSERVED.**

Please read this entire manual before you install and use your VITA | Fireplaces Vapor-Fire Feature.

Failure to follow the instructions may result in property damage, bodily injury or even death.

When this fire feature is not properly installed, a fire may result. To reduce the risk of fire, follow the installation instructions.

This service bulletin is to serve as a guide to the installation and operation of your fireplace system. It is not intended to replace skilled trades and/or expertise that may be required to perform installations.

All electrical and electronic components must be installed, inspected and tested by qualified persons in accordance with local building codes.

Components described herein are intended as an indication of the components required and/or supplied and is not an exhaustive item listing.

All standard safety practices as indicated by local codes, laws, or OSHA standards must be followed to prevent accident or injury.

Some of the components supplied cannot be installed by a single person nor should they be installed from a ladder.

All site safety arrangements are the responsibility of the Site Supervisor, General Contractor and/or Fireplace Installers, and not CF + D.

**USING MAKE-SHIFT COMPROMISES DURING INSTALLATION CAN CAUSE DAMAGE.** Such installation is not covered under CF + D limited warranty.

**DO NOT CONNECT TO ANY AIR DISTRIBUTION DUCT OR SYSTEM!**

CF + D specializes in creating one-of-a-kind, hand-made artistic fireplaces. While these fire features are generally developed for their aesthetic presence, they are also a functional appliance. As such, natural variations in the material forming processes and patina are part of the sculptural spirit of the fireplace, adding to the beauty and uniqueness of the design.

North American Designed and Manufactured by **CF + D** | custom fireplace design

**VITA** | Fireplaces  
2/15/19

# Installation Requirements

## INSTALLATION | OWNER'S MANUAL 72" Single-Sided Built-In Linear Fireplace with Vapor-Fire Burner

### A) Installation Requirements

- Prepare location for the installation of the fireplace (See *Airflow Diagram and Instructions Pages E & F*).
- Electrical 15 AMP Service and 120V GFCI at installation location ready for placement and the supplied wiring and junction box connections.
- If the client has chosen the option of continuous plumbed-in water, a 1/2" water line for continuous water flow is required which will then step down to 1/4" to connect with factory set valve. The water shut off is located at the plumbing connection (See *Instructions Pages G & H*).
- For manual fill operation, two water containers will be supplied with the unit for manual refilling. (See *Instructions Page I*)

### B) Required tools

- Drill
- M8 Allen key
- Level
- Screw drivers
- M12 Allen key
- Scaffolding if necessary
- Ventilation grills/covers not supplied
- 2 persons minimum are required for installation.



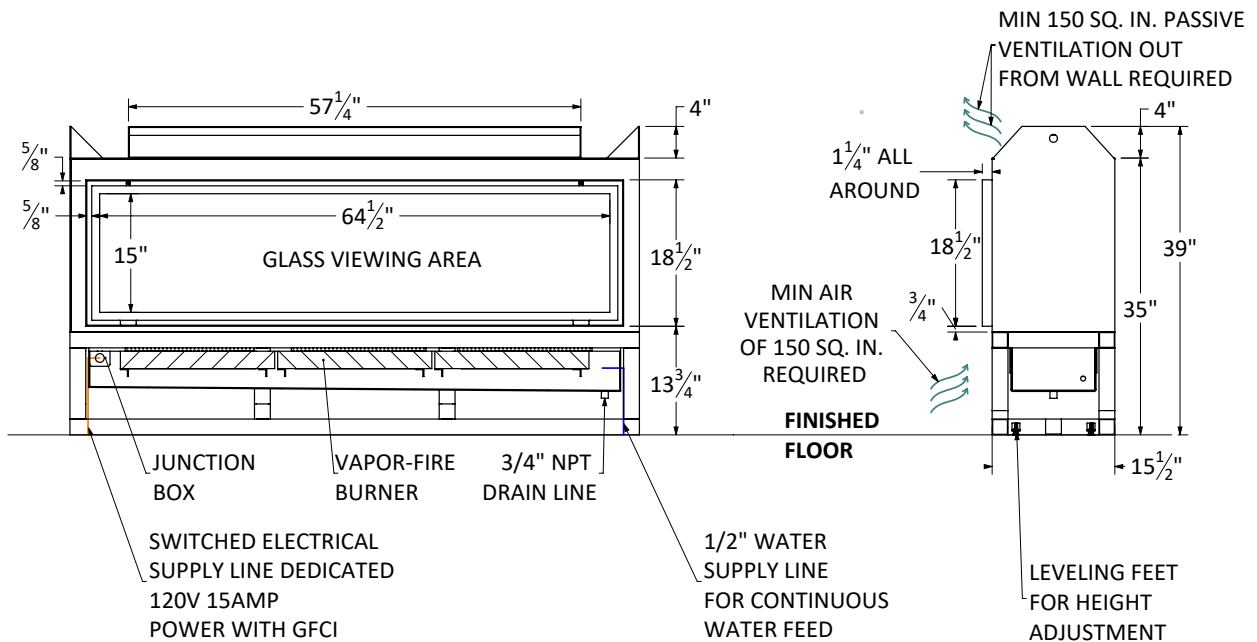
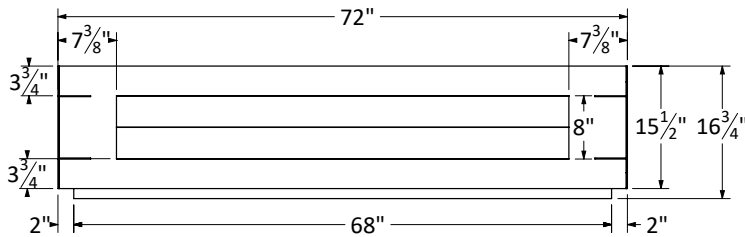
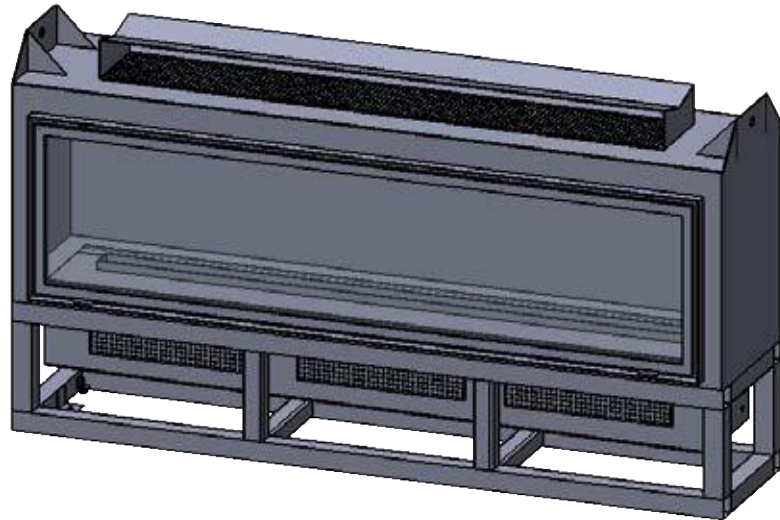
**NOTE: A 2" framing clearance is required before positioning the Built-In Vapor-Fire for ease of installation before securing the model in place.**

### C) Description

Fireplace Body Weight	Single-Sided: 450 lbs.
Fireplace Height	39"
Fireplace Length	72"
Fireplace Depth	16 3/4"
Vapor-Fire Burner Length	60"
Airflow Requirements	150 Square Inches

# Fireplace Specifications

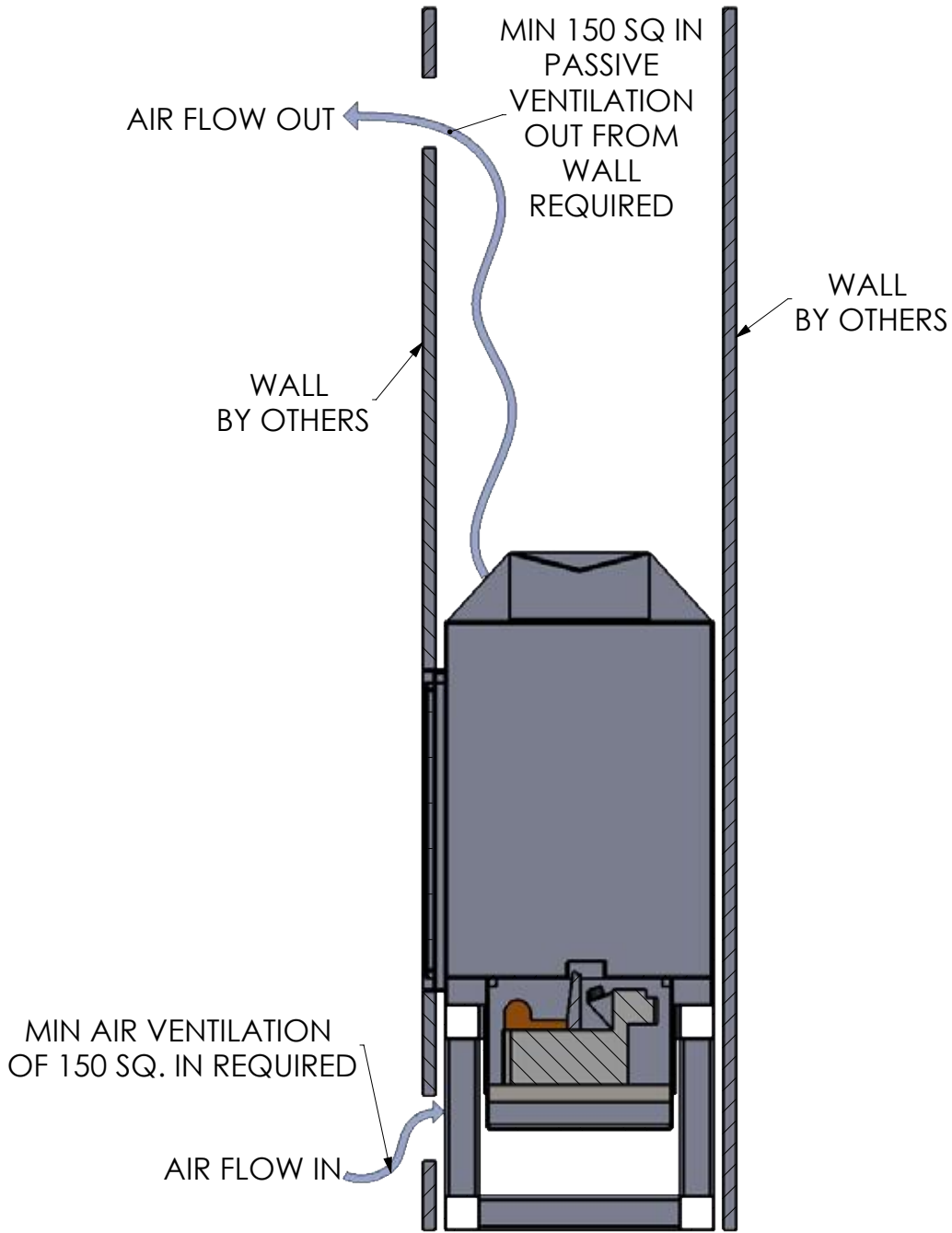
## 72" Single-Sided Built-In Linear Vapor-Fire Fireplace (Sample)



VITA | Fireplaces

2/15/19

# Airflow Diagram



North American Designed & Manufactured  
by  
**CF + D** | custom fireplace design

PROPRIETARY AND CONFIDENTIAL  
THE INFORMATION CONTAINED IN THIS DRAWING IS THE SOLE PROPERTY OF CUSTOM FIREPLACE DESIGN INC.  
ANY REPRODUCTION IN PART OR AS A WHOLE WITHOUT THE WRITTEN PERMISSION OF CUSTOM FIREPLACE DESIGN INC.  
IS PROHIBITED.

UNLESS OTHERWISE SPECIFIED:		NAME	DATE	MODEL:	72" Single-Sided	
DIMENSIONS ARE IN INCHES		DRAWN	MP	3/23/2019	TITLE:	
TOLERANCES:		CHECKED	MV	3/23/2019	AIRFLOW REQUIREMENT	
FRACTIONAL ±		ENG APPR.			SIZE	DWG. NO.
ANGULAR: MACH ± BEND ±		MFG APPR.			A	LVF-05
TWO PLACE DECIMAL ±					SCALE : NTS	REV
THREE PLACE DECIMAL ±						0
INTERPRET GEOMETRIC TOLERANCING PER:		Q.A.		SHEET 3 OF 3		
MATERIAL		CF + D				
FINISH		CUSTOM FIREPLACE DESIGN INC.				
DO NOT SCALE DRAWING		5230 HARVESTER RD. UNIT # 2				
		BURLINGTON, ONTARIO CANADA L7L 4X4				
		PHONE: 905-681-3070 FAX: 905-681-8697				

**VITA** | Fireplaces  
2/15/19



# Fireplace Installation | Leveling | Framing Instructions

## Installation Instructions for Linear Built-In Vapor-Fire

Before positioning and securing the model into the specified location a prepared framed opening should be built. When framing the opening for the built-in model maintain a 2" clearance on the top and sides for ease of installation.

The electrical and plumbed-in water line (*if selected for continuous burn time*) should be prepared from the main sources and located inside the framed opening. The junction box is factory set and ready to be wired. The plumbing connection (*if selected*) is also factory set for connection to the main line.

There is a drain pan and bib built-in under the unit as a precautionary measure in case of overflow. A small 1 1/2" drain on the floor under the unit is recommended but not required.

## Leveling the Fireplace

The fireplace is equipped with leveler legs for adjustment should it be necessary to level and stabilize the fireplace. Once the unit is level and straight, secure it in place using lag bolts (*not included in the package*).

## Enclosing the Linear Vapor-Fire into The Wall



**NOTE:** Test the electrical connections and plumbing line (*if installed*) making sure wiring is correct and the plumbing connection has been leak tested before enclosing into the wall.

Once all electrical and plumbing (*if required*) has been completed the wall structure can be closed. There are no combustible or clearance requirements when building the wall around the Vapor-Fire model. Providing airflow from under the Vapor-Fire Built-In model and allowing air to move through the cavity to escape at the ceiling is required (*refer to airflow diagram Pages D & E*). A decorative wall vent can be used to finish the airflow openings if desired.

Some examples of the location of airflow openings include:

- Air intake at the bottom of the wall and air out at top of ceiling, or,
- Air intake at the space provided at floor level baseboards and air out at the ceiling.
- For custom airflow requirements follow client design specifications



**Important Note:** Airflow requirements for this fireplace are found on Pages A, C & E with further information within the "Airflow Instructions" on the next page. This information **MUST** be used when closing the wall.

## Airflow Instructions

The airflow in, and airflow out vents have two functions (*Refer to Airflow Diagram - Page E*):

- To supply fresh air to the Vapor-Fire burners.
- To allow airflow out of the top of the unit to maintain optimal vapor flame.

There are a number of options for letting air in. Some examples include:

- Through the toe kick/baseboards
- Ventilation grate at finished floor
- Other

There are also a number of options for letting air out. Some examples include:

- Ventilation grate wall/ceiling
- Custom design - reveal at top of wall
- Other

**Most importantly, venting must follow each unit's airflow requirements (See Pages A, C & E).**

Consult the project manager for full CF+D drawings if you are unsure of vent placement.



**NOTE:** Ensure all vent options have been addressed before closing the wall.

## Electrical Installation

This fireplace has one CDFI500P model burner (20"), and one CDFI1000P model burner (40") installed.

The fireplace requires switch power with a dedicated circuit to control the fireplace operation (*on/off switch on wall recommended*).



**NOTE:** All electrical to be completed first. **Do not** turn on electrical until plumbing has been completed.

The electrical and 1/4" water line connection is supplied with the fireplace. The electrical connections are to be located at the floor where the fireplace will be installed. A junction box is provided inside the fireplace for electrical connection. Found on the left side of the unit.

A dedicated circuit is required for the junction box. Connect the power 120V wire, 15 Amp service to the junction box to meet electrical requirements.



**NOTE:** Make sure the Vapor-Fire burner power is off before connecting.

## Instructions for Continuous Plumbed-In Systems

- The plumbing accessory kit is designed for use with copper piping.
- Ensure that all plumbing connections meet local plumbing code requirements.
- Ensure that the location of the plumbing connection allows for easy access for shutoff during scheduled maintenance.

Normal tap water can be used in the Vapor-Fire as long as the tap water is not considered to be hard water. In the event your tap water is hard, softened water is recommended.

# Vapor-Fire Burner | Media Plate | Initial Fill Instructions



**NOTE:** Plumbing connections should be done by an experienced plumber familiar with plastic tubing and connectors.

Downsize the main 1/2" plumbing line to 1/4" in order to connect to valve which is located in the front right corner of the burner on the bottom. Test for water leaks and make sure connections are leak proof.

Access the Vapor-Fire burner to complete the initial fill process by lifting the media plate.

## Vapor-Fire Burner

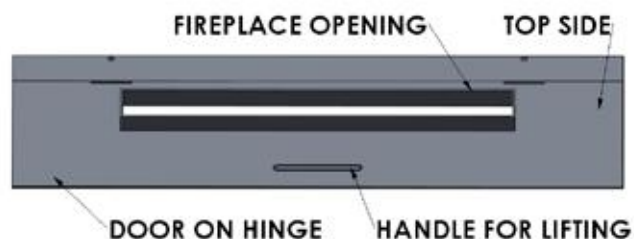
Remove media plate to access the burners. The Vapor-Fire burner is factory set and ready for the initial fill. Confirm that all electrical and plumbing have been completed before proceeding to the next step.

## Media Plate Instructions

The media plate has three functions:

- The media plate will be lifted for access to the Vapor-Fire burner.
- To display the chosen media (*rocks, glass, logs, etc.*).
- To direct the airflow for optimum Vapor-Fire effect.

The media plate opens from one side of the fireplace in order to access the Vapor-Fire burner. There is a handle on the media plate for ease of use. Lift the media plate up to allow enough space to access the Vapor-Fire burner.



## Initial Fill Instructions

There are two ways to complete the initial fill. Both are acceptable whether you have chosen the plumbed-in or manual fill options.

Each VITA Fireplace is supplied with an orange initial fill bottle which is used for priming the reservoir, and/or on a regular basis (*Manual Fill Option*).

### Option 1: Fill the reservoir directly

Remove the plumbing fill cap assembly by gently twisting clockwise and move cap to side (*Images A & B Below*). For manual fill VITA Vapor-Fire, there will not be a plumbing fill cap assembly present.

A)



B)



VITA | Fireplaces

2/15/19

# Initial Fill Instructions (continued)

Remove top cover assembly on the burner by depressing side tabs gently (*Images 1 and 2*).

1)



2)



It is now time to fill the water reservoir(s) with 33.5oz (1L) of water. Take note of water level markers (*Image 3 Below*). Be sure to fill water level in between the markers in order for the system to learn the proper level to maintain during operation.

3)



Replace the assembly making sure that clips are secure and connect the plumbing fill cap assembly (*if applicable*).



**NOTE:** this method does not use the orange initial fill bottle.

## Option 2: Fill the reservoir using the initial fill bottle

If you have chosen the plumbed-in option, remove the plumbing fill cap assembly (*as outlined on Page H*). If your VITA fireplace uses the manual fill option, there is no plumbing fill cap assembly.

Fill the orange initial fill container with regular tap water and secure the cap without twisting too tightly. Place the container into the tray with the valve facing downwards as shown below. The valve fits gently into the socket used for the plumbing fill cap assembly (*See Image B Page G*). No need to tighten.



Allow the water to drain into the reservoir through the valve. You will hear a gurgling sound. Once the water stops draining into the reservoir below, the sound will stop. This means that the Vapor-Fire reservoir has filled to the optimal level.

**For plumbed-in option replace the plumbing fill cap assembly and media plate.**

**For manual fill Vapor-Fire, keep the initial fill bottle for regular operation (Refer to Manual Fill Instructions Page J)**



**DO NOT** attempt to test fire the system until all plumbing and electrical is complete and the correct starting water level has been established. Failure to follow this instruction could incorrectly cause overflow during operation.

# Manual Fill Instructions

## Instructions for Manual Fill Containers

- Remove the media tray (*top tray for rocks, logs etc.*) to access the burners.
- Remove the plastic container.
- Manually fill the supplied container with 1 litre of water.
- Secure the top without twisting too tightly.
- Place the container back into position, the water in the container will drain into the reservoir which will fill to the level required for maximum operation (See *Picture 3*).
- After the plastic container is empty or stops flowing into the reservoir, it has now filled to the level required.
- Refill the container with water and replace into position. The maximum operating cycle time will be between 8 to 10 hours.
- Replace the media tray (See *Media Plate Instructions Page H*). Ensure that all edges are flush and snug so that the media plate is flat.

Now arrange your chosen media as desired on top of the media plate. Use caution not to overlap the Vapor-Fire opening as this can interrupt the flame affect. Proceed to turn on the Vapor-Fire fireplace.



**NOTE:** The Vapor-Fire burner system has been factory set for optimum flame effect (*No Adjustments Required*).



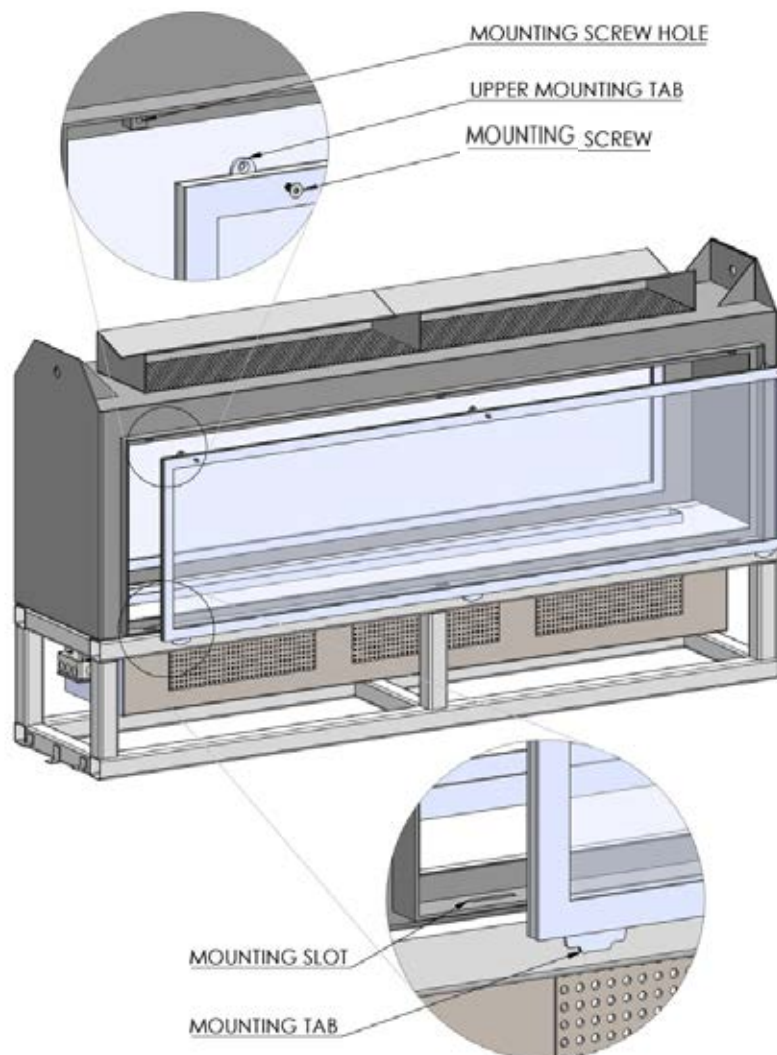
**NOTE:** If after the test fire stage, the unit will be turned off to complete construction, it is recommended to first drain all water from the reservoirs and/or refill containers and dry to protect the transducers from sitting idle in water for extended periods.

# Glass Panel Installation

- Locate and remove the Mounting Screws
- Remove the Glass panel from the shipping packaging.
- Guide the Mounting Tabs into the Mounting Slots located at the bottom of the glass opening.
- Install the Mounting Screws through the Upper Mounting Tabs into the Mounting Holes.
- Follow these instructions to conduct regular maintenance, and for manual fill option.



**NOTE:** This operation requires two or more people.



# Warranty

CF + D

custom fireplace design

Quality Creativity Innovation

## Warranty

All CF + D and VITA | Fireplaces models are guaranteed against any defect in design, construction, or manufacture, and guaranteed to function properly for five (5) years from date of receipt of goods. The electrical and electronic components within the fireplace are warranted against any defect in design, construction, or manufacture, and guaranteed to function properly for one (1) year from date of commissioning. Our product guarantees are applicable only when our Fire Features have been installed with respect to all local building codes and with strict attention to the technical details outlined in our Plan Study as well as our installation, maintenance, and user's manuals. Our guarantee excludes accidental damages such as those occurring during transport without written notification upon receipt, damages incurred during installation, and damages resulting from improper use and is limited to the replacement of the defective part or unit in its entirety at the sole discretion of CF + D the manufacturer. This warranty does not include the reimbursement of labor cost or related costs incurred to conduct the replacement of parts or entire unit should it be deemed necessary.

We thank you for your support and your business!

**CF + D** | custom fireplace design  
5230 Harvester Rd. #2  
Burlington, Ontario L7L 4X4  
T: 905-681-3070  
Toll Free: 1-866-909-3070  
F: 905-681-8697  
[www.customfireplacedesign.com](http://www.customfireplacedesign.com)

North American Designed and Manufactured by **CF + D** | custom fireplace design

**VITA** | Fireplaces

2/4/19

# APPENDIX B

## Vapor-Fire Service Manual

# Vapor-Fire

By  
**CF + D** | custom fireplace design

## Service Manual

For Dimplex

Model(s)  
CDFI1000-PRO  
6909660300

CDFI500-PRO  
6909660400



**IMPORTANT SAFETY INFORMATION:** Always read this manual first before attempting to service this cassette. For your safety, always comply with all warnings and safety instructions contained in this manual to prevent personal injury or property damage.

**CF + D** | custom fireplace design Inc.  
5230 Harvester Rd  
Burlington ON, CA L7L 4X4  
1-866-909-3070  
[www.customfireplacedesign.com](http://www.customfireplacedesign.com)

REV	PCN	DATE
00	-	21-12-15

In keeping with our policy of continuous product development, we reserve the right to make changes without notice.

7400880000R00



# TABLE OF CONTENTS

Operation.....	3
Maintenance.....	4
Exploded Parts Diagram.....	5
Replacement Parts List.....	5
Wiring Diagram.....	6
Switch Board Replacement.....	7
Terminal Block Replacement.....	7
Fan Assembly Replacement.....	8
Fused Wire Harness Replacement.....	8
Main Control Board Replacement.....	8
Power Supply Replacement.....	9
LED Light Assembly Replacement.....	10
Heating Element Replacement.....	10
Level Sensor Assembly Replacement.....	11
Solenoid Valve Replacement.....	12
Troubleshooting Guide.....	13

Always use a qualified technician or service agency to repair this cassette.

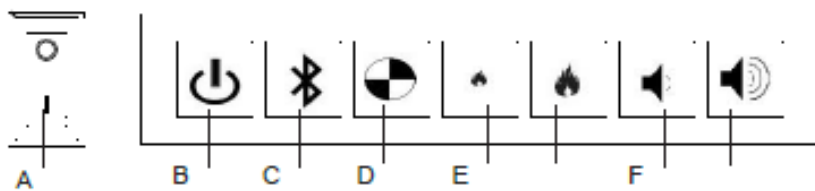
**! NOTE:** Procedures and techniques that are considered important enough to emphasize.

**⚠CAUTION:** Procedures and techniques which, if not carefully followed, will result in damage to the equipment.

**⚠WARNING:** Procedures and techniques which, if not carefully followed, will expose the user to the risk of fire, serious injury, or death.

# OPERATION

Figure 1



**WARNING:** This electric firebox must be properly installed before it is used.

The unit has two separate internal modules that are controlled by the settings entered on the left side (primary). Finer adjustment can be done using the controls on the right module to have both modules operating at the same

level (secondary).

There are three different control options available for the unit: manual (under the media tray), tethered controller (must be connected to the unit) and a remote control.

**NOTE:** When the unit is used in an environment where background noise is very low, it may be possible to hear a sound which is related to the operation of the flame effect. This is normal and should not be a cause for concern.

**NOTE:** Always ensure that the appliance is fixed to the framing in a level position.

## Controls

### A . On/Off Switch

Supplies power to the unit.

**NOTE:** When the unit is first turned on the lights will come on and mist will appear 45 seconds later.

### B . Standby

Puts the unit into standby mode where control by the tethered controller or remote is possible.

### C . Blue tooth

Required for initializing the remote together, see initialization instructions for more detail.

### D . Test Mode

Used for troubleshooting issues - outlined in detail in the service manual.

### E . Flame Intensity Control

Adjusts the intensity of the flame and smoke effect when the unit has been activated.

Pressing the flame icon will decrease the flame effect and pressing the flame icon with a vertical line through it will increase the flame effect.

**NOTE:** A few moments will be required between adjustment and a change to the flame effect.

**NOTE:** During normal operation it is expected to see some condensation of water on the media tray. This will vary depending on ambient conditions and should be considered normal.

**NOTE:** When the water tank is empty the unit will turn off after 30 seconds.

Figure 2



Tethered Controller

**NOTE:** The icons with 1 dot indicate controls for the primary and 2 dots indicate controls for the secondary.

### F. Volume Control

Adjusts the volume of the wood fire sound effects.

**On the unit:** Pressing the flame icon with a vertical line through it will decrease the volume and pressing the speaker icon will increase the volume.

**On the Tethered Controller:** Pressing the speaker icon will turn On and Off the volume.

**The tethered controller** must be connected to the unit and On/Off Switch must be in the 'ON' ( I ) position in order to operate.

1. Install the tethered controller to the unit - plug into the port on the on the right module and run the wire out of the housing through the opening in the center of the back panel.
2. Place the On/Off Switch (Figure 1A) in the On ("I") position.
3. Press the blue tooth initialization button on the Primary controls (left side).
4. The unit will begin to beep and turn the lights on and off every 2 ½ seconds to indicate that the unit is in synchronization mode.
5. Within 20 seconds of pressing the blue tooth button, it will become visible by an enabled device (figure 2)  
**NOTE:** You will have only 20 seconds to perform this last step. Failure to do so will result in these steps needing to be followed again.
6. If the synchronization was successful the unit will go to Standby.

This will synchronize the enabled device and the fireplace receiver.

# Vapor-Fire Maintenance

**⚠ WARNING:** Disconnect power before attempting any maintenance or cleaning to reduce the risk of fire, electric shock or damage to persons.

## Filling the water tank

When the water tank is empty, the flame effect shuts off and you will hear 2 audible beeps, follow these steps.

**⚠ CAUTION:** Allow at least five minutes for components to cool before disassembling the unit to refill.

1. Gently remove the top tray and place it carefully on the ground.
2. Turn the On/Off switch to the off position (0) (Figure 1A)
3. Remove the refill container by lifting upwards and outwards.
4. Refill the container with tap water.

**! NOTE:** Normal tap water can be used in the Vapor-Fire as long as the tap water is not considered to be hard water. In the event your tap water is hard, you may use softened water or distilled water with ¼ tsp. of salt (0.5 mL) added to the water reservoir. (The use of additional salt ~~blow~~ you notice that the unit is not producing mist as expected.)

5. Screw the cap back on, *do not overtighten*.
6. Return the refill container to the sump, with the tank cap facing down and the flat side of the tank facing outward.
7. Turn the On/Off switch to the off position (I). (Figure 1A)
8. Gently place the top tray back into position.

If you do not intend on using the unit for longer than 2

weeks, empty and drain the unit of water, and dry all of the water containing components.

## Transducer Replacement

After prolonged usage the ability for the unit to produce mist may become reduced. When this occurs the replacement of the transducer may be required. This unit comes with 2 additional transducers, located behind the right module, which can installed when this occurs.

**! NOTE:** There is a small tab that holds the transducer in place, that needs to be released before it can be removed.

## Cleaning

It is recommended that the top cover assembly, sump and transducer are cleaned with soap and water on a *biweekly* basis.

**⚠ CAUTION:** Do not put plastic components in the dishwasher.

## Filter Cleaning

The air filters can be removed and gently rinsed with water to clean and dried on a towel before reinstalling.

**! NOTE:** Replace the filter so that the coarse black filter is facing the back of the unit.

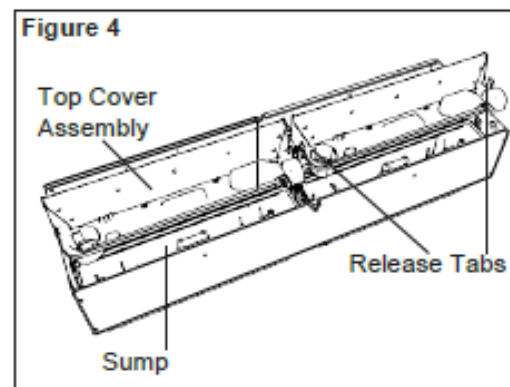
## Surface Cleaning

Use a warm damp cloth only to clean surfaces of the unit. Do not use abrasive cleaners.

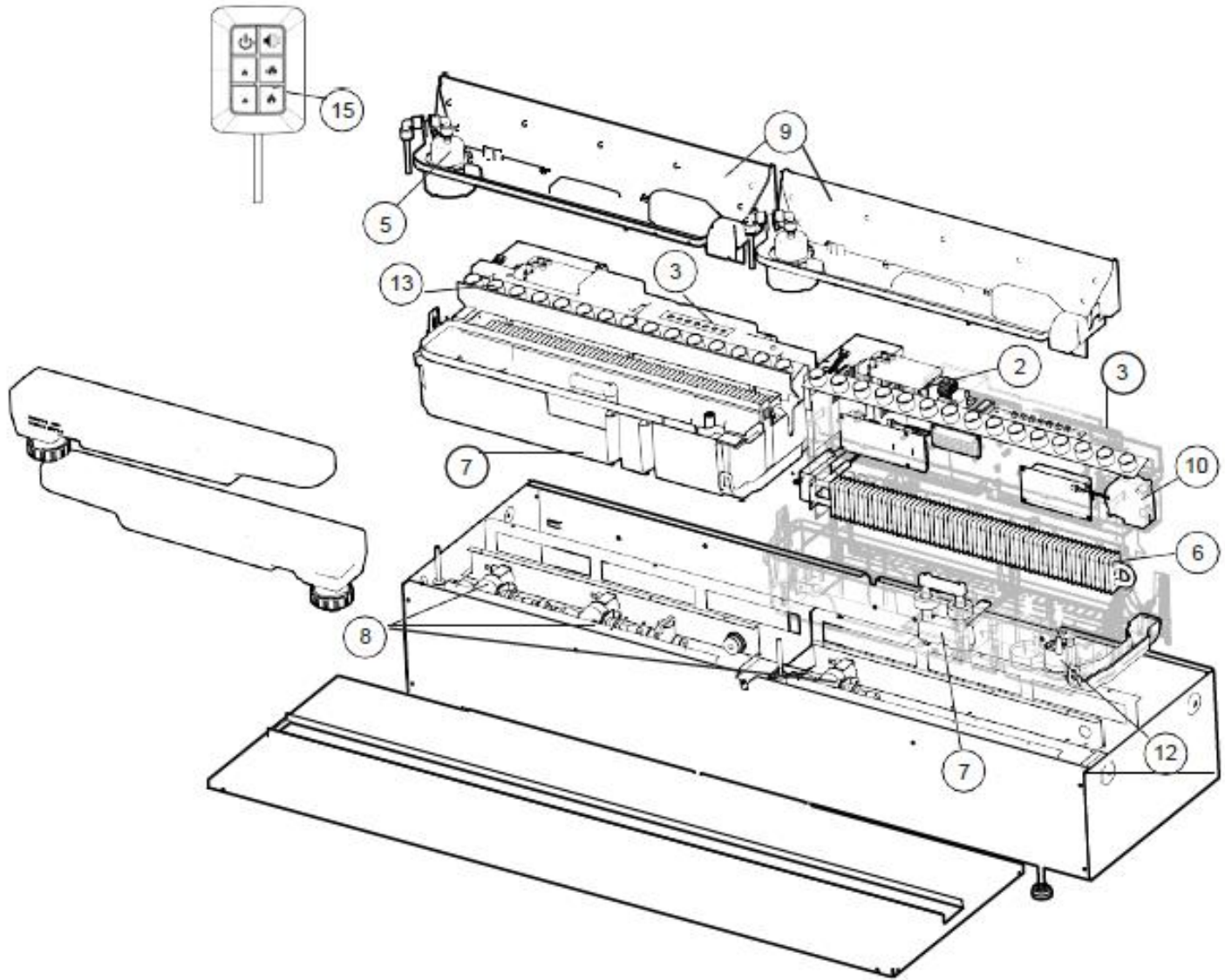
**! NOTE:** If you need to move the unit ensure that all of the components that contain water have been emptied before relocating.

## Servicing

Except for installation and cleaning described in this manual, an authorized service representative should perform any other servicing.



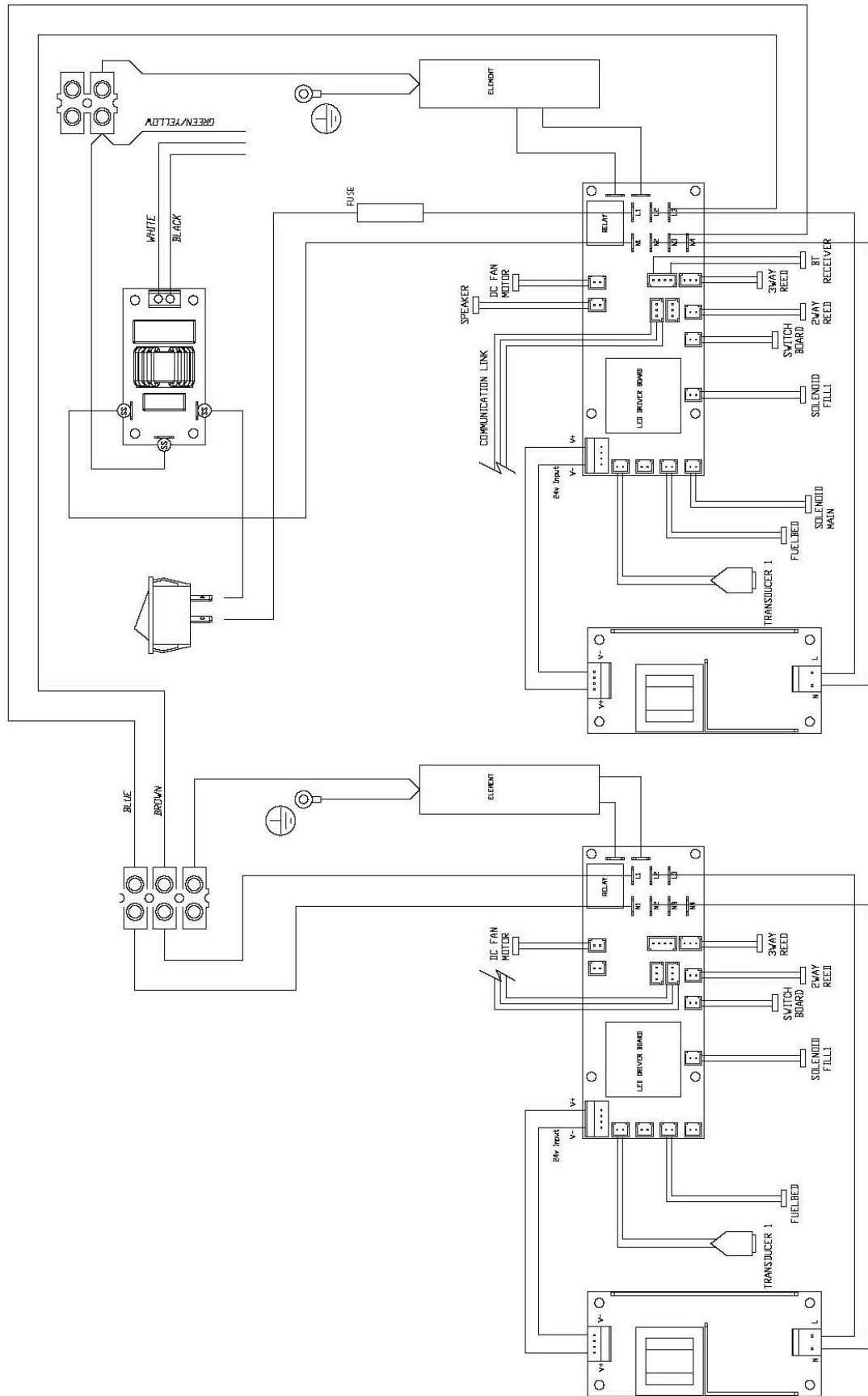
# EXPLODED PARTS DIAGRAM



## REPLACEMENT PARTS LIST

1. Main Control Board .....	9601270100RP	11. Fan Filter .....	8600300100RP
2. Terminal Block .....	9601260100RP	12. Transducer .....	9601210100RP
3. Switch Board .....	9601290100RP	13. LED Light Assembly .....	9601250100RP
4. Power Supply .....	9601300100RP	14. N/A	
5. Fill Cap Assembly .....	9601230100RP	15. Tethered Controller / Receiver .....	9601120100RP
6. Heating Element .....	9601240100RP	16. Fused Wire harness .....	9601340100RP
7. Level Sensor Assembly .....	9601320100RP	17. Removable Refill Container with Cap .....	9601350100RP
8. Solenoid Valve .....	9601330100RP	18. Log set Assembly .....	CDFILOG-KIT
9. Top Cover Assembly .....	9601220100RP	19. Plumbing Piercing Kit .....	CDFIPLUMB-KIT
10. Fan Assembly .....	9601310100RP		

# WIRING DIAGRAM



## SWITCH BOARD REPLACEMENT

Tools Required: Phillips head screwdriver

**⚠ WARNING:** Disconnect power before attempting any maintenance to reduce the risk of electric shock or damage to persons.

**! NOTE:** Ensure that all of the components that contain water have been emptied and source water has been turned off before performing any maintenance.

1. Disconnect and remove the media tray or log set from the unit and put them in a safe place.
2. On the side the replacement is required, remove the securing screws and metal wire cover.
3. Remove the 4 screws and the electronics cover from the unit. (Figure 4)

**! NOTE:** Use caution when removing the electronics cover, to prevent strain on the connector wire attached to it.

4. Locate the switch board to be replaced.
5. Gently lift the switch board off of the mounting stands.
6. Disconnect the wire connection from the back of the board.
7. Attach the wire connection to the new board and place on the mounting stands.
8. Re-assemble the remainder of the cassette in reverse order from the instructions above.

## TERMINAL BLOCK REPLACEMENT

Tools Required: Phillips head screwdriver

**⚠ WARNING:** Disconnect power before attempting any maintenance to reduce the risk of electric shock or damage to persons.

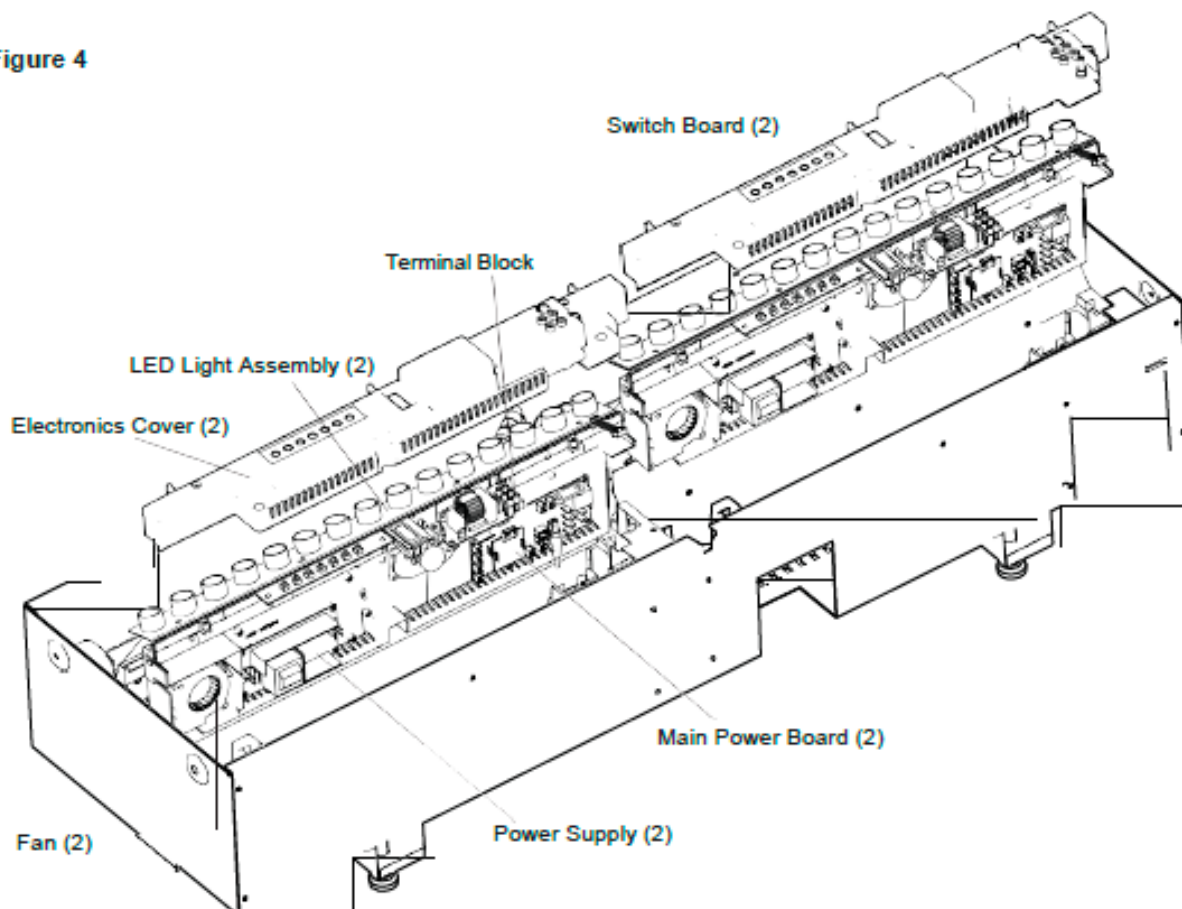
**! NOTE:** Ensure that all of the components that contain water have been emptied and source water has been turned off before performing any maintenance.

1. Disconnect and remove the media tray or log set from the unit and put them in a safe place.
2. On the secondary side remove the securing screws and metal wire cover.
3. Remove the 4 screws and the electronics cover from the unit. (Figure 4)

**! NOTE:** Use caution when removing the electronics cover, to prevent strain on the connector wire attached to it.

4. Locate the terminal block to be replaced.
5. Disconnect the wire connections from the original block and install it on the new block.
6. Replace the terminal block in the original position - the terminal block is located so that it sits on the moulded pins on the surface below.
7. Re-assemble the remainder of the cassette in reverse order from the instructions above.

Figure 4



## FAN ASSEMBLY REPLACEMENT

Tools Required: Phillips head screwdriver

**⚠ WARNING:** Disconnect power before attempting any maintenance to reduce the risk of electric shock or damage to persons.

**! NOTE:** Ensure that all of the components that contain water have been emptied and source water has been turned off before performing any maintenance.

### Primary Side

1. Disconnect and remove the media tray or log set from the unit and put them in a safe place.
2. Remove the securing screws and metal wire cover at the end of both of the electronics covers.
3. Remove the 4 screws and both of the electronics covers from the unit. (Figure 4)

**! NOTE:** Use caution when removing the electronics cover, to prevent strain on the connector wire attached to it.

4. Holding the assembly at either end of the LED light strip, on the primary end, gently lift the electronics assembly out of the unit (Figure 4).

**! NOTE:** There are several wires that run between the two sides, these wires will need to be gently removed through the opening on the secondary side to allow the primary electronics assembly to be lifted out.

5. Locate the fan assembly.
6. Trace the control wires to the main control board and disconnect.
7. Replace with wire from new fan.
8. Run wiring back to location for fan, and install the fan.
9. Reinsert the electronics assembly.

**⚠ CAUTION:** Ensure that the switchboard and terminal block have not moved from their original locations and all wires are contained under the cover before reassembly.

10. Re-assemble the remainder of the cassette in reverse order from the instructions above.

### Secondary Side

1. Disconnect and remove the media tray or log set from the unit and put them in a safe place.
2. Remove the 4 screws and the electronics cover from the unit. (Figure 4)

**! NOTE:** Use caution when removing the electronics cover, to prevent strain on the connector wire attached to it.

3. Holding the assembly at either end of the LED light strip, on the primary end, gently lift the electronics assembly out of the unit (Figure 4).
4. Locate the fan assembly.
5. Trace the control wires to the main control board and disconnect.
6. Replace with wire from new fan.
7. Run wiring back to location for fan, and install the fan.
8. Reinsert the electronics assembly.

**⚠ CAUTION:** Ensure that the switchboard and terminal block have not moved from their original locations and all wires are contained under the cover before reassembly.

9. Re-assemble the remainder of the cassette in reverse order from the instructions above.

## FUSED WIRE HARNESS REPLACEMENT

Tools Required: Phillips head screwdriver

**⚠ WARNING:** Disconnect power before attempting any maintenance to reduce the risk of electric shock or damage to persons.

**! NOTE:** Ensure that all of the components that contain water have been emptied and source water has been turned off before performing any maintenance.

### Primary Side

1. Disconnect and remove the media tray or log set from the unit and put them in a safe place.
2. Remove the securing screws and metal wire cover at the end of both of the electronics covers.
3. Remove the 4 screws and both of the electronics covers from the unit. (Figure 4)

**! NOTE:** Use caution when removing the electronics cover, to prevent strain on the connector wire attached to it.

4. Remove the cable clamp, to allow for the assembly to be lifted out to better access the components.
5. Holding the assembly at either end of the LED light strip, on the primary end, gently lift the electronics assembly out of the unit (Figure 4).

**! NOTE:** There are several wires that run between the two sides, these wires will need to be gently removed through the opening on the secondary side to allow the primary electronics assembly to be lifted out.

6. Locate the fused wire harness (brown wire from main switch to main control board with in line fuse).
7. Replace current wire harness with new wire harness.

**! NOTE:** A flat head screwdriver can be used to gently pry between the end of the connector and the switch to release the wires.

8. Replace all of the wiring to their original locations and reinsert the electronics assembly.

**⚠ CAUTION:** Ensure that the switchboard and terminal block have not moved from their original locations and all wires are contained under the cover before reassembly.

9. Re-assemble the remainder of the cassette in reverse order from the instructions above.

## MAIN CONTROL BOARD REPLACEMENT

Tools Required: Phillips head screwdriver

**⚠ WARNING:** Disconnect power before attempting any maintenance to reduce the risk of electric shock or damage to persons.

**! NOTE:** Ensure that all of the components that contain water have been emptied and source water has been turned off before performing any maintenance.

### *Primary Side*

1. Disconnect and remove the media tray or log set from the unit and put them in a safe place.
2. Remove the securing screws and metal wire cover at the end of both of the electronics covers.
3. Remove the 4 screws and both of the electronics covers from the unit. (Figure 4)

**! NOTE:** Use caution when removing the electronics cover, to prevent strain on the connector wire attached to it.

4. Remove the cable clamp, to allow for the assembly to be lifted out to better access the components.
5. Holding the assembly at either end of the LED light strip, on the primary end, gently lift the electronics assembly out of the unit (Figure 4).

**! NOTE:** There are several wires that run between the two sides, these wires will need to be gently removed through the opening on the secondary side to allow the primary electronics assembly to be lifted out.

6. Locate the main control board.
7. Transfer the wires from the old board to the new board.

**! NOTE:** A flat head screwdriver can be used to gently pry between the end of the connector and the switch to release the wires.

8. Remove the old board from the unit and replace with the new board.
9. Replace all of the wiring to their original locations and reinsert the electronics assembly.

**⚠ CAUTION:** Ensure that the switchboard and terminal block have not moved from their original locations and all wires are contained under the cover before reassembly.

10. Re-assemble the remainder of the cassette in reverse order from the instructions above.

### *Secondary Side*

1. Disconnect and remove the media tray or log set from the unit and put them in a safe place.
2. Remove the 4 screws and the electronics cover from the unit. (Figure 4)

**! NOTE:** Use caution when removing the electronics cover, to prevent strain on the connector wire attached to it.

3. Holding the assembly at either end of the LED light strip, on the primary end, gently lift the electronics assembly out of the unit (Figure 4).
4. Locate the main control board.
5. Transfer the wires from the old board to the new board.

**! NOTE:** A flat head screwdriver can be used to gently pry between the end of the connector and the switch to release the wires.

6. Remove the old board from the unit and replace with the new board.
7. Replace all of the wiring to their original locations and reinsert the electronics assembly.

**⚠ CAUTION:** Ensure that the switchboard and terminal

block have not moved from their original locations and all wires are contained under the cover before reassembly.

8. Re-assemble the remainder of the cassette in reverse order from the instructions above.

## **POWER SUPPLY REPLACEMENT**

**Tools Required:** Phillips head screwdriver

**⚠ WARNING:** Disconnect power before attempting any maintenance to reduce the risk of electric shock or damage to persons.

**! NOTE:** Ensure that all of the components that contain water have been emptied and source water has been turned off before performing any maintenance.

### *Primary Side*

1. Disconnect and remove the media tray or log set from the unit and put them in a safe place.
2. Remove the securing screws and metal wire cover at the end of both of the electronics covers.
3. Remove the 4 screws and both of the electronics covers from the unit. (Figure 4)

**! NOTE:** Use caution when removing the electronics cover, to prevent strain on the connector wire attached to it.

4. Remove the cable clamp, to allow for the assembly to be lifted out to better access the components.
5. Holding the assembly at either end of the LED light strip, on the primary end, gently lift the electronics assembly out of the unit (Figure 4).

**! NOTE:** There are several wires that run between the two sides, these wires will need to be gently removed through the opening on the secondary side to allow the primary electronics assembly to be lifted out.

6. Locate the power supply assembly.
7. Transfer the wires from the old board to the new board.

**! NOTE:** A flat head screwdriver can be used to gently pry between the end of the connector and the switch to release the wires.

8. Remove the old board from the unit and replace with the new board.
9. Replace all of the wiring to their original locations and reinsert the electronics assembly.

**⚠ CAUTION:** Ensure that the switchboard and terminal block have not moved from their original locations and all wires are contained under the cover before reassembly.

10. Re-assemble the remainder of the cassette in reverse order from the instructions above.

### *Secondary Side*

1. Disconnect and remove the media tray or log set from the unit and put them in a safe place.
2. Remove the 4 screws and the electronics cover from the unit. (Figure 4)

**! NOTE:** Use caution when removing the electronics cover, to prevent strain on the connector wire attached to it.

3. Holding the assembly at either end of the LED light



strip, on the primary end, gently lift the electronics assembly out of the unit (Figure 4).

4. Locate the power supply assembly.
5. Transfer the wires from the old board to the new board.

! **NOTE:** A flat head screwdriver can be used to gently pry between the end of the connector and the switch to release the wires.

6. Remove the old board from the unit and replace with the new board.
7. Replace all of the wiring to their original locations and reinsert the electronics assembly.

⚠ **CAUTION:** Ensure that the switchboard and terminal block have not moved from their original locations and all wires are contained under the cover before reassembly.

8. Re-assemble the remainder of the cassette in reverse order from the instructions above.

## LED LIGHT ASSEMBLY REPLACEMENT

Tools Required: Phillips head screwdriver

⚠ **WARNING:** Disconnect power before attempting any maintenance to reduce the risk of electric shock or damage to persons.

! **NOTE:** Ensure that all of the components that contain water have been emptied and source water has been turned off before performing any maintenance.

### Primary Side

1. Disconnect and remove the media tray or log set from the unit and put them in a safe place.
2. Remove the securing screws and metal wire cover at the end of both of the electronics covers.
3. Remove the 4 screws and both of the electronics covers from the unit. (Figure 4)

! **NOTE:** Use caution when removing the electronics cover, to prevent strain on the connector wire attached to it.

4. Remove the cable clamp, to allow for the assembly to be lifted out to better access the components.
5. Holding the assembly at either end of the LED light strip, on the primary end, gently lift the electronics assembly out of the unit (Figure 4).

! **NOTE:** There are several wires that run between the two sides, these wires will need to be gently removed through the opening on the secondary side to allow the primary electronics assembly to be lifted out.

6. Gently lift the LED light assembly off of the standoffs.
7. Trace the control wire back to the main control board and replace with the wire from the new assembly.
8. Install the new LED light assembly, ensuring that all of the wires are installed in the same location as the previous one.
9. Replace all of the wiring to their original locations and reinsert the electronics assembly.

⚠ **CAUTION:** Ensure that the switchboard and terminal block have not moved from their original locations and all

wires are contained under the cover before reassembly.

10. Re-assemble the remainder of the cassette in reverse order from the instructions above.

### Secondary Side

1. Disconnect and remove the media tray or log set from the unit and put them in a safe place.

2. Remove the 4 screws and the electronics cover from the unit. (Figure 4)

! **NOTE:** Use caution when removing the electronics cover, to prevent strain on the connector wire attached to it.

3. Holding the assembly at either end of the LED light strip, on the primary end, gently lift the electronics assembly out of the unit (Figure 4).
4. Gently lift the LED light assembly off of the standoffs.
5. Trace the control wire back to the main control board and replace with the wire from the new assembly.
6. Install the new LED light assembly, ensuring that all of the wires are installed in the same location as the previous one.
7. Replace all of the wiring to their original locations and reinsert the electronics assembly.

⚠ **CAUTION:** Ensure that the switchboard and terminal block have not moved from their original locations and all wires are contained under the cover before reassembly.

8. Re-assemble the remainder of the cassette in reverse order from the instructions above.

## HEATING ELEMENT REPLACEMENT

Tools Required: Phillips head screwdriver

⚠ **WARNING:** Disconnect power before attempting any maintenance to reduce the risk of electric shock or damage to persons.

! **NOTE:** Ensure that all of the components that contain water have been emptied and source water has been turned off before performing any maintenance.

### Primary Side

1. Disconnect and remove the media tray or log set from the unit and put them in a safe place.
2. Remove the securing screws and metal wire cover at the end of both of the electronics covers.
3. Remove the 4 screws and both of the electronics covers from the unit. (Figure 4)

! **NOTE:** Use caution when removing the electronics cover, to prevent strain on the connector wire attached to it.

4. Remove the cable clamp, to allow for the assembly to be lifted out to better access the components.
5. Holding the assembly at either end of the LED light strip, on the primary end, gently lift the electronics assembly out of the unit (Figure 4).

! **NOTE:** There are several wires that run between the two sides, these wires will need to be gently removed through the opening on the secondary side to allow the primary electronics assembly to be lifted out.

6. Locate the 2 screws that secure the element assembly (element and brackets) to the unit and remove.
7. Lift the element assembly out of the unit.
8. Disconnect the element from the main control board.
9. Remove the element from the mounting bracket and install the new element.
10. Attach the new element to the main control board.
11. Install and secure the element assembly into the unit.
12. Replace all of the wiring to their original locations and reinsert the electronics assembly.

**⚠ CAUTION:** Ensure that the switchboard and terminal block have not moved from their original locations and all wires are contained under the cover before reassembly.

13. Re-assemble the remainder of the cassette in reverse order from the instructions above.

### Secondary Side

1. Disconnect and remove the media tray or log set from the unit and put them in a safe place.
2. Remove the 4 screws and the electronics cover from the unit. (Figure 4)

**! NOTE:** Use caution when removing the electronics cover, to prevent strain on the connector wire attached to it.

3. Holding the assembly at either end of the LED light strip, on the primary end, gently lift the electronics assembly out of the unit (Figure 4).
4. Locate the 2 screws that secure the element assembly (element and brackets) to the unit and remove.
5. Lift the element assembly out of the unit.
6. Disconnect the element from the main control board.
7. Remove the element from the mounting bracket and install the new element.
8. Attach the new element to the main control board.
9. Install and secure the element assembly into the unit.
10. Replace all of the wiring to their original locations and reinsert the electronics assembly.

**⚠ CAUTION:** Ensure that the switchboard and terminal block have not moved from their original locations and all

wires are contained under the cover before reassembly.

11. Re-assemble the remainder of the cassette in reverse order from the instructions above.

## LEVEL SENSOR ASSEMBLY REPLACEMENT

Tools Required: Phillips head screwdriver

**⚠ WARNING:** Disconnect power before attempting any maintenance to reduce the risk of electric shock or damage to persons.

**! NOTE:** Ensure that all of the components that contain water have been emptied and source water has been turned off before performing any maintenance.

### Primary Side

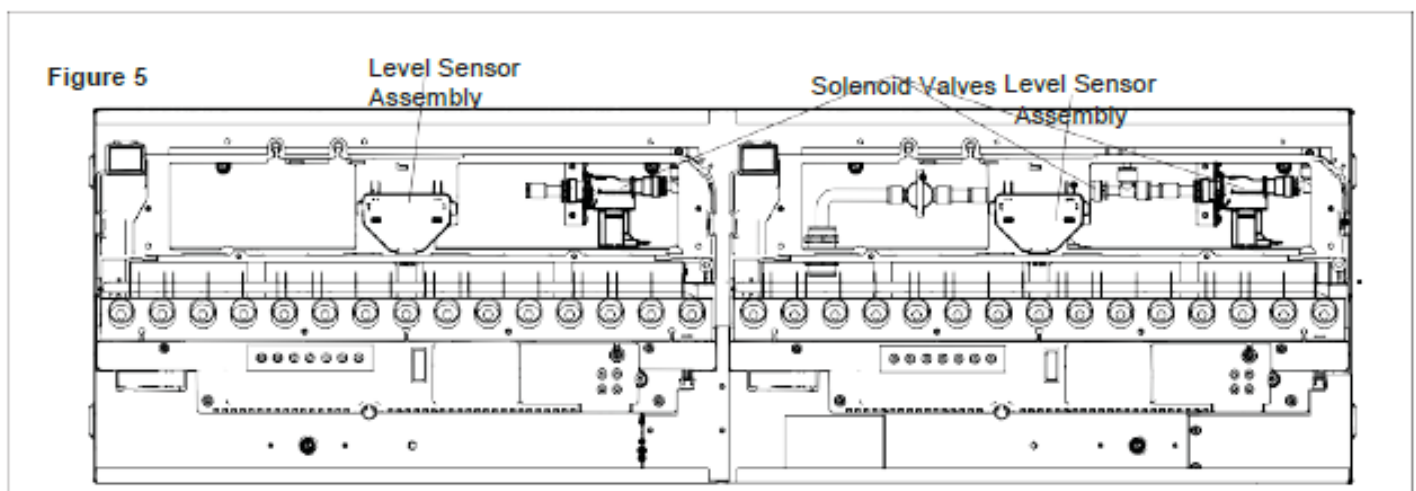
1. Disconnect and remove the media tray or log set from the unit and put them in a safe place.
2. Remove the securing screws and metal wire cover at the end of both of the electronics covers.
3. Remove the 4 screws and both of the electronics covers from the unit. (Figure 4)

**! NOTE:** Use caution when removing the electronics cover, to prevent strain on the connector wire attached to it.

4. Remove the cable clamp, to allow for the assembly to be lifted out to better access the components.
5. Holding the assembly at either end of the LED light strip, on the primary end, gently lift the electronics assembly out of the unit (Figure 4).

**! NOTE:** There are several wires that run between the two sides, these wires will need to be gently removed through the opening on the secondary side to allow the primary electronics assembly to be lifted out.

6. Remove the refill bottle, top cover, transducer and sump.
7. Locate the level sensor assembly. (Figure 5)
8. Trace and disconnect the control wire for the level sensor assembly back to the main control board.
9. Depress the two tabs along the one side of the assembly and slide the level sensor and wire out.



10. Run new wire through to main control board.
11. Install new level sensor.
12. Reconnect the control wire.

**⚠ CAUTION:** Ensure that the switchboard and terminal block have not moved from their original locations and all wires are contained under the cover before reassembly.

13. Re-assemble the remainder of the cassette in reverse order from the instructions above.

### *Secondary Side*

1. Disconnect and remove the media tray or log set from the unit and put them in a safe place.
2. Remove the 4 screws and the electronics cover from the unit. (Figure 4)

**! NOTE:** Use caution when removing the electronics cover, to prevent strain on the connector wire attached to it.

3. Holding the assembly at either end of the LED light strip, on the primary end, gently lift the electronics assembly out of the unit (Figure 4).
4. Remove the refill bottle, top cover, transducer and sump.
5. Locate the level sensor assembly. (Figure 5)
6. Trace and disconnect the control wire for the level sensor assembly back to the main control board.
7. Depress the two tabs along the one side of the assembly and slide the level sensor and wire out.
8. Run new wire through to main control board.
9. Install new level sensor.
10. Reconnect the control wire.

**⚠ CAUTION:** Ensure that the switchboard and terminal block have not moved from their original locations and all wires are contained under the cover before reassembly.

11. Re-assemble the remainder of the cassette in reverse order from the instructions above.

## **SOLENOID VALVE REPLACEMENT**

**Tools Required:** Short Phillips head screwdriver

**⚠ WARNING:** Disconnect power before attempting any maintenance to reduce the risk of electric shock or damage to persons.

**! NOTE:** Ensure that all of the components that contain water have been emptied and source water has been turned off before performing any maintenance.

### *Primary Side*

1. Disconnect and remove the media tray or log set from the unit and put them in a safe place.
2. Remove the securing screws and metal wire cover at the end of both of the electronics covers.
3. Remove the 4 screws and both of the electronics covers from the unit. (Figure 4)

**! NOTE:** Use caution when removing the electronics cover, to prevent strain on the connector wire attached to it.

4. Remove the cable clamp, to allow for the assembly to

be lifted out to better access the components.

5. Holding the assembly at either end of the LED light strip, on the primary end, gently lift the electronics assembly out of the unit (Figure 4).

**! NOTE:** There are several wires that run between the two sides, these wires will need to be gently removed through the opening on the secondary side to allow the primary electronics assembly to be lifted out.

6. Remove the refill bottle, top cover, transducer and sump.
7. Locate the solenoid valve to be replaced. (Figure 5)
8. Trace and disconnect the control wire for the solenoid back to the main control board.
9. Remove the two screws from the front face of the bracket to release the valve.
10. Disconnect the plumbing connections and remove the solenoid valve.
11. Run new wire through to main control board.
12. Install new solenoid valve.
13. Reconnect the control wire.

**⚠ CAUTION:** Ensure that the switchboard and terminal block have not moved from their original locations and all wires are contained under the cover before reassembly.

14. Re-assemble the remainder of the cassette in reverse order from the instructions above.

### *Secondary Side*

1. Disconnect and remove the media tray or log set from the unit and put them in a safe place.
2. Remove the 4 screws and the electronics cover from the unit. (Figure 4)

**! NOTE:** Use caution when removing the electronics cover, to prevent strain on the connector wire attached to it.

3. Holding the assembly at either end of the LED light strip, on the primary end, gently lift the electronics assembly out of the unit (Figure 4).
4. Remove the refill bottle, top cover, transducer and sump.
5. Locate the solenoid valve to be replaced. (Figure 5)
6. Trace and disconnect the control wire for the solenoid back to the main control board.
7. Remove the two screws from the front face of the bracket to release the valve.
8. Disconnect the plumbing connections and remove the solenoid valve.
9. Run new wire through to main control board.
10. Install new solenoid valve.
11. Reconnect the control wire..

**⚠ CAUTION:** Ensure that the switchboard and terminal block have not moved from their original locations and all wires are contained under the cover before reassembly.

12. Re-assemble the remainder of the cassette in reverse order from the instructions above.

## TROUBLESHOOTING GUIDE

**\*\* After the unit has shut down due to an error, a full reset of the unit will be required by turning the unit Off with the On/Off switch for 60 seconds then turning back On.**

PROBLEM	CAUSE	SOLUTION
<b>General</b>		
Unpleasant smell when unit is used.	Dirty or stale water.	Clean the unit as described under maintenance.
<b>Appearance</b>		
Fireplace does not turn on Manually (unit does not beep when switch turned)	Improper operation	Refer to Operation Section
	No incoming voltage from the electrical wall socket	Check Fuse/Breaker Panel
	Defective main control board	Replace main control board
Only one side of the unit is operating	Tethered controller not installed correctly	Ensure that connection has clicked into place
	Put unit in troubleshooting mode to test any of the functions listed	If none of the tests are working, replace the main control board
Fireplace does not turn on with the Remote Control	Improper operation	Refer to Operation Section
	The batteries in the remote control are dead	Install new battery into the remote control
	Tethered controller not installed correctly	Ensure that connection has clicked into place
	Remote not initialized with the unit	Initialize remote to unit. Unit will flash on and off during initialization, completion will be indicated with 5 beeps
	Remote signal is not being received by tethered controller	Ensure that tethered controller is in an open area that can receive signal from remote control
	Defective remote control (blue light on end of remote does not turn on when buttons are pressed)	Replace remote control
	Defective tethered controller	Replace tethered controller
The flame effect has too much smoke or is coming out too fast	Flame effect control is set too high	Adjust the flame height on both the secondary and/or primary controls
	Filter is missing off of Fan Housing	Replace Fan Filter
Mist is not coming out evenly	Condensation building up on the mist outlet	Remove the build up of condensation
	Unit is not level	Adjust the feet under the unit to ensure that the unit has been installed level, front to back and side to side
	Media is blocking air flow	Rearrange media to ensure mist outlet is not being blocked
	The transducer is not operating correctly - put the unit in troubleshooting mode to test the transducer	If the transducer is running, ensure that the emitter is clean and free of calcium deposits or scaling If the transducer is not running, replace the transducer with the provided additional transducer
The flame effect is too low	Flame effect control is set too low	Adjust the flame height on both the secondary and/or primary controls
	Verify that the unit is receiving 72 in <sup>2</sup> (460 cm <sup>2</sup> ) of air	Enlarge area for air to enter unit
	The fan is not operating correctly - put unit in troubleshooting mode to test the fan	If the fan is not running, replace fan assembly If the fan is running, ensure that the air filter is clean and dry
	The heating element is not operating correctly - put unit in troubleshooting mode to test the operation of the heating element	Replace the heating element
Unit is blinking every 8 seconds and is not operating	Water level in reservoir is too high **	Remove enough water from reservoir so that level is below maximum level
	The solenoids are not operating correctly - put unit in troubleshooting mode to test the operation of the solenoids	If the solenoids are not working, replace the solenoid


PROBLEM	CAUSE	SOLUTION
<b>Appearance Continued</b>		
Flame effect will not start - unit being operated with <i>refill bottle</i>	Improper operation	Mist will begin emitting out of the unit after 45 seconds of operation
	Low water level indicator and lights continuously blink twice **	Turn the unit off with the On/Off switch, refill the refill container and turn the unit back on
		Ensure that water bottle is level and positioned so that the water can easily flow to the water reservoir
		Manually fill the reservoir to the maximum line and if issues persists replace the level sensor assembly
	Water in unit is too cold	Allow water to warm to room temperature.
	Cord is located over emitter on transducer	Relocate cord so that mist is free to rise off of transducer.
	Transducer is not installed correctly	Ensure that the connection has clicked into place
	If using distilled or reverse osmosis water, unit will not produce a consistent mist	Add 1/8 tsp of table salt to water reservoir to introduce electrolytes, only repeat when mist is not being produced correctly
	The transducer is not operating correctly - put the unit in troubleshooting mode to test the transducer	If the transducer is running, ensure that the emitter is clean and free of calcium deposits or scaling
		If the transducer is not running, replace the transducer with the provided additional transducer
The fan is not operating correctly - put unit in troubleshooting mode to test the fan	If the fan is not running, replace fan assembly	
	If the fan is running, ensure that the air filter is clean and dry	
The heating element is not operating correctly	Replace the heating element	
Flame effect will not start - unit <i>hard plumbed</i> to water source	Improper operation	Mist will begin emitting out of the unit after 45 seconds of operation
	Transducer is not installed correctly	Ensure that the connection has clicked into place
	Cord is located over emitter on transducer	Relocate cord so that mist is free to rise off of transducer.
	Low water level indicator and lights continuously blink twice **	Turn the unit off with the On/Off switch, remove the top cover assembly, verify that ball valve is open, none of the water connections are leaking and supply water has not been turned off
		Manually fill the reservoir to the maximum line and if issues persists replace the level sensor assembly
	The solenoids are not operating correctly - put unit in troubleshooting mode to test the operation of the solenoids	If the solenoids are not working, replace the solenoid
	The transducer is not operating correctly - put the unit in troubleshooting mode to test the transducer	If the transducer is running, ensure that the emitter is clean and free of calcium deposits or scaling
		If the transducer is not running, replace the transducer with the provided additional transducer
The fan is not operating correctly - put unit in troubleshooting mode to test the fan	If the fan is not running, replace fan assembly	
	If the fan is running, ensure that the air filter is clean and dry	
Water is appearing around the unit	During normal operation it is expected to see some condensation of water on the media tray.	If condensation is present ensure that mist outlets are unobstructed
		Certain ambient conditions will cause condensation on the unit and in most cases will only occur on initial start up of the unit
Water is appearing beneath unit	Connections are leaking	Ensure that all water connections are tight and fully inserted
	Incoming water pressure is too high (only applicable on hard plumbed units)	Reduce water pressure to below 58 psi (8 bar)








PROBLEM	CAUSE	SOLUTION
<b>Appearance Continued</b>		
Unit is blinking every 8 seconds and is not operating	Water level in reservoir is too high **	Remove enough water from reservoir so that level is below maximum level
	The solenoids are not operating correctly - put unit in troubleshooting mode to test the operation of the solenoids	If the solenoids are not working, replace the solenoid
LED lights do not come on when unit is turned on	Defective LED light strip - put unit in troubleshooting mode to test the LED lights	Replace LED Light strip

## Troubleshooting Mode

The unit has a built-in troubleshooting mode to assist with determination of issues.

To put the unit in troubleshooting mode:

1. Place the unit in standby off (the toggle switch in the On position and everything else Off).
2. Press the troubleshooting button  (Figure 1D) on the side that the testing is required, unit will beep.
3. Press the following buttons to test functionality of listed components - press once will turn On and press again to turn off

	Component Test	Expected Functionality
	LED Driver	Lights turn On
	Sound	Crackling sound will turn On
	Fan	Fan will turn On
	Transducer	Transducer will turn On and bubbling will be seen coming out of the transducer
	Solenoids	Solenoids will turn On (the main solenoid coming in and the solenoid on the side being tested)
	Heater Relay	Relays will be activated to turn the heating element on, a quiet clicking noise can be heard
	Fuel Bed	LED's in fuel bed will turn On

4. After 15 seconds of inactivity the unit will beep and then return to regular Standby mode, or the On/Off button can be switched to Off to end the troubleshooting mode.

**VAPOR-FIRE** Systems  
are Design Built by CF + D custom  
fireplace design inc.  
Engines provided by Dimplex North  
America Ltd.

**CF + D** | custom fireplace design  
5230 Harvester Rd. Unit #2 Burlington, Ontario Canada  
L7L 4X4 t. 1-866-909-3070 t. 905-681-3070  
[www.customfireplacedesign.com](http://www.customfireplacedesign.com)