

VITA Fireplaces

North American Designed & Manufactured by **CF + D** | custom fireplace design



36" Single-Sided

Built-In Linear Fireplace with Vapor-Fire Burner

LAYOUT DRAWING

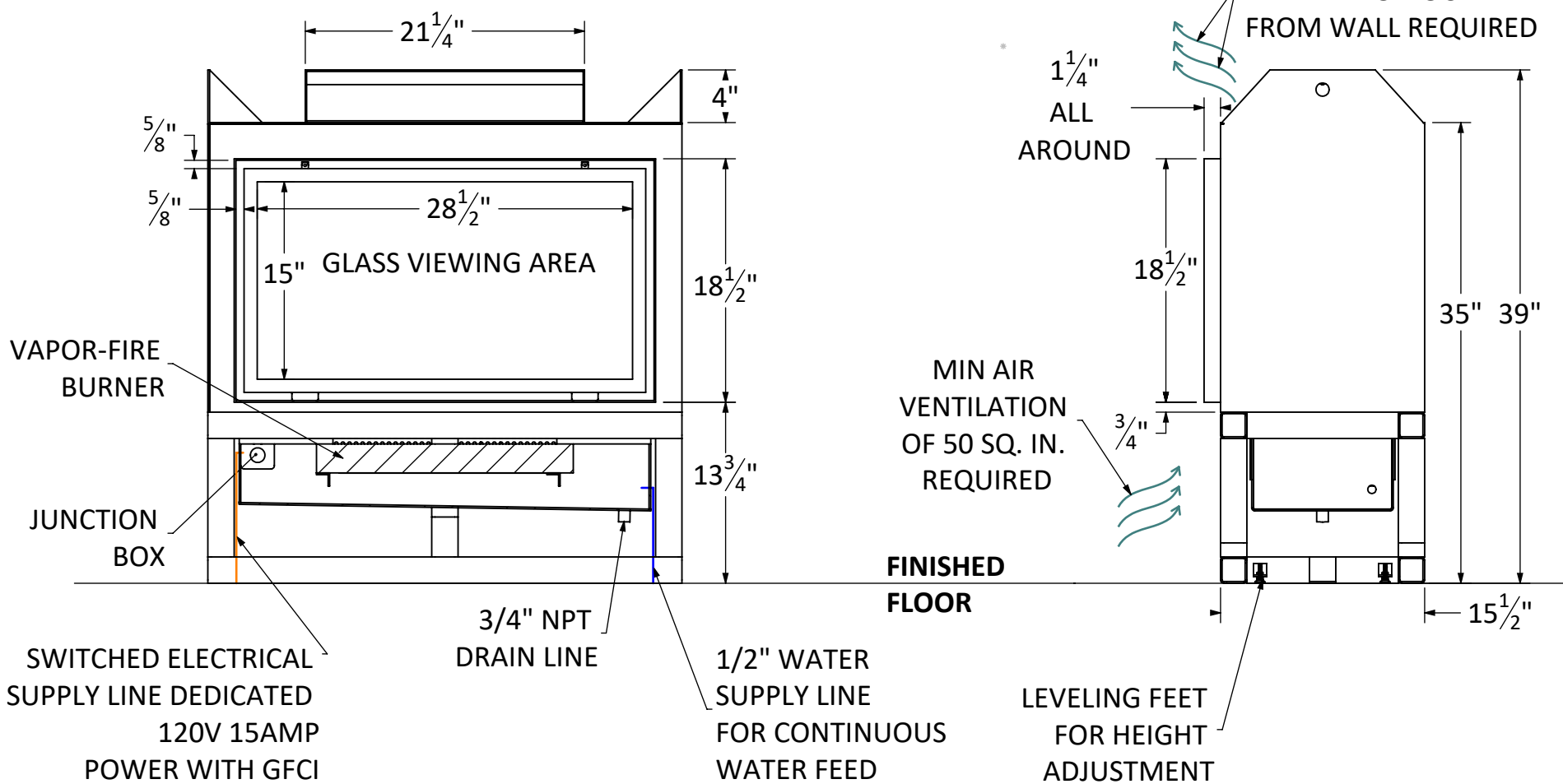
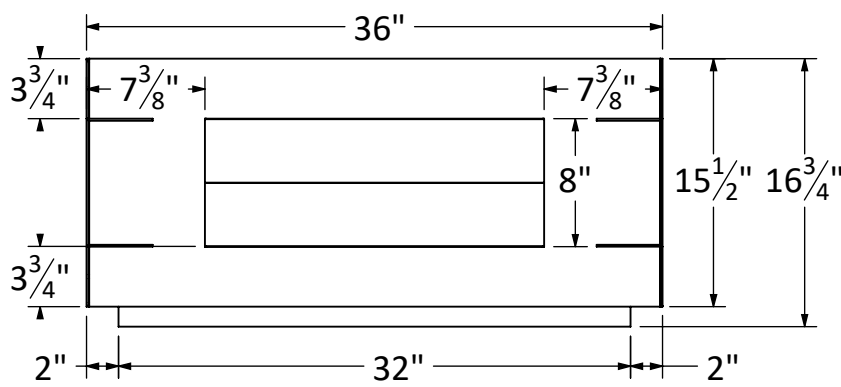
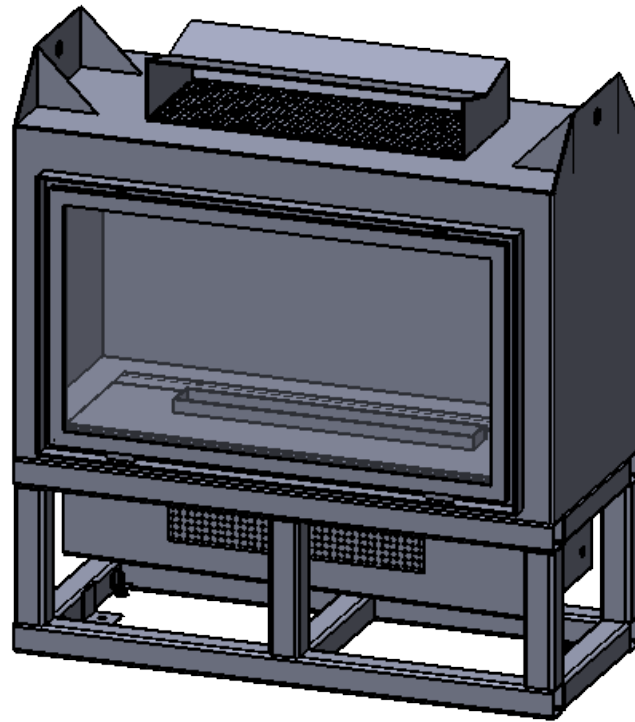
03/14/19

CF + D | custom fireplace design

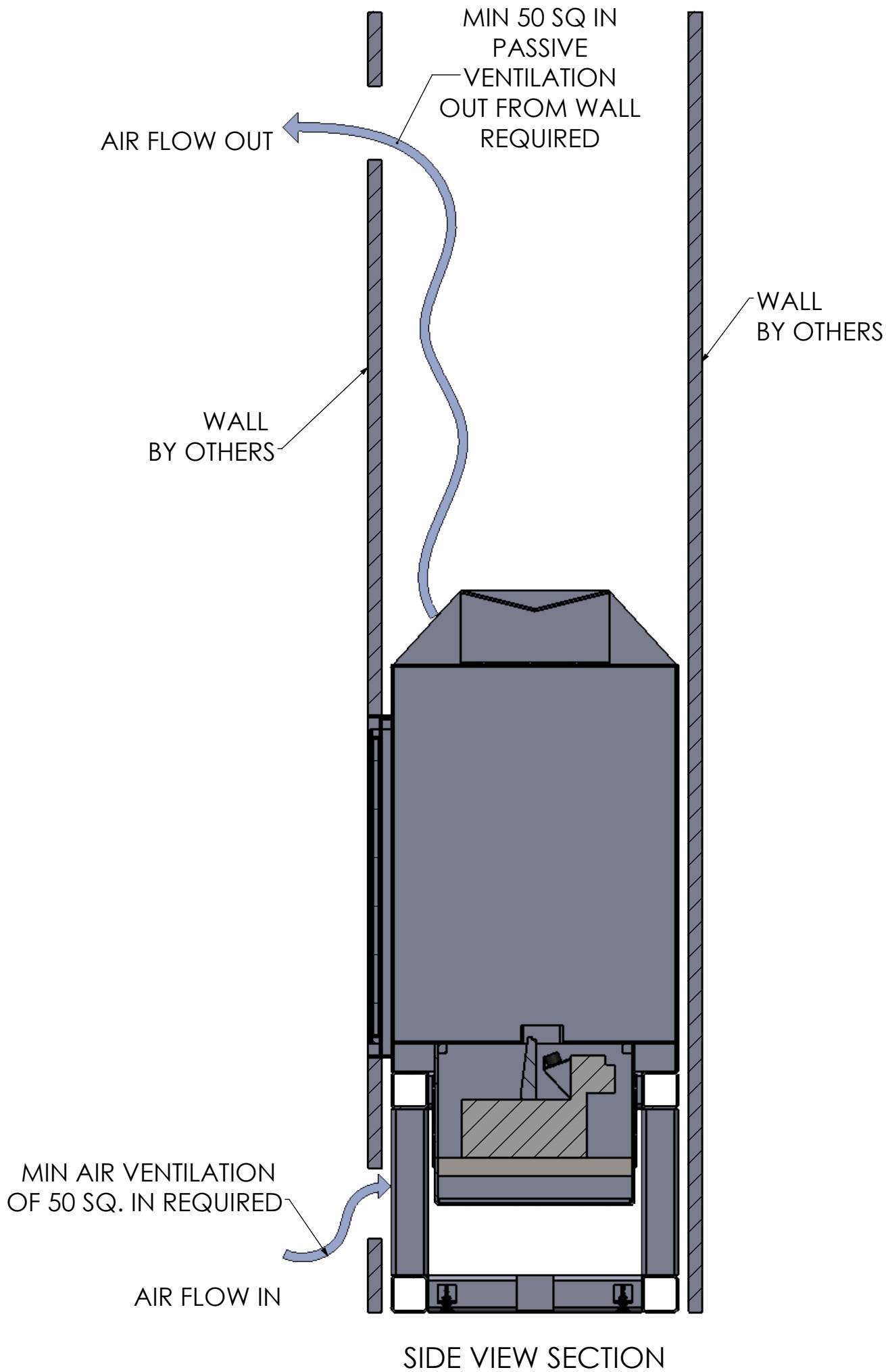
www.customfireplacedesign.com

VITA Fireplaces

36" Single-Sided | Built-In Linear Fireplace with Vapor-Fire Burner



Fireplace Weight	230 lbs. approx.	UNLESS OTHERWISE SPECIFIED: DIMENSIONS ARE IN INCHES TOLERANCES: FRACTIONAL ± ANGULAR: MACH ± BEND ± TWO PLACE DECIMAL ± THREE PLACE DECIMAL ± INTERPRET GEOMETRIC TOLERANCING PER: MATERIAL FINISH DO NOT SCALE DRAWING	NAME	DATE	MODEL: 36" Single-Sided	
Burner	1 x CDFI 500P		DRAWN	MP	3/14/2019	TITLE: LAYOUT DRAWING
Total Burner Length	20" Vapor-Fire Burner		CHECKED	MV	3/14/2019	
Airflow Requirement	50 Sq. Inches		ENG APPR.			
PROPRIETARY AND CONFIDENTIAL THE INFORMATION CONTAINED IN THIS DRAWING IS THE SOLE PROPERTY OF CUSTOM FIREPLACE DESIGN INC. ANY REPRODUCTION IN PART OR AS A WHOLE WITHOUT THE WRITTEN PERMISSION OF CUSTOM FIREPLACE DESIGN INC. IS PROHIBITED.			MFG APPR.			
		Q.A.			SIZE DWG. NO. REV A LVF-01 0	
		CF + D CUSTOM FIREPLACE DESIGN INC. 5230 HARVESTER RD. UNIT # 2 BURLINGTON, ONTARIO CANADA L7L 4X4 PHONE: 905-681-3070 FAX: 905-681-8697			SCALE: NTS SHEET 2 OF 3	



SIDE VIEW SECTION

VITA Fireplaces
36" Single-Sided | Built-In Linear Fireplace with Vapor-Fire Burner
Product Information

- Vapor-Fire burner technology
- Realistic flame without heat
- No venting requirements
- Safe to the touch
- Fueled by regular tap water
- 120 Volt 15 Amp-GFCI
- All fireplaces come in black matte finish
- Custom colors and patina finishes available
- Heat available
- 2" framing clearance required for installation

WATER SOURCE OPTIONS

- OPTION 1: Plumbed-In to main source water line, 1/2" reduced to 1/4" factory set connection.
 OPTION 2: Removable 1L container for manual fill approx. 8-10 hour burn time.

Recommended: 1 1/2" floor drain or condensate pump for potential leak management.

Note: Exact measurements may vary ±1/2".

North American Designed & Manufactured
 by
CF + D | custom fireplace design

UNLESS OTHERWISE SPECIFIED:		NAME	DATE	MODEL:	36" Single-Sided		
DIMENSIONS ARE IN INCHES		DRAWN	MP	3/14/2019	TITLE:		
TOLERANCES:		CHECKED	MV	3/14/2019	AIRFLOW REQUIREMENT		
FRACTIONAL ±		ENG APPR.			SIZE		
ANGULAR: MACH ± BEND ±		MFG APPR.			DWG. NO.	REV	
TWO PLACE DECIMAL ±		Q.A.			A	0	
THREE PLACE DECIMAL ±					LVF-01		
INTERPRET GEOMETRIC TOLERANCING PER:		CF + D CUSTOM FIREPLACE DESIGN INC. 5230 HARVESTER RD. UNIT # 2 BURLINGTON, ONTARIO CANADA L7L 4X4 PHONE: 905-681-3070 FAX: 905-681-8697			SCALE : NTS		SHEET 3 OF 3
MATERIAL							
FINISH		DO NOT SCALE DRAWING					