

# VITA Fireplaces

North American Designed & Manufactured by **CF + D** | custom fireplace design



## 72" Single-Sided

Built-In Linear Fireplace with Vapor-Fire Burner

LAYOUT DRAWING

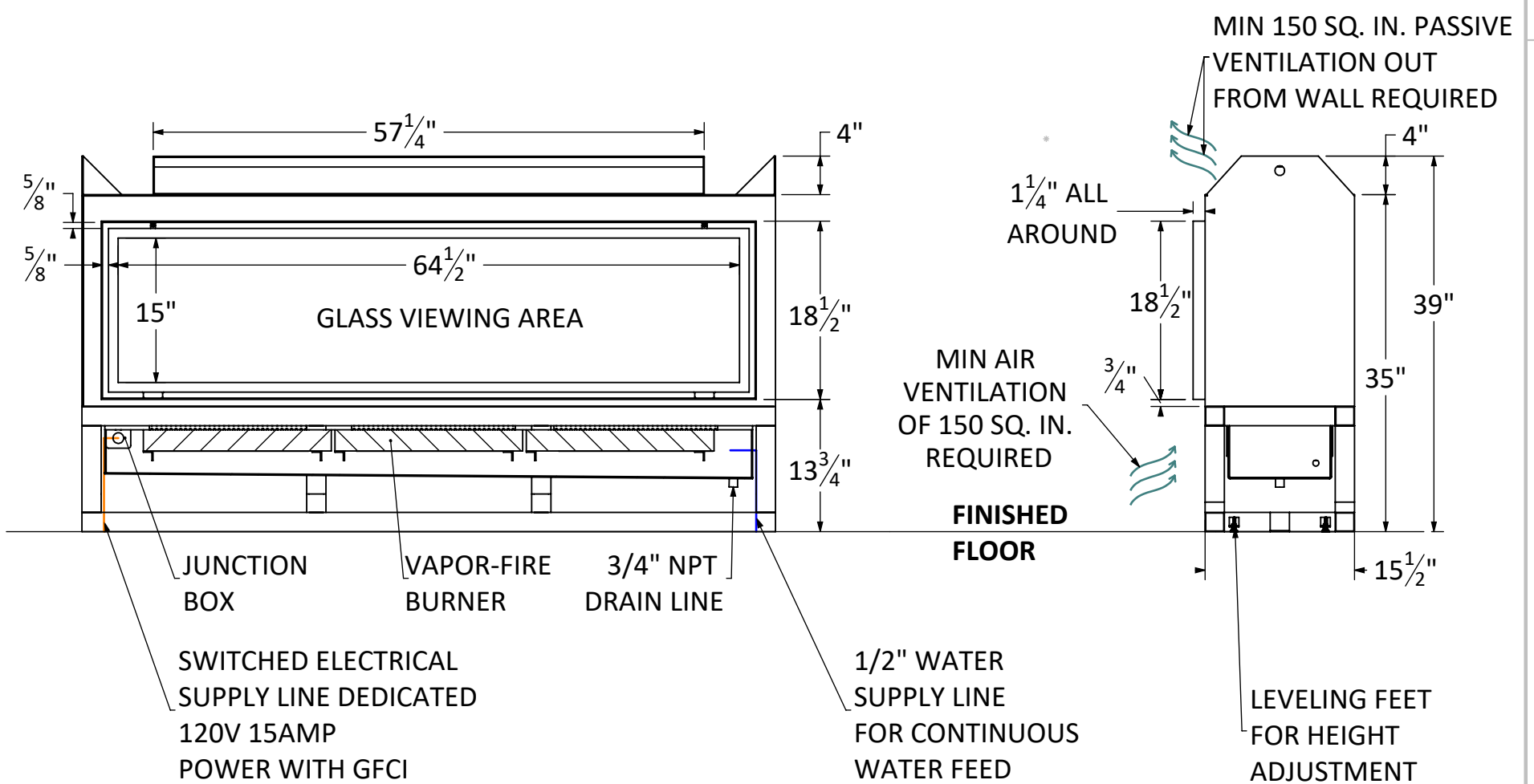
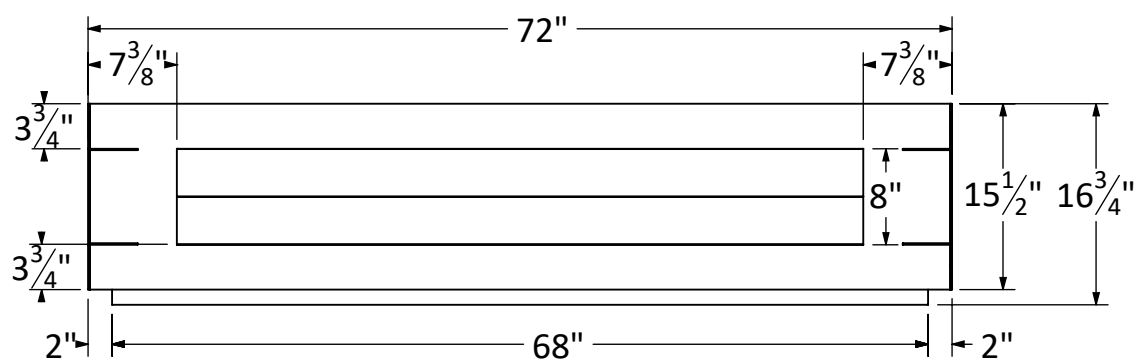
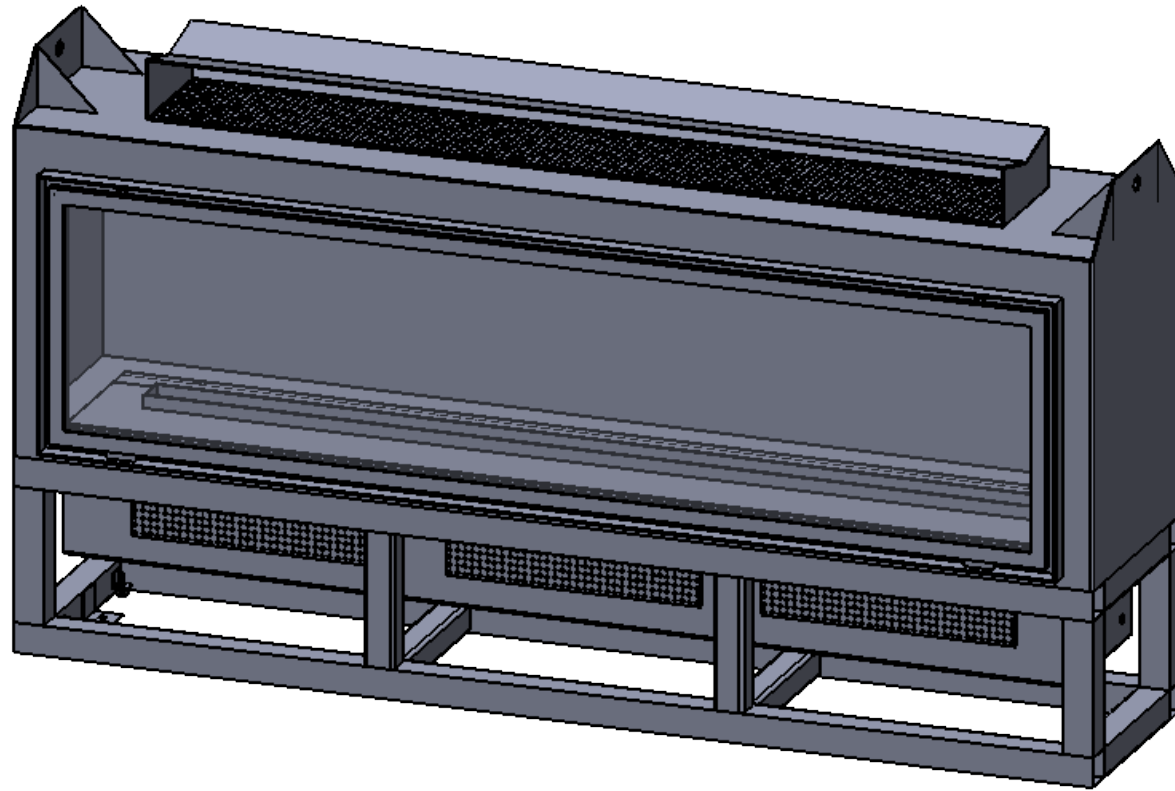
03/23/19

**CF + D** | custom fireplace design

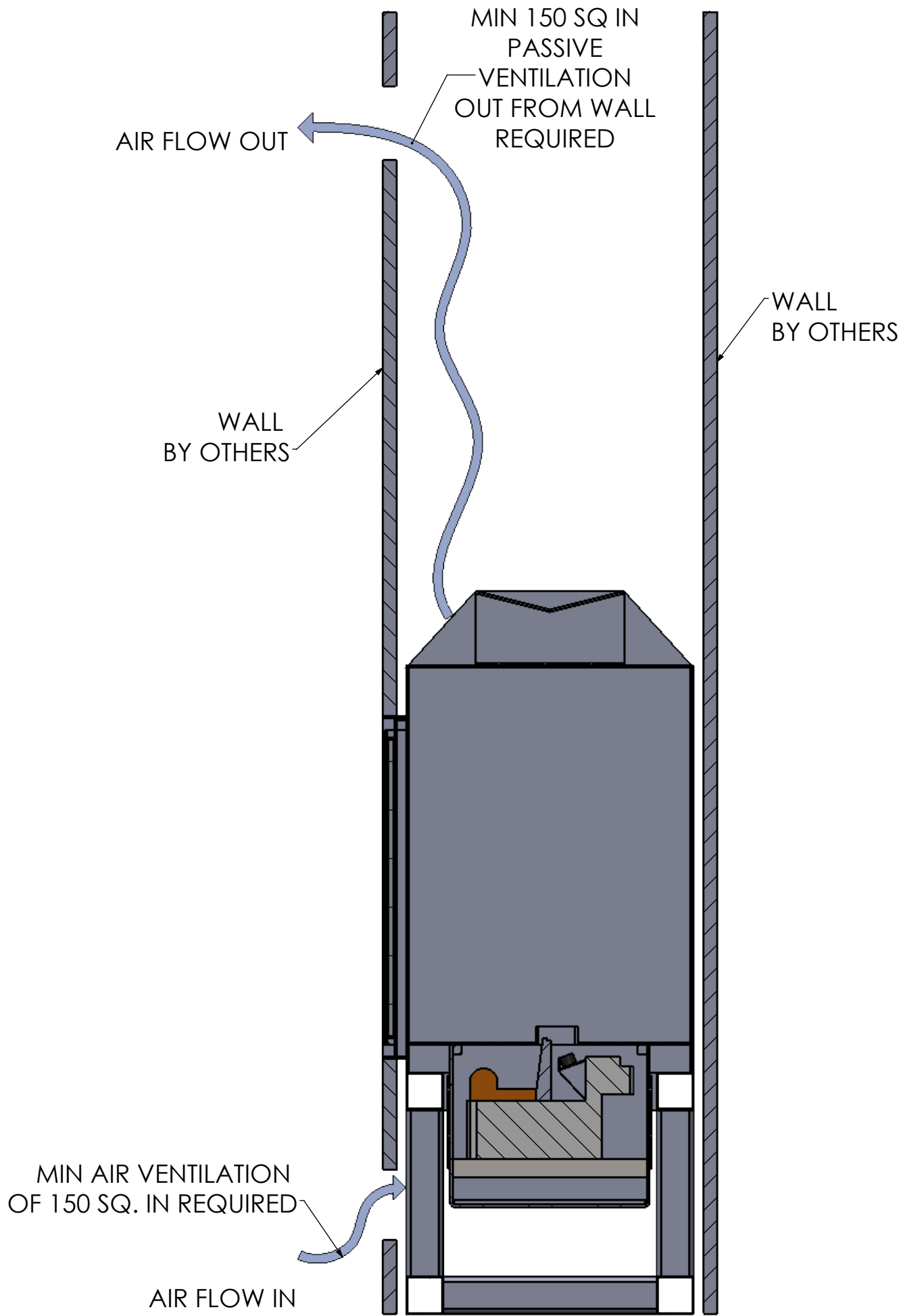
[www.customfireplacedesign.com](http://www.customfireplacedesign.com)

# VITA Fireplaces

## 72" Single-Sided Built-In Linear Fireplace with Vapor-Fire Burner



Fireplace Weight	450 lbs. approx.	UNLESS OTHERWISE SPECIFIED: DIMENSIONS ARE IN INCHES TOLERANCES: FRACTIONAL ± ANGULAR: MACH ± BEND ± TWO PLACE DECIMAL ± THREE PLACE DECIMAL ± INTERPRET GEOMETRIC TOLERANCING PER: MATERIAL FINISH DO NOT SCALE DRAWING	NAME	DATE	MODEL: 72" Single-Sided		
Burner	1 x CDFI 1000P 1 x CDFI 500P		DRAWN	MP	3/23/2019	TITLE: LAYOUT DRAWING	
Total Burner Length	60" Vapor-Fire Burner		CHECKED	MV	3/23/2019		
Airflow Requirements	150 Sq. Inches		ENG APPR.				
PROPRIETARY AND CONFIDENTIAL THE INFORMATION CONTAINED IN THIS DRAWING IS THE SOLE PROPERTY OF CUSTOM FIREPLACE DESIGN INC. ANY REPRODUCTION IN PART OR AS A WHOLE WITHOUT THE WRITTEN PERMISSION OF CUSTOM FIREPLACE DESIGN INC. IS PROHIBITED.		<b>CF + D</b>		Q.A.	SIZE	DWG. NO.	REV
		CUSTOM FIREPLACE DESIGN INC.			A	LVF-05	0
		5230 HARVESTER RD. UNIT # 2 BURLINGTON, ONTARIO CANADA L7L 4X4 PHONE: 905-681-3070 FAX: 905-681-8697		SCALE: NTS			SHEET 2 OF 3



SIDE VIEW SECTION

**VITA Fireplaces**  
**72" Single-Sided Built-In Linear Fireplace with Vapor-Fire Burner**  
Product Information

- Vapor-Fire burner technology
- Realistic flame without heat
- No venting requirements
- Safe to the touch
- Fueled by regular tap water
- 120 Volt 15 Amp-GFCI
- All fireplaces come in black matte finish
- Custom colors and patina finishes available
- Heat available
- 2" framing clearance required for installation

WATER SOURCE OPTIONS

- OPTION 1: Plumbed-In to main source water line, 1/2" reduced to 1/4" factory set connection.  
 OPTION 2: Removable 1L container for manual fill approx. 8-10 hour burn time.

Recommended: 1 1/2" floor drain or condensate pump for potential leak management.

Note: Exact measurements may vary ±1/2".

North American Designed & Manufactured  
 by  
**CF + D | custom fireplace design**

UNLESS OTHERWISE SPECIFIED:		NAME	DATE	MODEL:
DIMENSIONS ARE IN INCHES		DRAWN	MP	3/23/2019
TOLERANCES:		CHECKED	MV	3/23/2019
FRACTIONAL ±		ENG APPR.		
ANGULAR: MACH ± BEND ±		MFG APPR.		
TWO PLACE DECIMAL ±		Q.A.		
THREE PLACE DECIMAL ±				
INTERPRET GEOMETRIC TOLERANCING PER:		<b>CF + D</b> CUSTOM FIREPLACE DESIGN INC. 5230 HARVESTER RD. UNIT # 2 BURLINGTON, ONTARIO CANADA L7L 4X4 PHONE: 905-681-3070 FAX: 905-681-8697		
MATERIAL				
FINISH		SIZE	DWG. NO.	REV
DO NOT SCALE DRAWING		A	LVF-05	0
		SCALE : NTS		SHEET 3 OF 3

PROPRIETARY AND CONFIDENTIAL  
 THE INFORMATION CONTAINED IN THIS DRAWING IS THE SOLE PROPERTY OF CUSTOM FIREPLACE DESIGN INC.  
 ANY REPRODUCTION IN PART OR AS A WHOLE WITHOUT THE WRITTEN PERMISSION OF CUSTOM FIREPLACE DESIGN INC.  
 IS PROHIBITED.