

VITA Fireplaces

North American Designed & Manufactured by **CF + D** | custom fireplace design



96" Single-Sided

Built-In Linear Fireplace with Vapor-Fire Burner

LAYOUT DRAWING

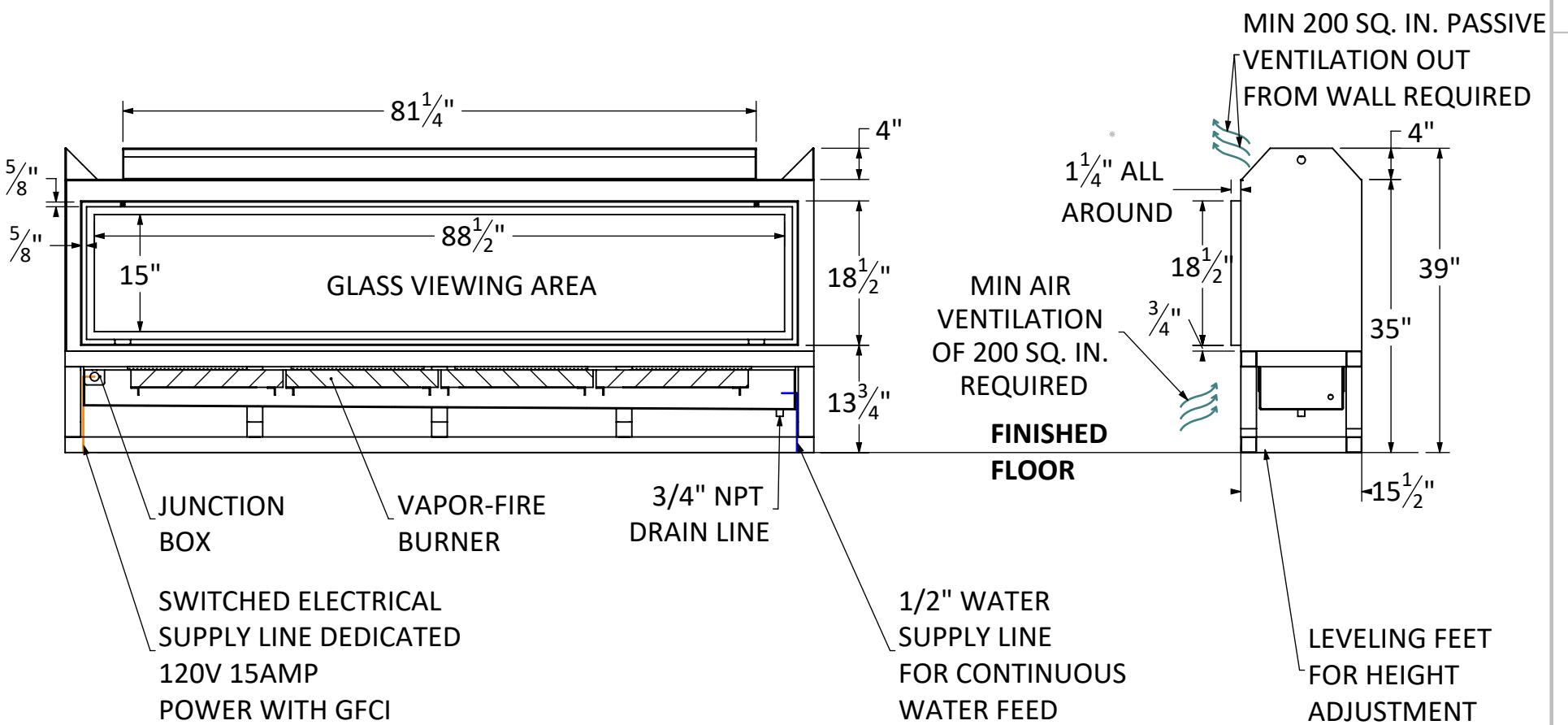
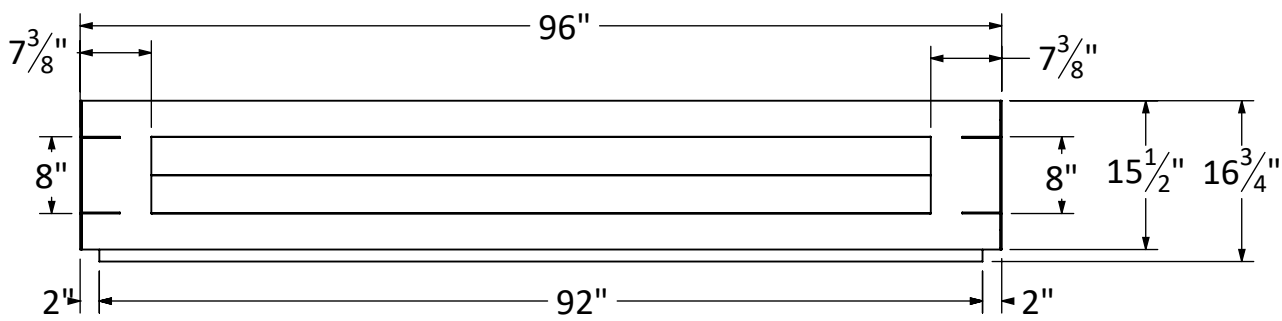
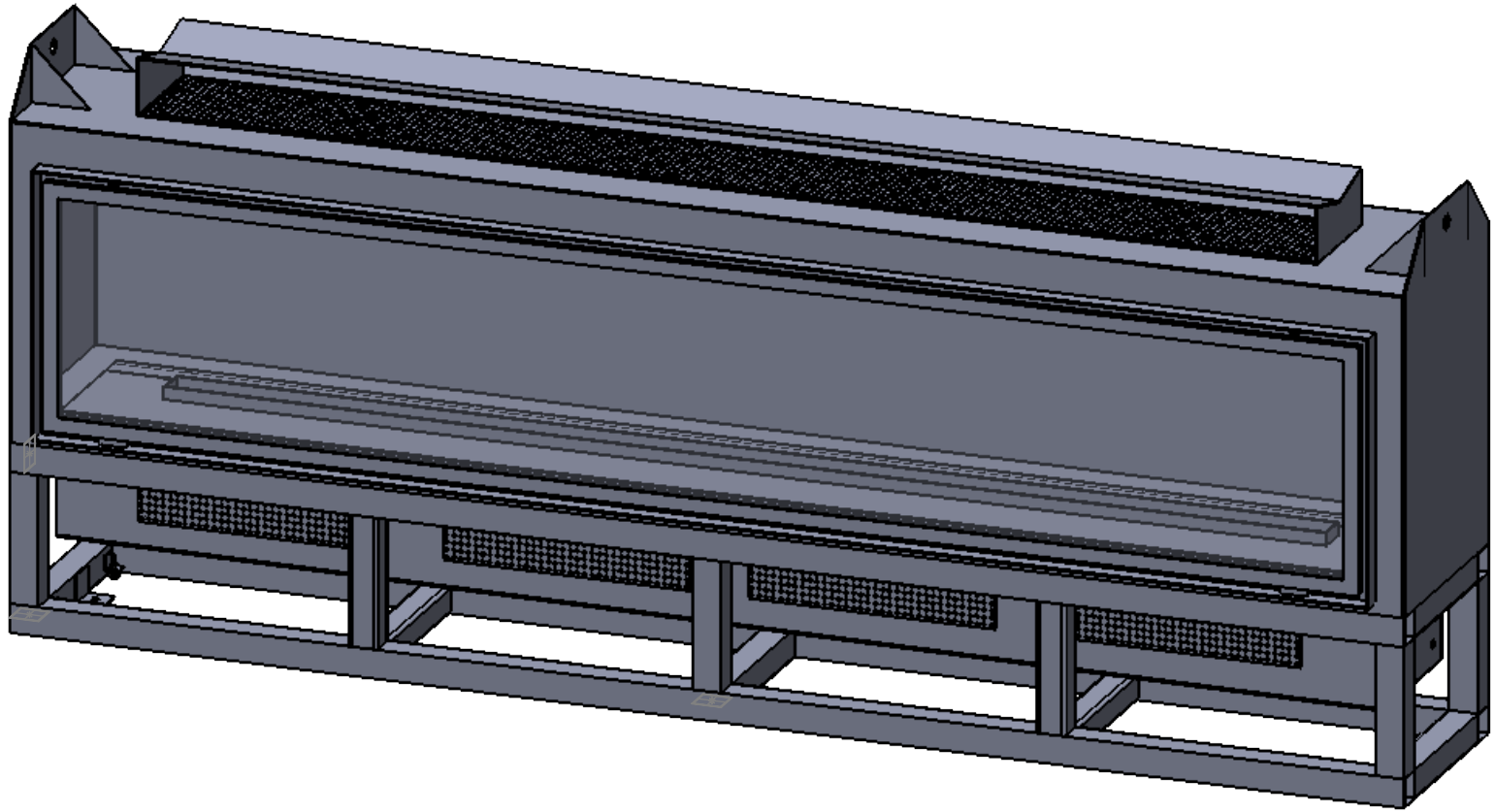
03/25/19

CF + D | custom fireplace design

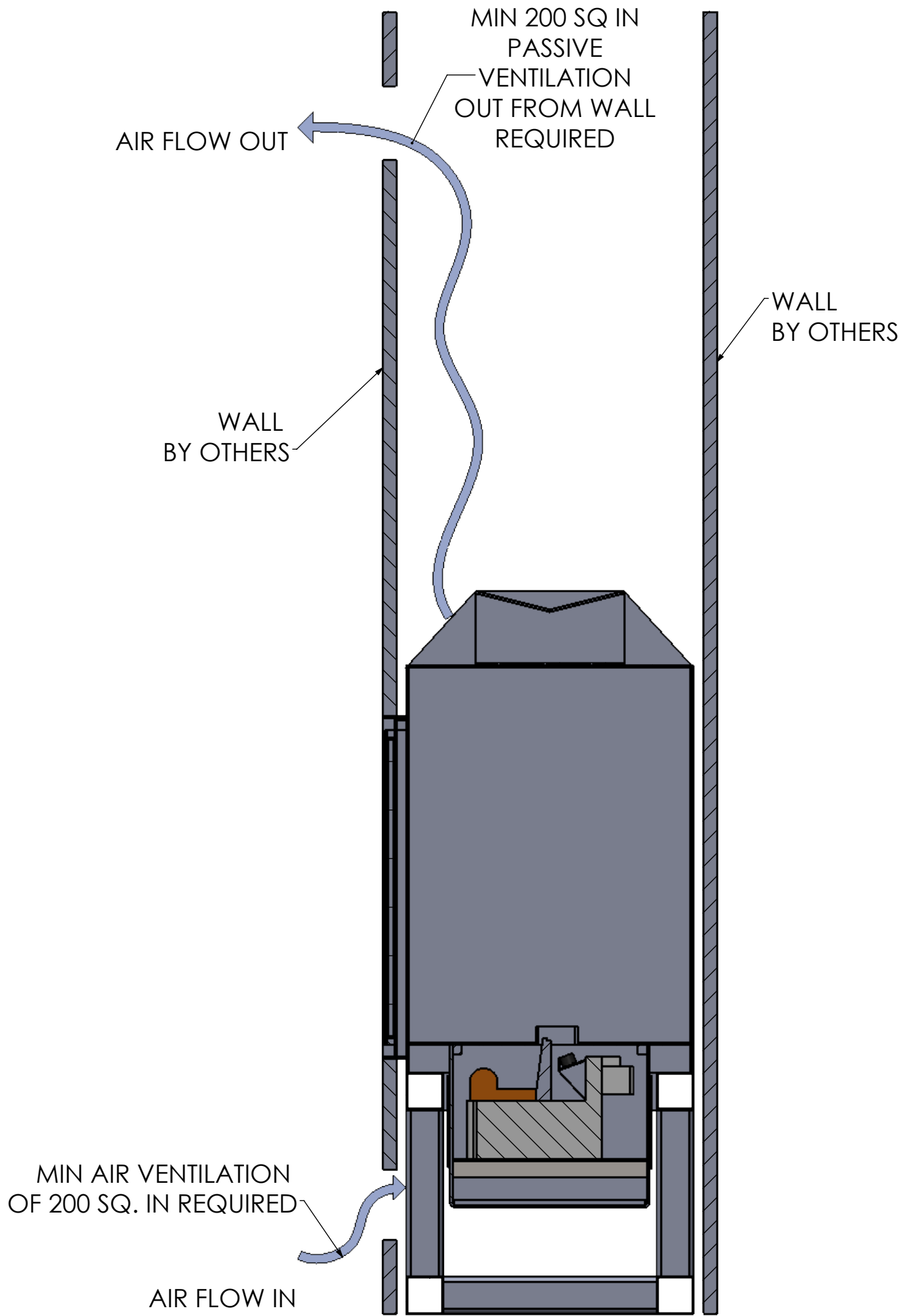
www.customfireplacedesign.com

VITA Fireplaces

96" Single-Sided Built-In Linear Fireplace with Vapor-Fire Burner



Fireplace Weight	600 lbs. approx.	UNLESS OTHERWISE SPECIFIED: DIMENSIONS ARE IN INCHES TOLERANCES: FRACTIONAL ± ANGULAR: MACH ± BEND ± TWO PLACE DECIMAL ± THREE PLACE DECIMAL ± INTERPRET GEOMETRIC TOLERANCING PER: MATERIAL FINISH DO NOT SCALE DRAWING	NAME	DATE	MODEL:	96" Single-Sided					
Burner	2 x CDFI 1000P		DRAWN	MP	3/25/2019	TITLE:	LAYOUT DRAWING				
Total Burner Length	80" Vapor-Fire Burner		CHECKED	MV	3/25/2019	SIZE				DWG. NO.	REV
Airflow Requirements	200 Sq. Inches		ENG APPR.			A				LVF-07	0
PROPRIETARY AND CONFIDENTIAL THE INFORMATION CONTAINED IN THIS DRAWING IS THE SOLE PROPERTY OF CUSTOM FIREPLACE DESIGN INC. ANY REPRODUCTION IN PART OR AS A WHOLE WITHOUT THE WRITTEN PERMISSION OF CUSTOM FIREPLACE DESIGN INC. IS PROHIBITED.			MFG APPR.			SCALE: NTS					SHEET 2 OF 3
		CF + D CUSTOM FIREPLACE DESIGN INC. 5230 HARVESTER RD. UNIT # 2 BURLINGTON, ONTARIO CANADA L7L 4X4 PHONE: 905-681-3070 FAX: 905-681-8697	Q.A.								



SIDE VIEW SECTION

VITA Fireplaces
96" Single-Sided Built-In Linear Fireplace with Vapor-Fire Burner
Product Information

- Vapor-Fire burner technology
- Realistic flame without heat
- No venting requirements
- Safe to the touch
- Fueled by regular tap water
- 120 Volt 15 Amp-GFCI
- All fireplaces come in black matte finish
- Custom colors and patina finishes available
- Heat available
- 2" framing clearance required for installation

WATER SOURCE OPTIONS

- OPTION 1: Plumbed-In to main source water line, 1/2" reduced to 1/4" factory set connection.
 OPTION 2: Removable 1L container for manual fill approx. 8-10 hour burn time.

Recommended: 1 1/2" floor drain or condensate pump for potential leak management.

Note: Exact measurements may vary ±1/2".

North American Designed & Manufactured
 by
CF + D | custom fireplace design

UNLESS OTHERWISE SPECIFIED:		NAME	DATE	MODEL:	96" Single-Sided	
DIMENSIONS ARE IN INCHES		DRAWN	MP	3/25/2019	TITLE:	
TOLERANCES:		CHECKED	MV	3/25/2019	AIRFLOW REQUIREMENT	
FRACTIONAL ±		ENG APPR.			SIZE	DWG. NO.
ANGULAR: MACH ± BEND ±		MFG APPR.			A	LVF-07
TWO PLACE DECIMAL ±		Q.A.			SCALE : NTS	REV
THREE PLACE DECIMAL ±						0
INTERPRET GEOMETRIC TOLERANCING PER:		CF + D CUSTOM FIREPLACE DESIGN INC. 5230 HARVESTER RD. UNIT # 2 BURLINGTON, ONTARIO CANADA L7L 4X4 PHONE: 905-681-3070 FAX: 905-681-8697			SHEET 3 OF 3	
MATERIAL					DO NOT SCALE DRAWING	
FINISH						

PROPRIETARY AND CONFIDENTIAL
 THE INFORMATION CONTAINED IN THIS DRAWING IS THE SOLE PROPERTY OF CUSTOM FIREPLACE DESIGN INC.
 ANY REPRODUCTION IN PART OR AS A WHOLE WITHOUT THE WRITTEN PERMISSION OF CUSTOM FIREPLACE DESIGN INC.
 IS PROHIBITED.