

VITA Fireplaces

North American Designed & Manufactured by **CF + D** | custom fireplace design



GIOIA | See-Thru

Suspended Fireplace with Vapor-Fire Burner

LAYOUT DRAWING

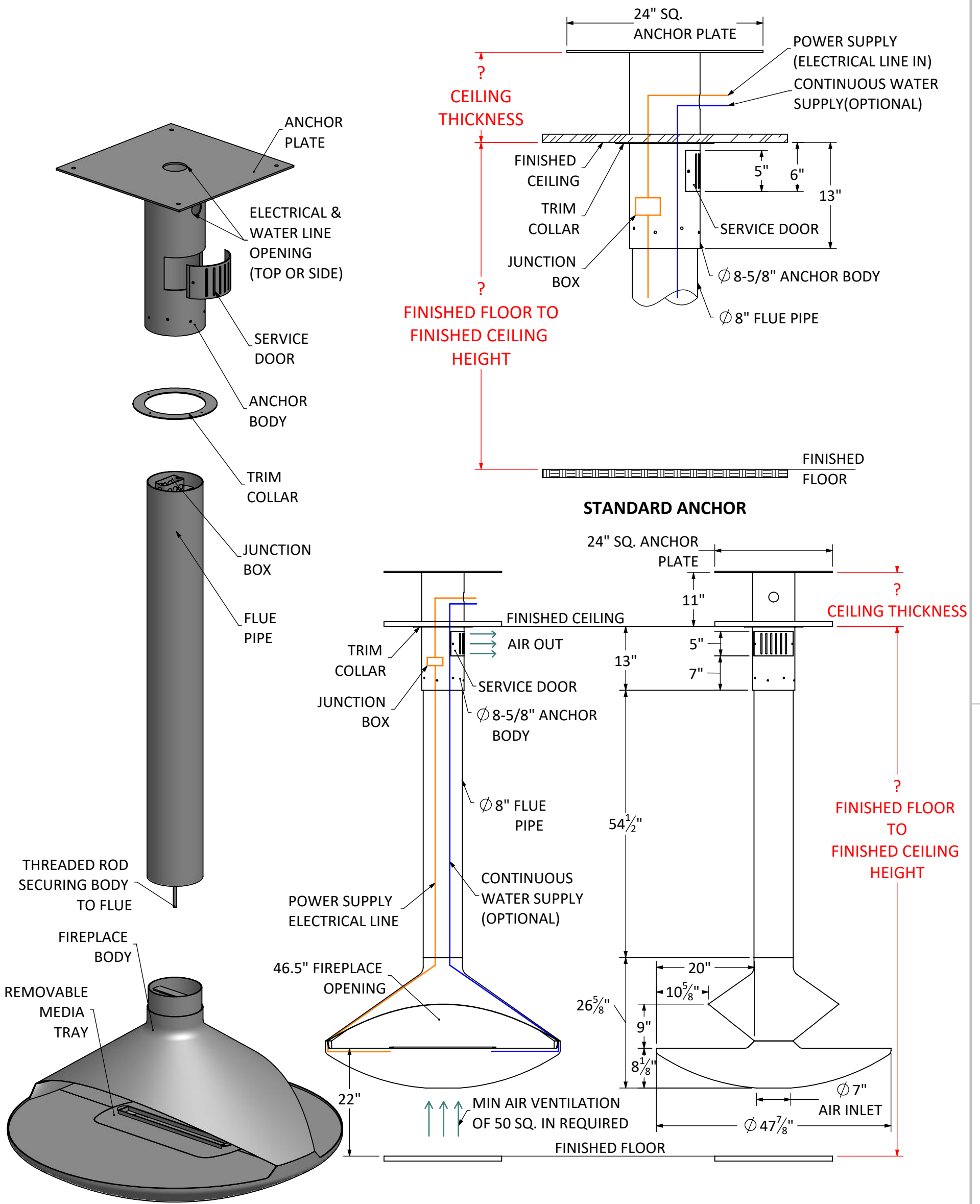
2/27/19

CF + D | custom fireplace design

www.customfireplacedesign.com

VITA Fireplaces

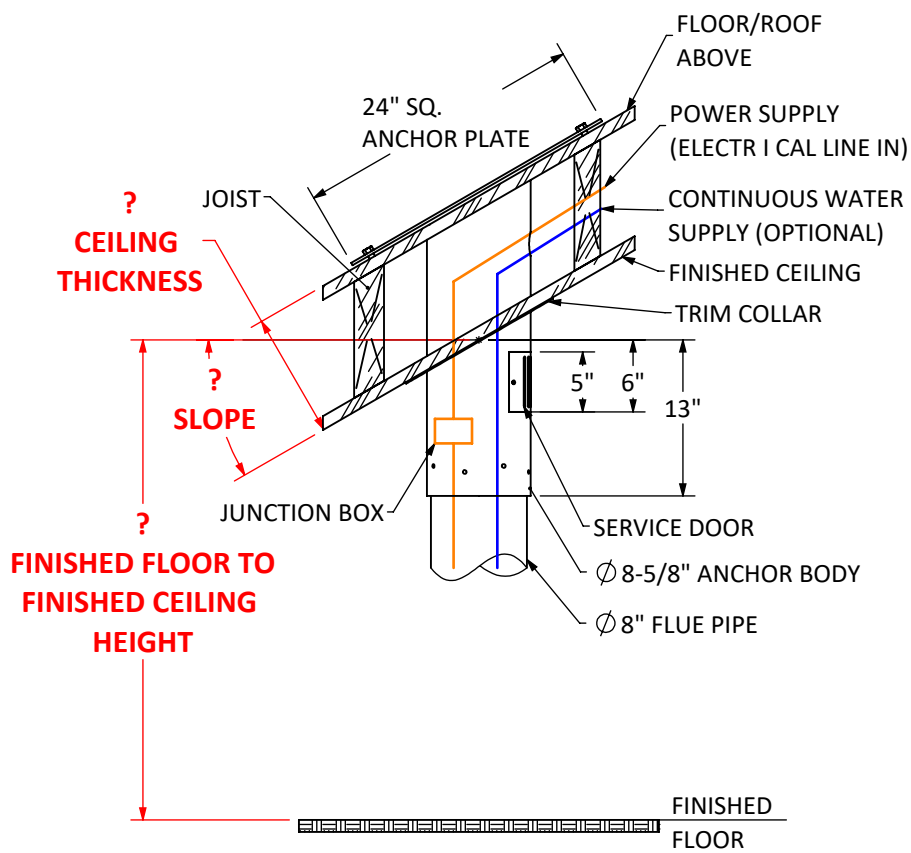
GIOIA | See-Thru Suspended Fireplace with Vapor-Fire Burner



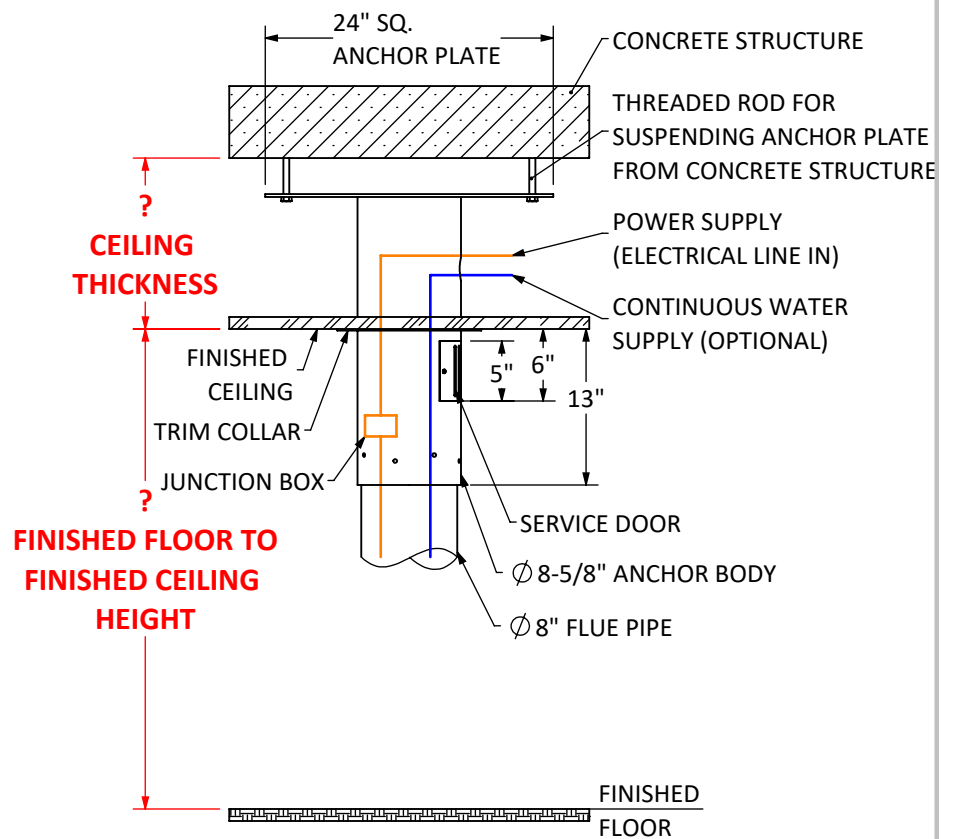
Shown with Standard 9 ft. Flat Ceiling Application
with Vapor-Fire
Custom Lengths & Anchor Options Available

Anchor	77 lbs. approx.	UNLESS OTHERWISE SPECIFIED: DIMENSIONS ARE IN INCHES TOLERANCES: FRACTIONAL ± ANGULAR: MACH ± BEND ± TWO PLACE DECIMAL ± THREE PLACE DECIMAL ± INTERPRET GEOMETRIC TOLERANCING PER: MATERIAL FINISH DO NOT SCALE DRAWING	NAME	DATE	MODEL:		
Flue	58 lbs. approx.		DRAWN	MP	2/27/2019	GIOIA See-Thru	
Fireplace Body	240 lbs. approx.		CHECKED	MV	2/27/2019	TITLE:	
Total Fireplace weight	375 lbs. approx.		ENG APPR.			LAYOUT DRAWING	
*Each add'l. 1 ft. of flue pipe weighs: approx. 11 lbs.			MFG APPR.				
PROPRIETARY AND CONFIDENTIAL THE INFORMATION CONTAINED IN THIS DRAWING IS THE SOLE PROPERTY OF CUSTOM FIREPLACE DESIGN INC. ANY REPRODUCTION IN PART OR AS A WHOLE WITHOUT THE WRITTEN PERMISSION OF CUSTOM FIREPLACE DESIGN INC. IS PROHIBITED.		Q.A.			SIZE	DWG. NO.	REV
		CF + D CUSTOM FIREPLACE DESIGN INC. 5230 HARVESTER RD. UNIT # 2 BURLINGTON, ONTARIO CANADA L7L 4X4 PHONE: 905-681-3070 FAX: 905-681-8697			A	SVF-07	0
		SCALE: NTS		SHEET 2 OF 3			

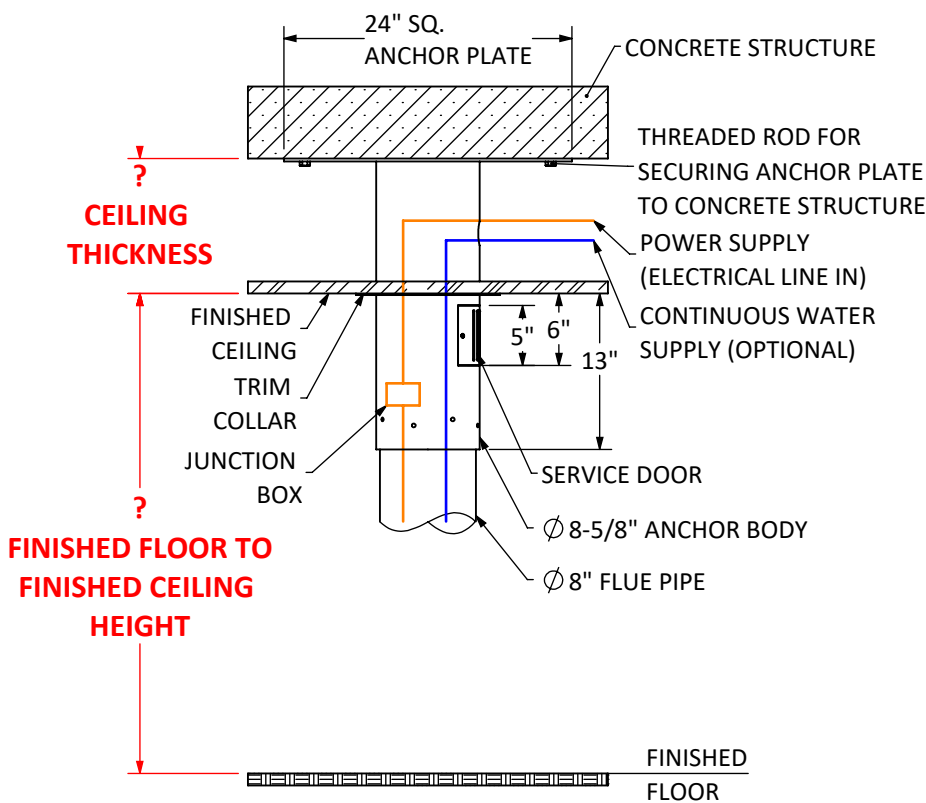
CUSTOM ANCHOR OPTIONS AVAILABLE



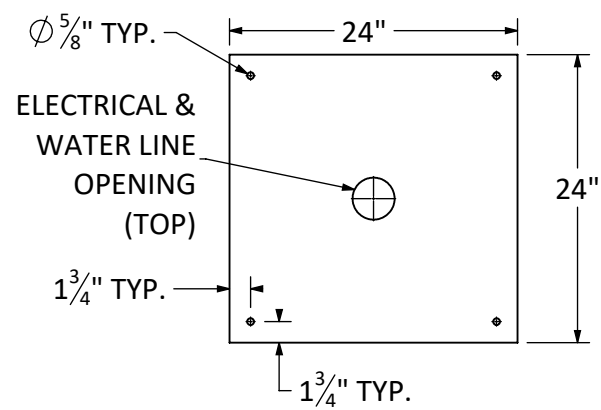
OPTION A - SLOPED DROP FROM ABOVE



OPTION B - SUSPENDED FROM CONCRETE



OPTION C - ATTACHED BELOW CONCRETE



**ANCHOR PLATE
24\"/>**

VITA Fireplaces

GIOIA | See-Thru Suspended Fireplace with Vapor-Fire Burner Product Information

- Vapor-Fire burner technology
- Realistic flame without heat
- No venting requirements
- Safe to the touch
- Fueled by regular tap water
- 120 Volt 15 Amp-GFCI
- All fireplaces come in black matte finish
- Custom colors and patina finishes available
- Heat available, most models

WATER SOURCE OPTIONS

- OPTION 1: Plumbed-In to main source water line, 1/2\"/>
- OPTION 2: Removable 1L container for manual fill approx. 8-10 hour burn time.

Recommended : Leak detection sensor for potential leak management.

Note: Exact measurements may vary $\pm 1/2$ \"/>

North American Designed & Manufactured
by
CF + D | custom fireplace design

UNLESS OTHERWISE SPECIFIED:		NAME	DATE	MODEL:	GIOIA See-Thru	
DIMENSIONS ARE IN INCHES		DRAWN	MP	2/27/2019	TITLE:	
TOLERANCES:		CHECKED	MV	2/27/2019	CUSTOM ANCHOR OPTIONS	
FRACTIONAL \pm		ENG APPR.			SIZE	DWG. NO.
ANGULAR: MACH \pm BEND \pm		MFG APPR.			A	SVF-07
TWO PLACE DECIMAL \pm		Q.A.			SCALE : NTS	REV
THREE PLACE DECIMAL \pm						0
INTERPRET GEOMETRIC TOLERANCING PER:		CF + D CUSTOM FIREPLACE DESIGN INC. 5230 HARVESTER RD. UNIT # 2 BURLINGTON, ONTARIO CANADA L7L 4X4 PHONE: 905-681-3070 FAX: 905-681-8697			SHEET 3 OF 3	
MATERIAL					SCALE : NTS	
FINISH		DO NOT SCALE DRAWING				