

VITA | Fireplaces

North American Designed & Manufactured by **CF + D** | custom fireplace design



MAXIM | Suspended Hood with Base Fireplace
and Vapor-Fire Burner

LAYOUT DRAWING

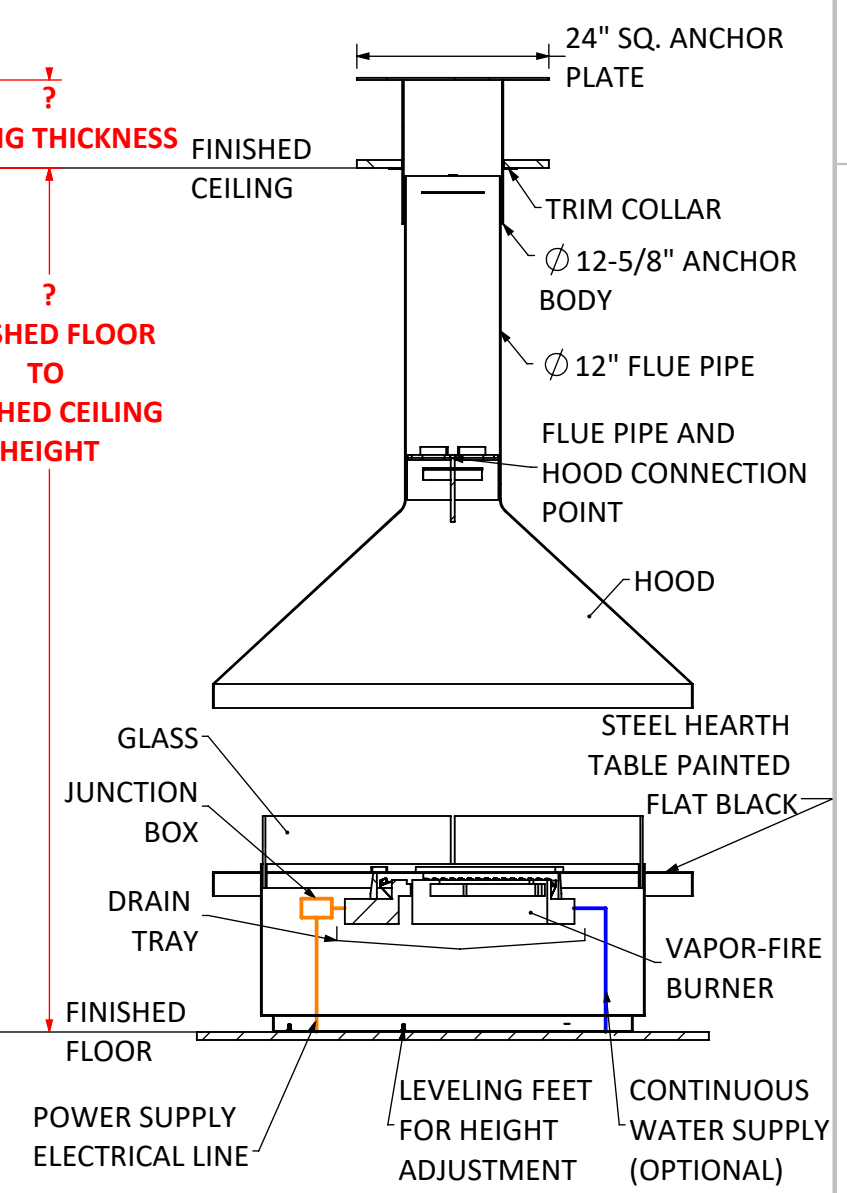
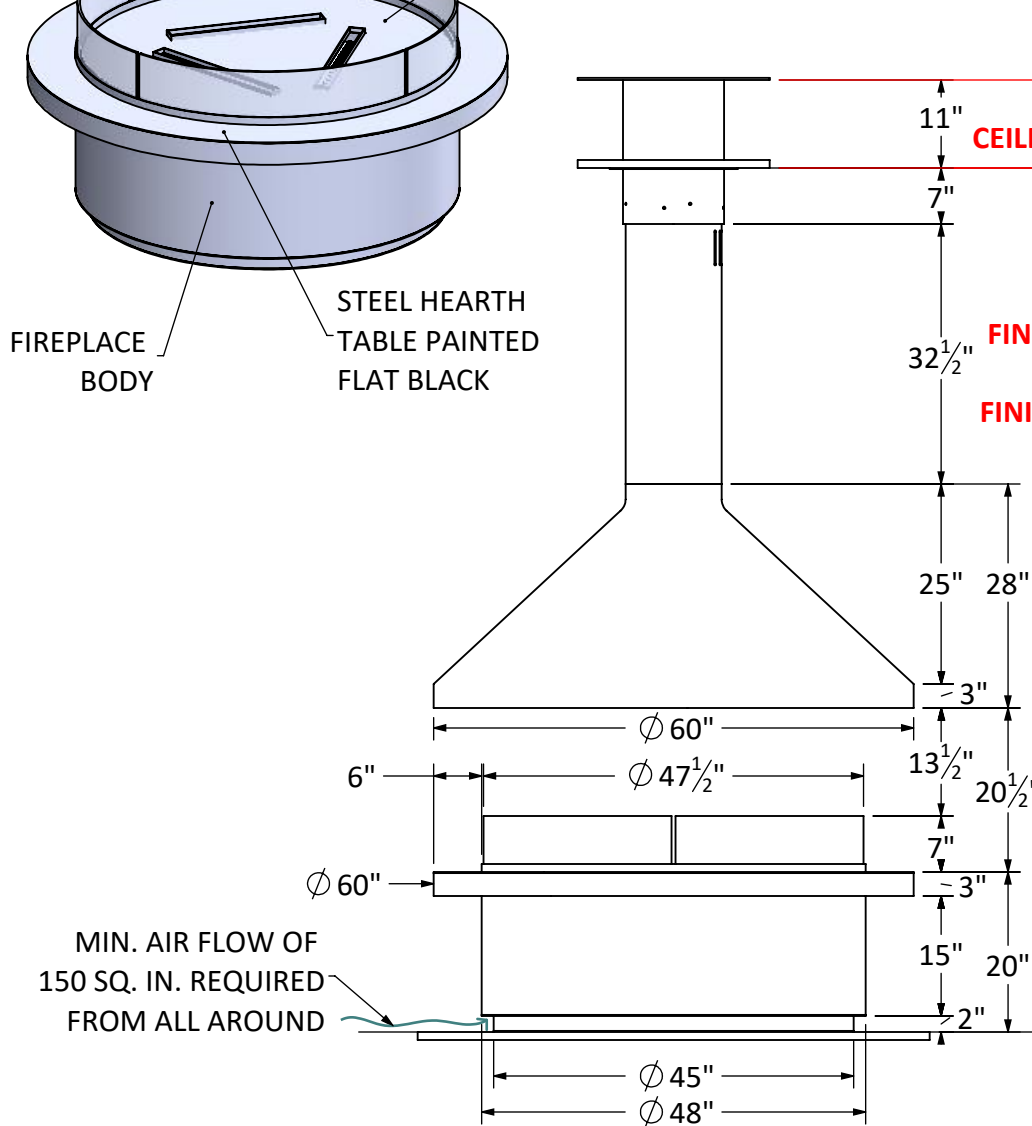
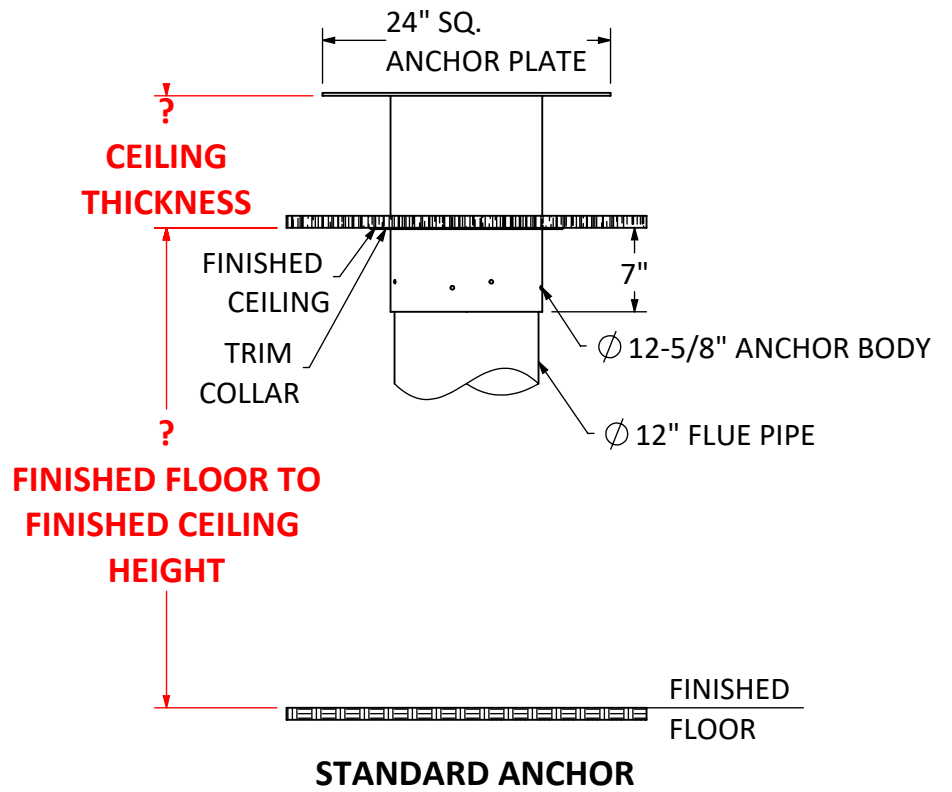
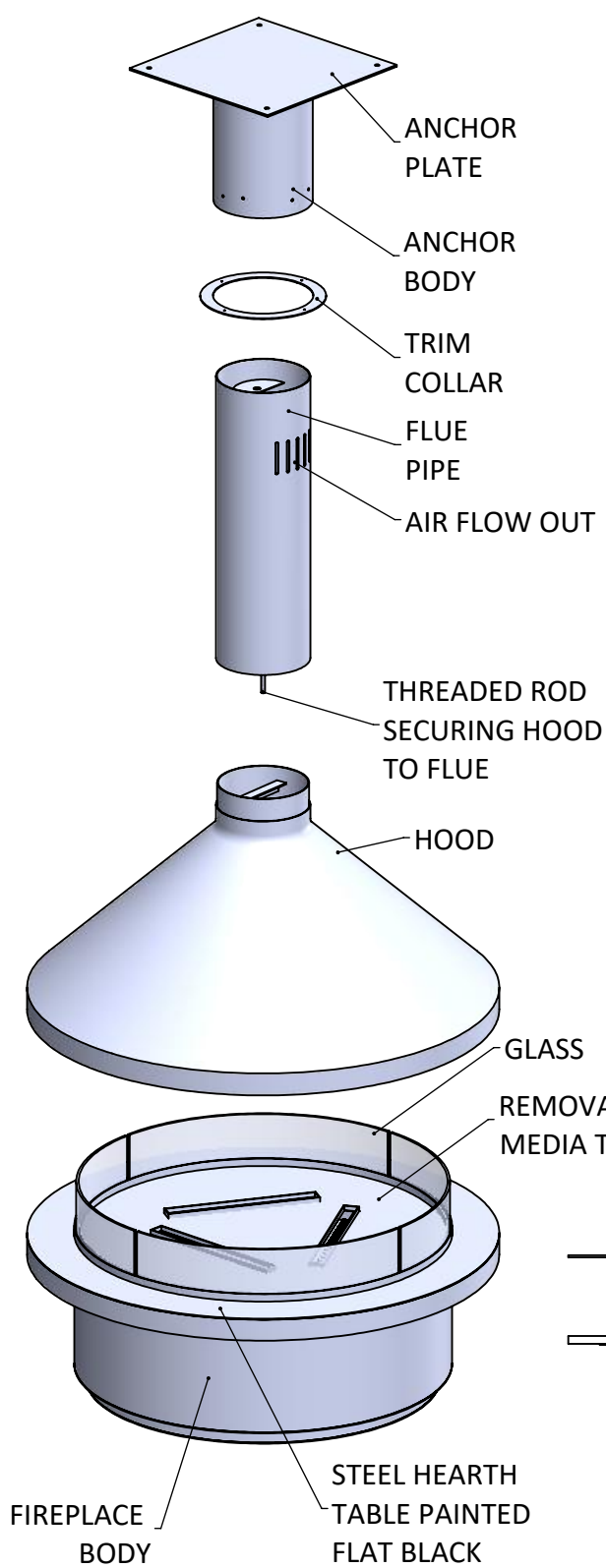
04/18/19

CF + D | custom fireplace design

www.customfireplacedesign.com

VITA | Fireplaces

MAXIM | Suspended Hood with Base Fireplace and Vapor-Fire Burner



Shown with Standard 9 ft. Flat Ceiling Application
with Vapor-Fire
Custom Lengths & Anchor Options Available

SECTION B-B
SCALE 1 : 24

| | |
|------------------------|------------------|
| Anchor | 78 lbs. approx. |
| Flue & Hood | 190 lbs. approx. |
| Fireplace Body | 402 lbs. approx. |
| Total Fireplace weight | 670 lbs. approx. |

UNLESS OTHERWISE SPECIFIED:
DIMENSIONS ARE IN INCHES
TOLERANCES:
FRACTIONAL ±
ANGULAR: MACH ± BEND ±
TWO PLACE DECIMAL ±
THREE PLACE DECIMAL ±

| | NAME | DATE |
|-----------|------|-----------|
| DRAWN | MP | 4/18/2019 |
| CHECKED | MV | 4/18/2019 |
| ENG APPR. | | |
| MFG APPR. | | |
| Q.A. | | |

| | | |
|--------|----------------|-----|
| MODEL: | MAXIM | |
| TITLE: | LAYOUT DRAWING | |
| SIZE | DWG. NO. | REV |
| A | FMVF-04 | 0 |

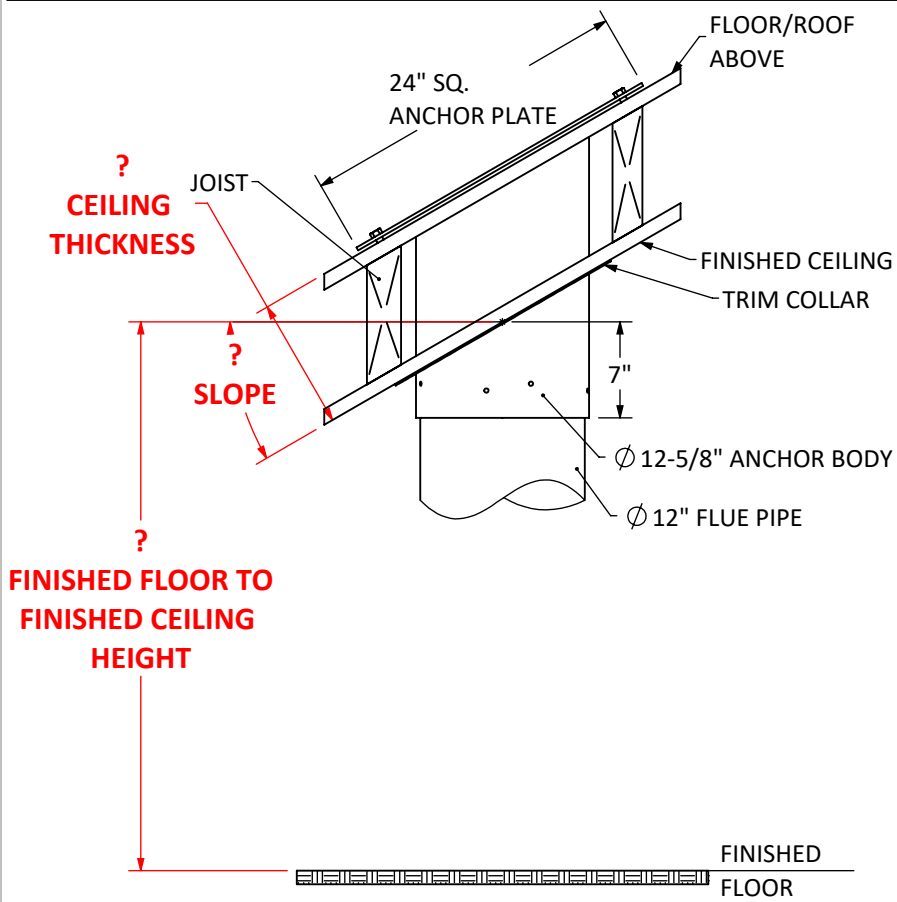
*Each add'l. 1 ft. of flue pipe weighs: approx. 16 lbs.
PROPRIETARY AND CONFIDENTIAL
THE INFORMATION CONTAINED IN THIS DRAWING IS THE SOLE PROPERTY OF CUSTOM FIREPLACE DESIGN INC.
ANY REPRODUCTION IN PART OR AS A WHOLE WITHOUT THE WRITTEN PERMISSION OF CUSTOM FIREPLACE DESIGN INC.
IS PROHIBITED.

INTERPRET GEOMETRIC TOLERANCING PER:
MATERIAL
FINISH
DO NOT SCALE DRAWING

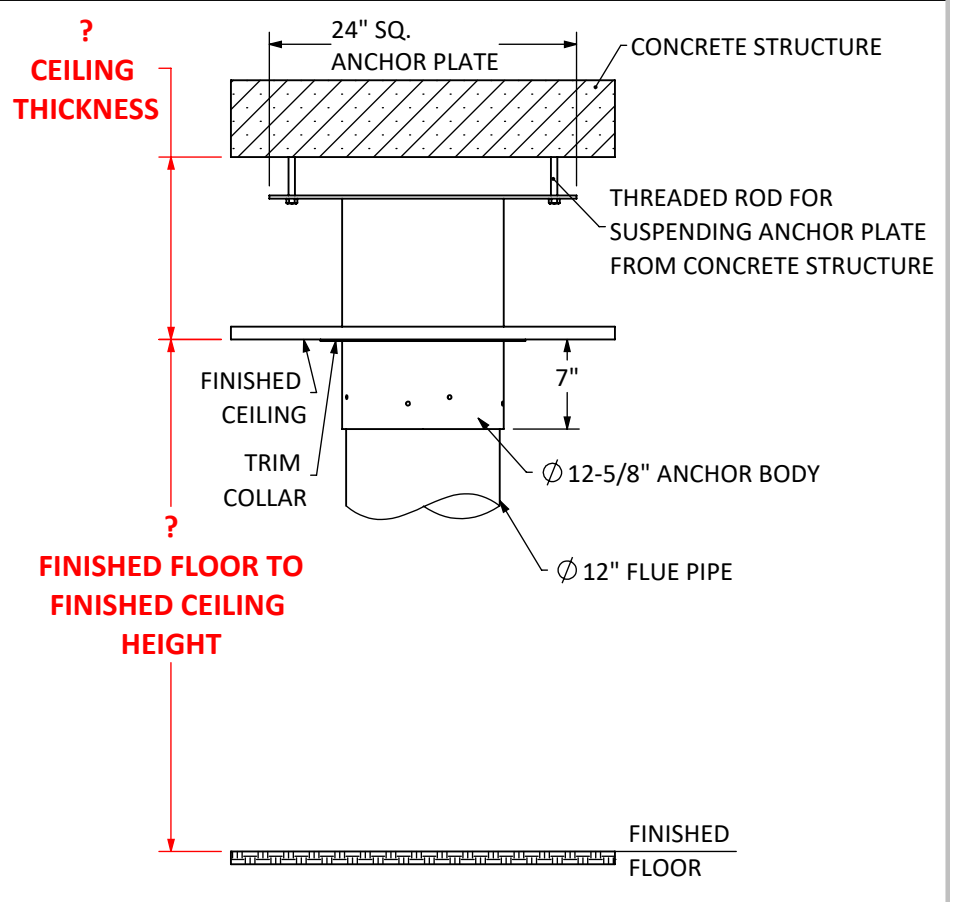
CF + D
CUSTOM FIREPLACE DESIGN INC.
5230 HARVESTER RD. UNIT # 2
BURLINGTON, ONTARIO CANADA L7L 4X4
PHONE: 905-681-3070 FAX: 905-681-8697

| | | |
|------------|--|--------------|
| SCALE: NTS | | SHEET 2 OF 3 |
|------------|--|--------------|

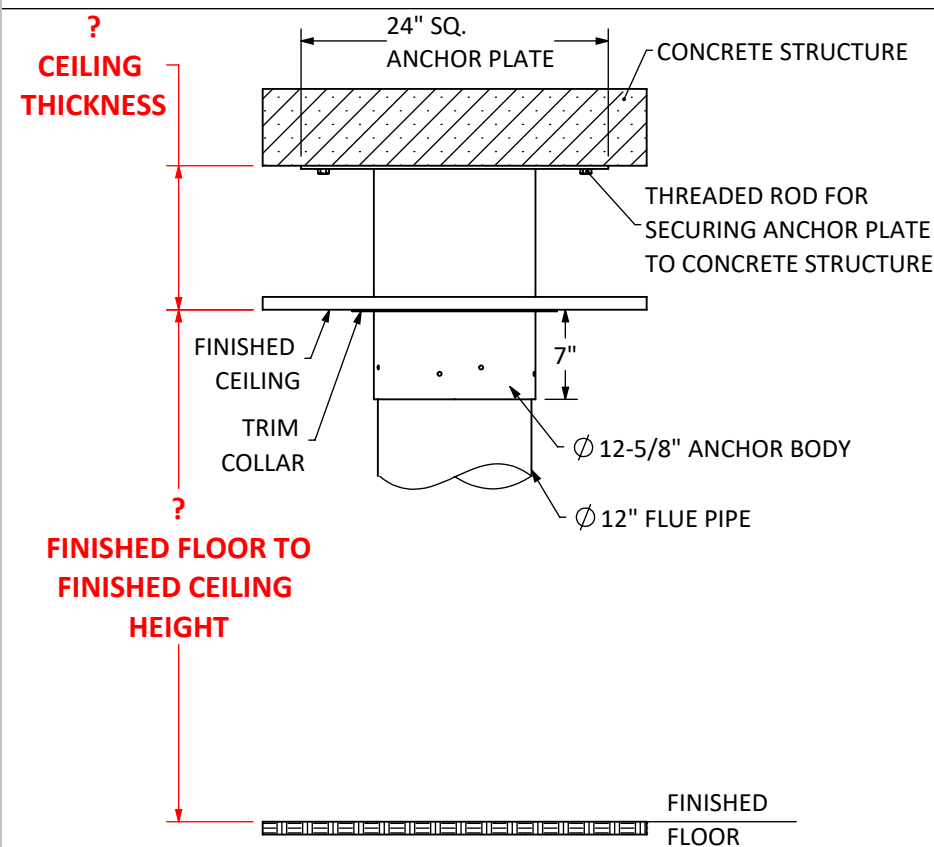
CUSTOM ANCHOR OPTIONS AVAILABLE



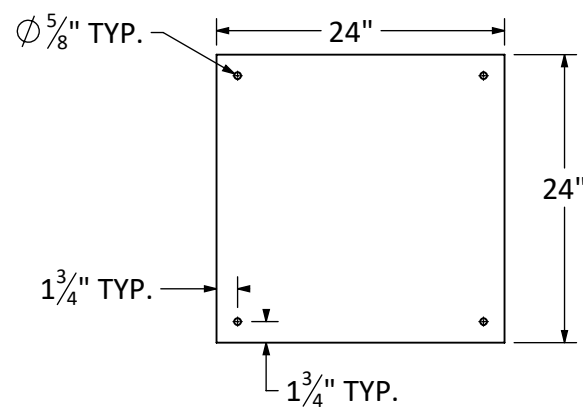
OPTION A - SLOPED DROP FROM ABOVE



OPTION B - SUSPENDED FROM CONCRETE



OPTION C - ATTACHED BELOW CONCRETE



**ANCHOR PLATE
24" SQ. x 0.25" THK.**

VITA | Fireplaces

MAXIM | Suspended Hood with Base Fireplace and Vapor-Fire Burner

Product Information

- Vapor-Fire burner technology
- Realistic flame without heat
- No venting requirements
- Safe to the touch
- Fueled by regular tap water
- 120 Volt 15 Amp-GFCI
- Main electrical and optional continuous water line to feed from floor to junction box located inside fireplace base.
- All fireplaces come in black matte finish
- Custom colors and patina finishes available
- Heat available, most models

WATER SOURCE OPTIONS

- OPTION 1: Plumbed-In to main source water line, 1/2" reduced to 1/4" factory set connection.
- OPTION 2: Removable 1L container for manual fill approx. 8-10 hour burn time.

Recommended : Leak detection sensor for potential leak management.

Note: Exact measurements may vary ± 1/2".

North American Designed & Manufactured
by
CF + D | custom fireplace design

| | | | | | | |
|--------------------------------------|--|---------------------------------------|------|------------------------------------|-----------------------|----------|
| UNLESS OTHERWISE SPECIFIED: | | NAME | DATE | MODEL: | MAXIM | |
| DIMENSIONS ARE IN INCHES | | DRAWN | MP | 4/18/2019 | TITLE: | |
| TOLERANCES: | | CHECKED | MV | 4/18/2019 | CUSTOM ANCHOR OPTIONS | |
| FRACTIONAL ± | | ENG APPR. | | | SIZE | DWG. NO. |
| ANGULAR: MACH ± BEND ± | | MFG APPR. | | | A | FMVF-04 |
| TWO PLACE DECIMAL ± | | Q.A. | | | SCALE : NTS | REV |
| THREE PLACE DECIMAL ± | | | | | | 0 |
| INTERPRET GEOMETRIC TOLERANCING PER: | | CF + D | | CUSTOM FIREPLACE DESIGN INC. | | |
| MATERIAL | | 5230 HARVESTER RD. UNIT # 2 | | BURLINGTON, ONTARIO CANADA L7L 4X4 | | |
| FINISH | | PHONE: 905-681-3070 FAX: 905-681-8697 | | SHEET 3 OF 3 | | |
| DO NOT SCALE DRAWING | | | | | | |