

VITA Fireplaces

North American Designed & Manufactured by **CF + D** | custom fireplace design



MONROE | Wall-Mount Fireplace with Vapor-Fire Burner

LAYOUT DRAWING

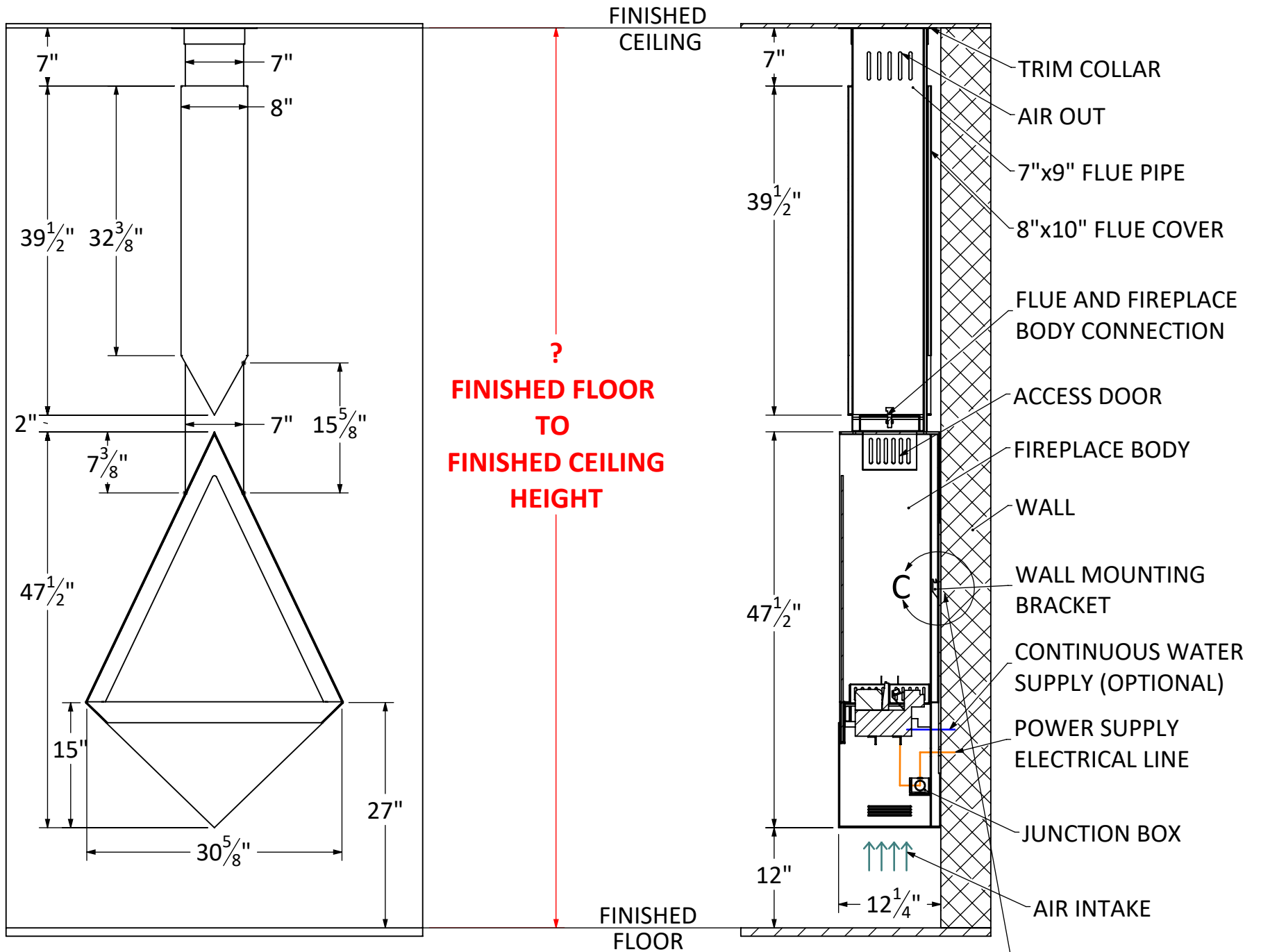
04/04/2019

CF + D | custom fireplace design

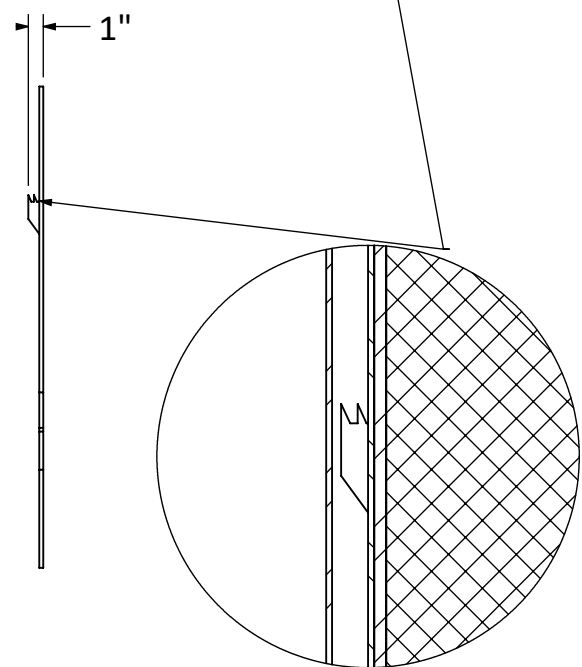
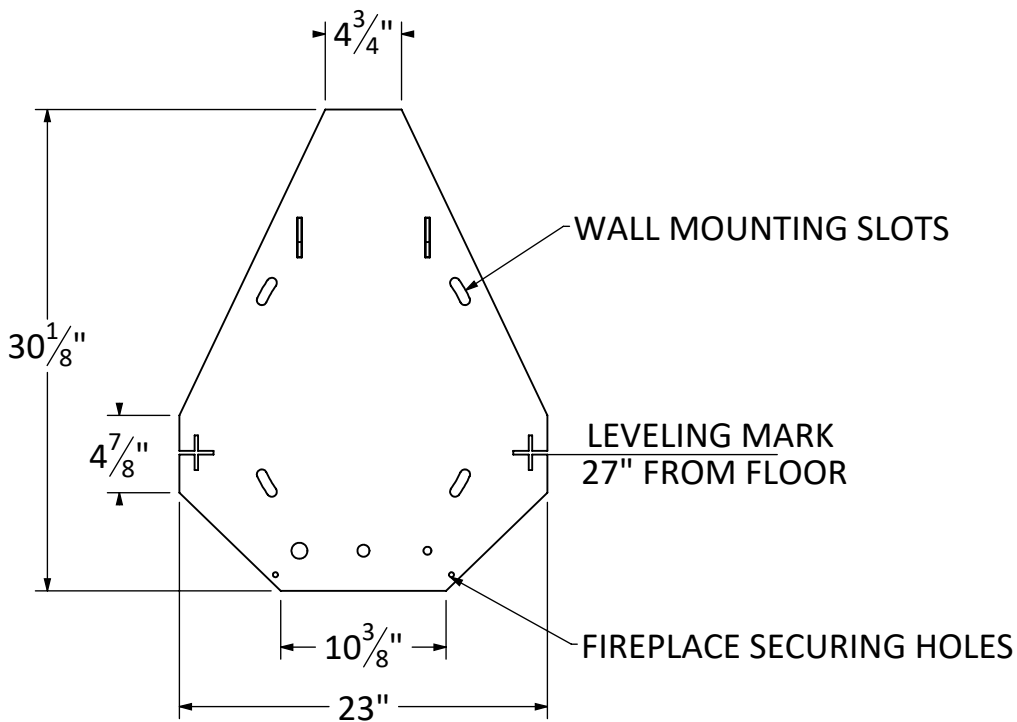
www.customfireplacedesign.com

VITA Fireplaces

MONROE | Wall-Mount Fireplace with Vapor-Fire Burner



SECTION B-B
SCALE 1 : 16

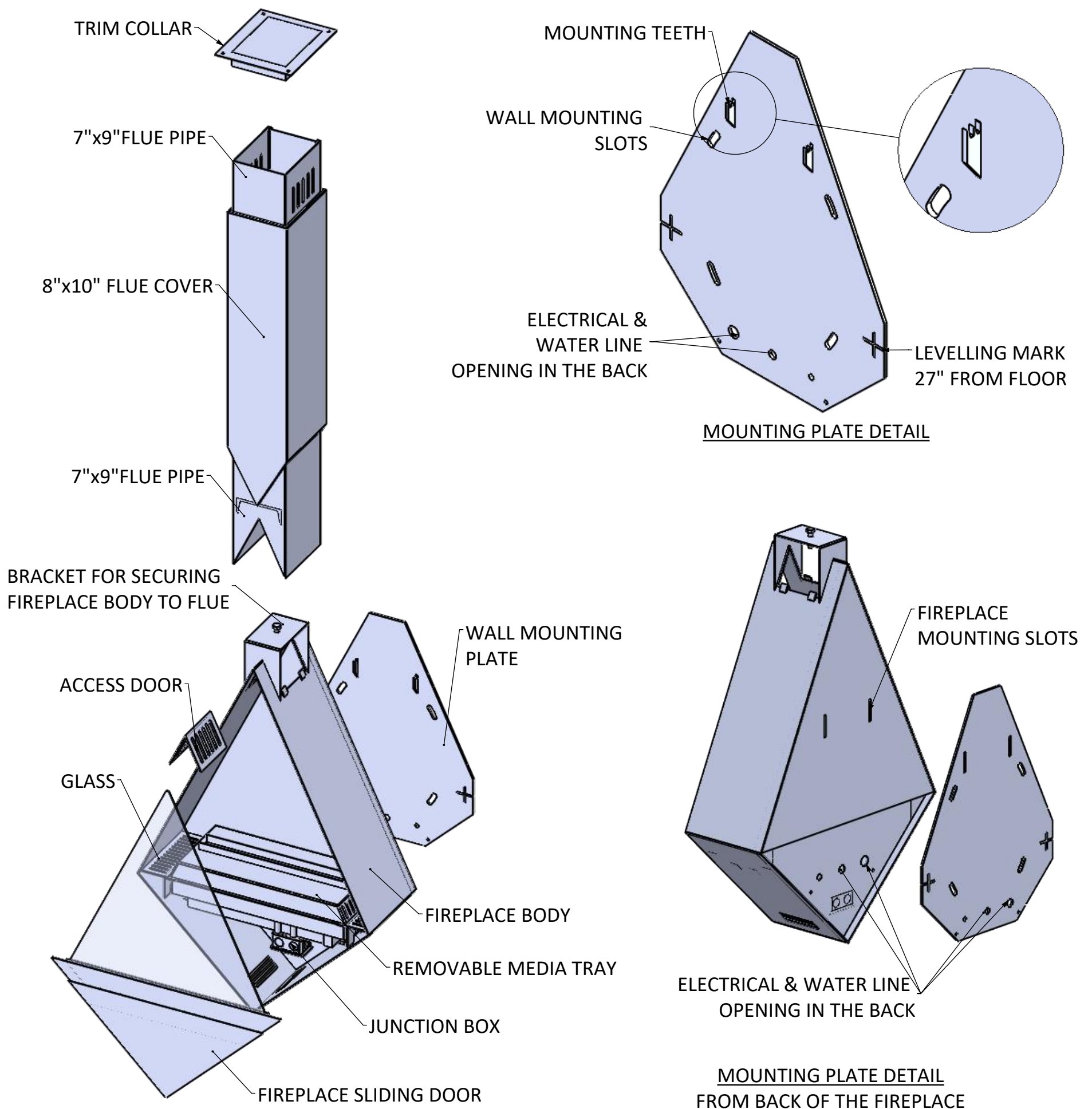


DETAIL C
SCALE 1 : 4

Shown with Standard 9 ft. Flat Ceiling Application
with Vapor-Fire
Custom Lengths Available

Flue & Flue Cover	130 lbs. approx.	UNLESS OTHERWISE SPECIFIED: DIMENSIONS ARE IN INCHES TOLERANCES: FRACTIONAL ± ANGULAR: MACH ± BEND ± TWO PLACE DECIMAL ± THREE PLACE DECIMAL ± INTERPRET GEOMETRIC TOLERANCING PER: MATERIAL FINISH DO NOT SCALE DRAWING	NAME	DATE	MODEL: MONROE Wall-Mount		
Fireplace Body	150 lbs. approx.		DRAWN	MP	4/4/2019	TITLE: LAYOUT DRAWING	
Total Fireplace weight	280 lbs. approx.		CHECKED	MV	4/4/2019		
*Each add'l. 1 ft. of flue pipe weighs: approx. 11 lbs.			ENG APPR.				
PROPRIETARY AND CONFIDENTIAL THE INFORMATION CONTAINED IN THIS DRAWING IS THE SOLE PROPERTY OF CUSTOM FIREPLACE DESIGN INC. ANY REPRODUCTION IN PART OR AS A WHOLE WITHOUT THE WRITTEN PERMISSION OF CUSTOM FIREPLACE DESIGN INC. IS PROHIBITED.		INTERPRET GEOMETRIC TOLERANCING PER:	CF + D CUSTOM FIREPLACE DESIGN INC. 5230 HARVESTER RD. UNIT # 2 BURLINGTON, ONTARIO CANADA L7L 4X4 PHONE: 905-681-3070 FAX: 905-681-8697		SIZE	DWG. NO.	REV
		MATERIAL			A	WMVF-01	0
			SCALE: NTS		SHEET 2 OF 3		

EXPLODED VIEW WITH WALL MOUNTING DETAILS



VITA Fireplaces MONROE | Wall-Mount Fireplace with Vapor-Fire Burner Product Information

- Vapor-Fire burner technology
- Realistic flame without heat
- No venting requirements
- Safe to the touch
- Fueled by regular tap water
- 120 Volt 15 Amp-GFCI
- Main electrical and optional continuous water line to feed from wall to junction box located inside fireplace body.
- All fireplaces come in black matte finish
- Custom colors and patina finishes available
- Heat available

WATER SOURCE OPTIONS

- OPTION 1: Plumbed-In to main source water line, ½" reduced to ¼" factory set connection.
- OPTION 2: Removable 1L container for manual fill approx. 8-10 hour burn time.

Recommended : Leak detection sensor for potential leak management.

Note: Exact measurements may vary ± ½".

North American Designed & Manufactured
by
CF + D | custom fireplace design

UNLESS OTHERWISE SPECIFIED:		NAME	DATE	MODEL:	
DIMENSIONS ARE IN INCHES TOLERANCES: FRACTIONAL ± ANGULAR: MACH ± BEND ± TWO PLACE DECIMAL ± THREE PLACE DECIMAL ±		DRAWN	MP	4/4/2019	MONROE Wall-Mount EXPLODED VIEW WITH WALL MOUNTING DETAILS
INTERPRET GEOMETRIC TOLERANCING PER:		CHECKED	MV	4/4/2019	
MATERIAL		ENG APPR.			
FINISH		MFG APPR.			
DO NOT SCALE DRAWING		Q.A.			
		CF + D		SIZE	DWG. NO.
		CUSTOM FIREPLACE DESIGN INC. 5230 HARVESTER RD. UNIT # 2 BURLINGTON, ONTARIO CANADA L7L 4X4 PHONE: 905-681-3070 FAX: 905-681-8697		A	WMVF-01
				SCALE : NTS	REV
					0
				SHEET 3 OF 3	