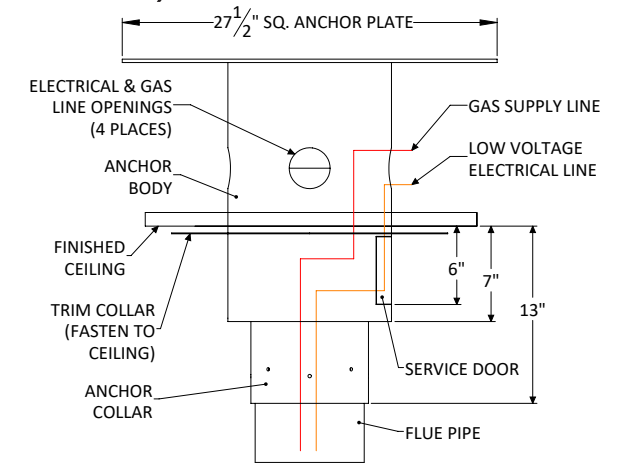


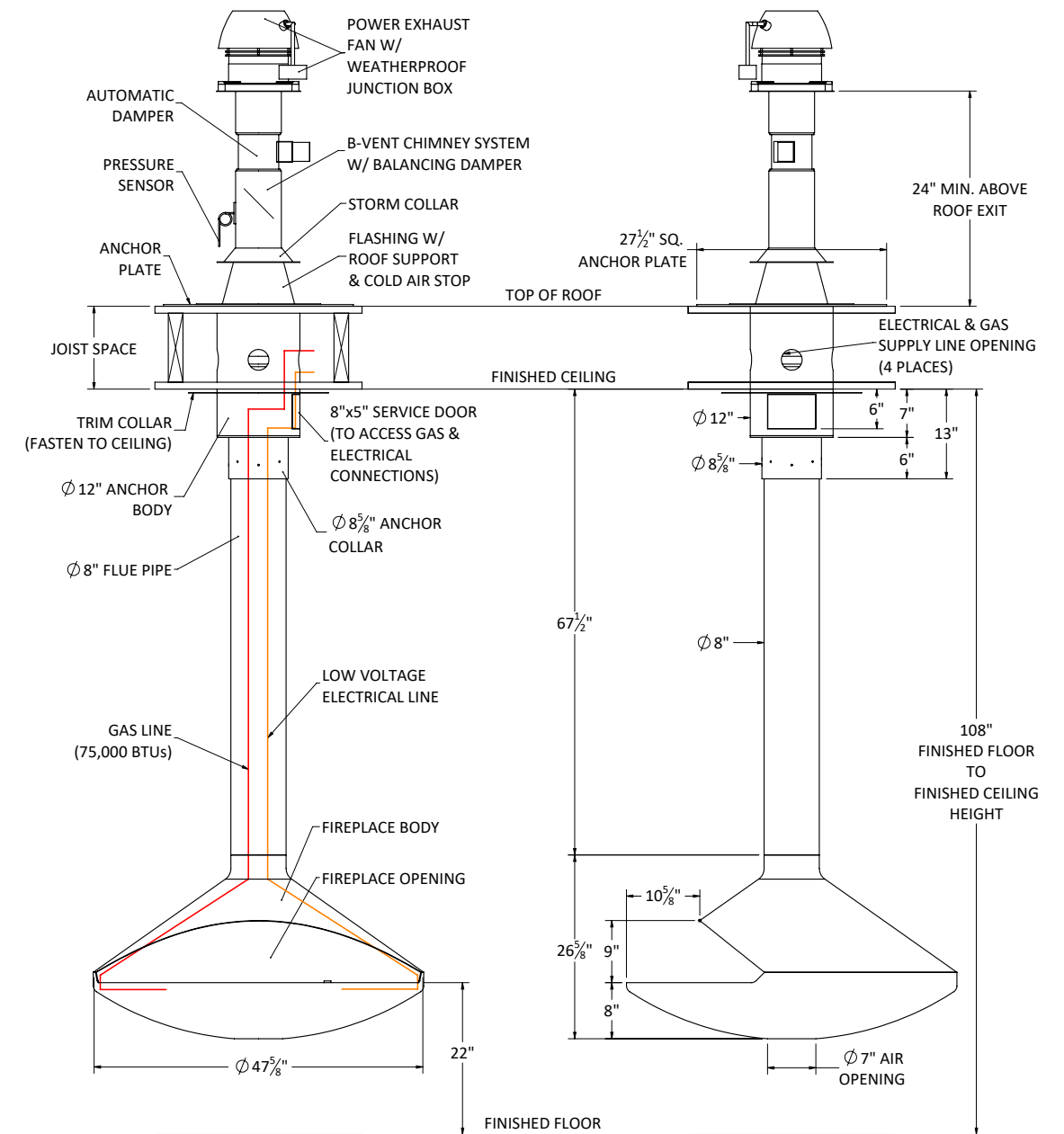
GIOIA Single-Sided | Suspended Gas Fireplace (Vertical Termination)



Standard 9ft. Ceiling Application approx. weights	
Flat Anchor	85 lbs.
Flue Pipe	60 lbs.
Fireplace Body	265 lbs.
Total Standard Fireplace	410 lbs.



STANDARD FLAT ANCHOR



FRONT ELEVATION

RIGHT SIDE ELEVATION

Shown with standard 9 ft. ceiling application and flat anchor option.



Fireplaces have been tested and proved to comply with: ANSI Z21.50/CSA 2.22 Vented Gas Fireplace. Certified under: ICC-ES PMG-1290

- Natural Gas or Propane fueled.
- Natural Gas Burner: approx. 75,000 BTUs.
- Propane Burner: approx. 60,000 BTUs.
- 120 Volt 15 Amp required for venting.
- Gas & Electrical connection to be completed on-site at service door.
- 6" ID B-Vent chimney system required.
- All standard fireplaces painted in factory matte black finish. Custom paint colors and patina finishes available.
- Switch operation on wall (not included).
- All dimensions are in inches.
- Exact measurements may vary $\pm 1/4"$.

- Optional decorative chimney cover available at add'l cost.
- Custom anchor options available at add'l cost.
- Enervex Intelli Draft and Damper System.
- The height of the chimney vent must extend a minimum of 2 ft. above the roof exit.

CLEARANCE TO COMBUSTIBLES

1. 12" min. from floor to the bottom of the fireplace.
2. A minimum 12" distance between a combustible wall and fireplace body is required.
3. 1" where anchor or flue crosses the ceiling or roof.