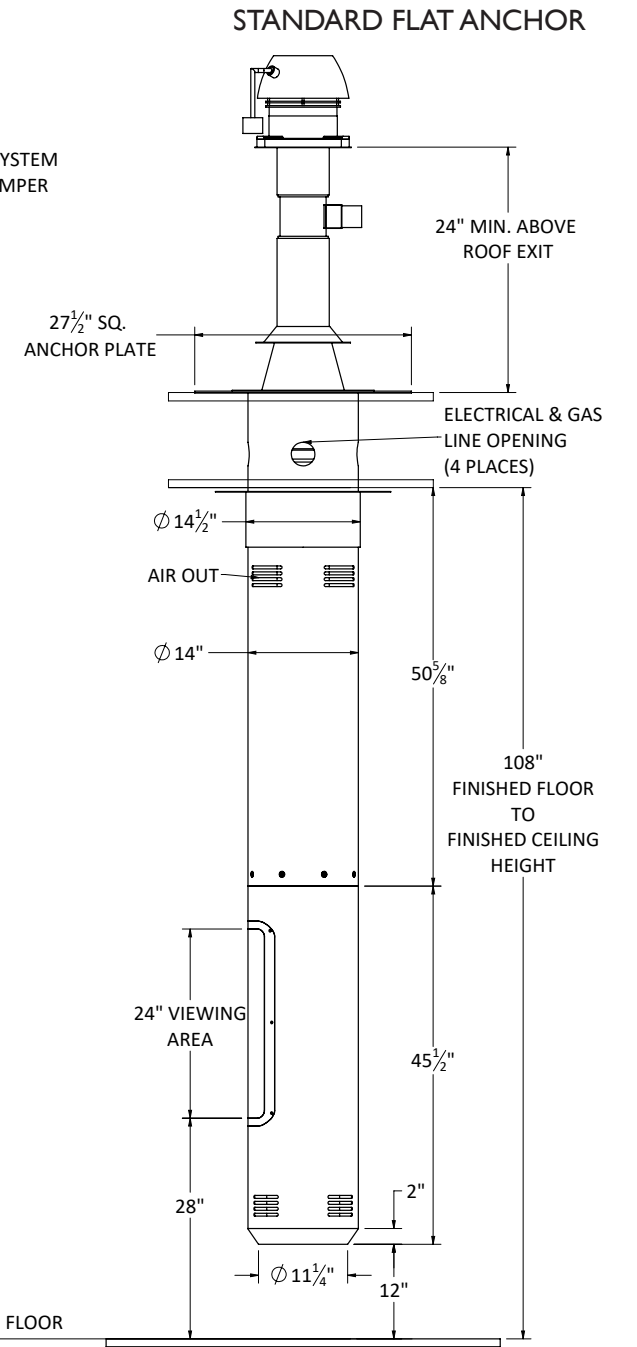
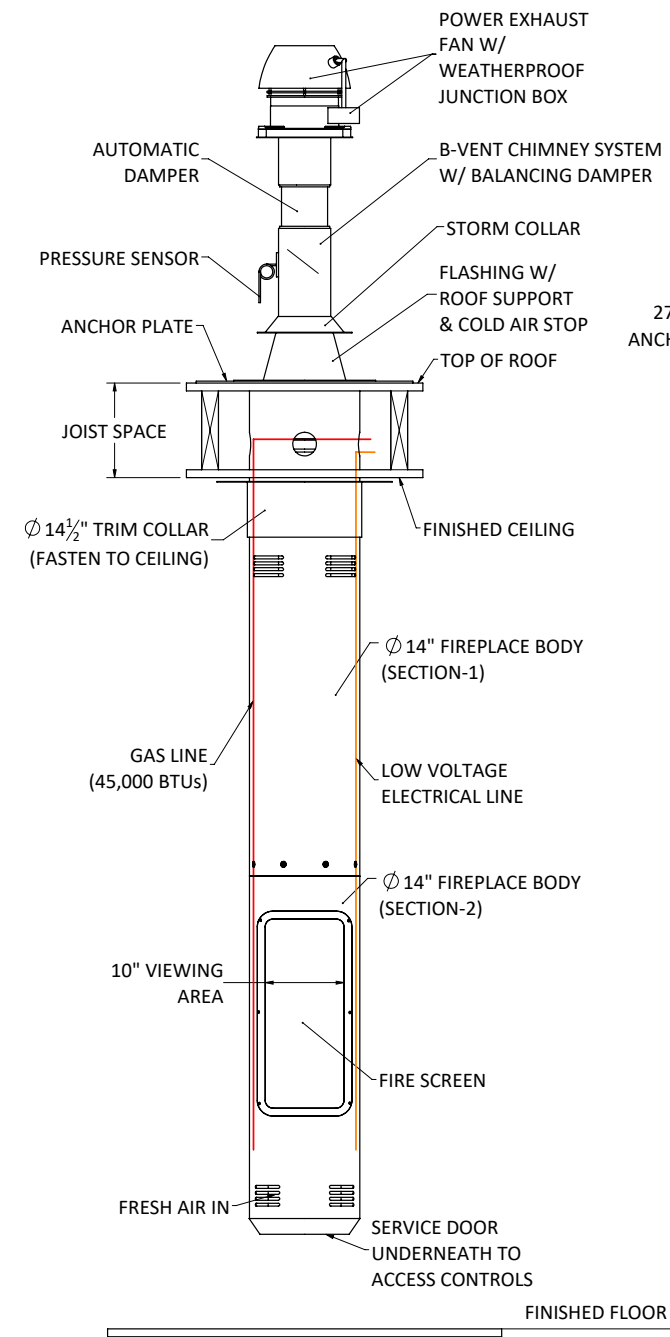
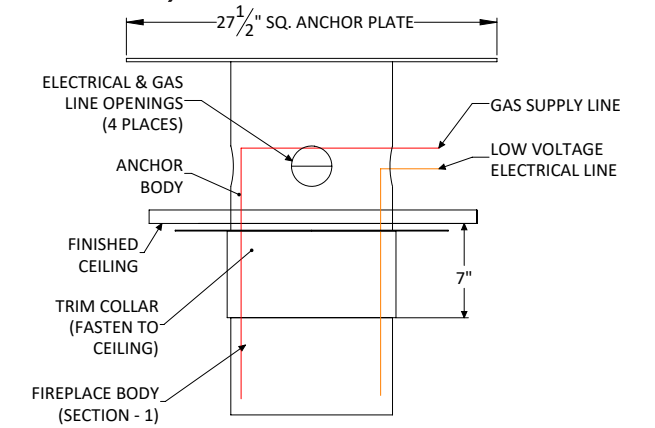


## LANCE | Suspended Gas Fireplace (Vertical Termination)



Standard 9ft. Ceiling Application approx. weights	
Flat Anchor	80 lbs.
Fireplace body (Section-1)	125 lbs.
Fireplace body (Section-2)	150 lbs.
<b>Total Standard Fireplace</b>	<b>355 lbs.</b>



**FRONT ELEVATION** **RIGHT SIDE ELEVATION**  
Shown with standard 9 ft. ceiling application and flat anchor option.



Fireplaces have been tested and proved to comply with: ANSI Z21.50/CSA 2.22 Vented Gas Fireplace. Certified under: ICC-ES PMG-1290

- Natural Gas or Propane fueled.
- Natural Gas Burner: approx. 45,000 BTUs.
- Propane Burner: approx. 40,000 BTUs.
- 120 Volt 15 Amp required for venting.
- Gas & Electrical connection to be completed on-site at service door.
- 6" ID B-Vent chimney system required.
- All standard fireplaces painted in factory matte black finish. Custom paint colors and patina finishes available.
- Switch operation on wall (not included).
- All dimensions are in inches.
- Exact measurements may vary  $\pm 1/4"$ .

- Optional decorative chimney cover available at add'l cost.
- Custom anchor options available at add'l cost.
- Enervex Intelli Draft and Damper System.
- The height of the chimney vent must extend a minimum of 2 ft. above the roof exit.

**CLEARANCE TO COMBUSTIBLES**

1. 12" min. from floor to the bottom of the fireplace.
2. A minimum 12" distance between a combustible wall and fireplace body is required.
3. 1" where anchor or flue crosses the ceiling or roof.