

# VITA | Fireplaces

North American Designed & Manufactured by **CF + D** | custom fireplace design



## AIDAN Single-Sided | Suspended Gas Fireplace



Fireplaces have been tested and proved to comply with ANSI Z21.50/CSA 2.22 Vented Gas Fireplace. Certified under: ICC-ES PMG-1290

### PRODUCT LAYOUT PACKAGE (VERTICAL TERMINATION)

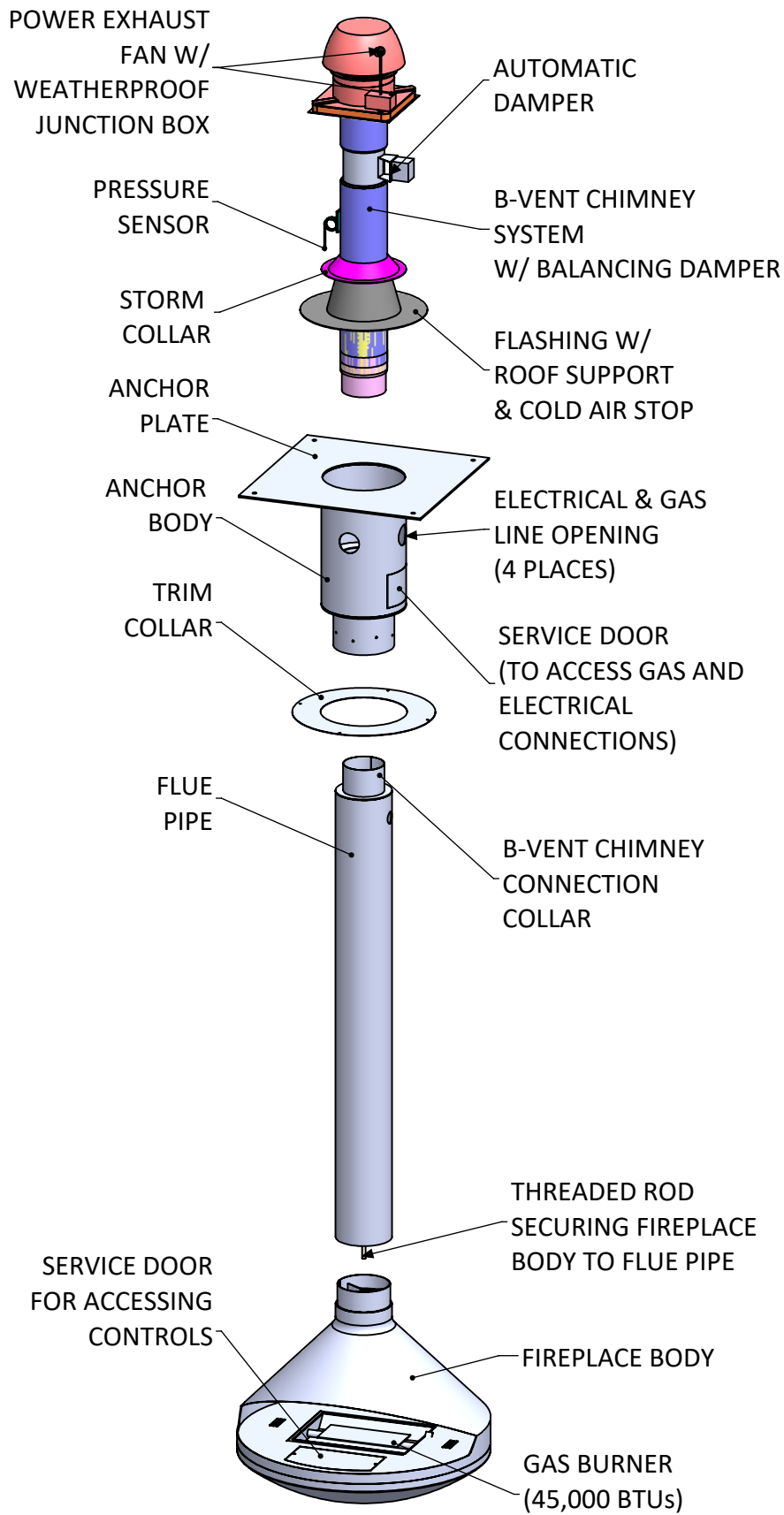
2020-06-15

**CF + D** | custom fireplace design

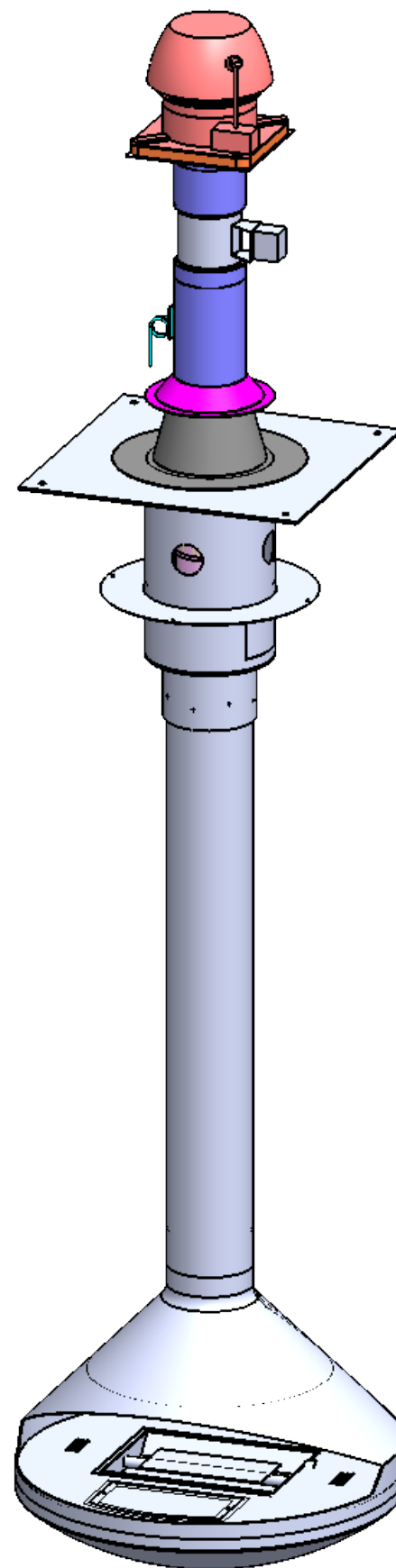
[www.customfireplacedesign.com](http://www.customfireplacedesign.com)

H

H



**EXPLODED VIEW**



**ASSEMBLY VIEW**

G

G

F

F

E

E

D

D

**AIDAN Single-Sided | Suspended Gas Fireplace**  
**Product Information**

- Fireplaces have been tested and proved to comply with ANSI Z21.50/CSA 2.22 Vented Gas Fireplace. Certified under: ICC-ES PMG-1290.
- Natural Gas or Propane fueled.
- Natural Gas Burner: approx. 45,000 BTUs.
- Propane Burner: approx. 40,000 BTUs.
- 120 Volt 15 Amp required for venting.
- Gas & Electrical connections to be completed on-site at service door.
- 6" ID B-Vent chimney system required.
- All standard fireplaces painted in factory matte black finish. Custom colors and patina finishes available.
- Switch operation on wall (not included).
- All dimensions are in inches.
- Exact measurements may vary  $\pm 1/4"$ .
- Optional decorative chimney cover available at add'l cost.

- Custom anchor options available at add'l cost.
- Enervex Intelli Draft and Damper System.
- The height of the chimney vent must extend a minimum of 2 ft. above the roof exit.

**STANDARD PRODUCT WEIGHTS**

SR. NO.	COMPONENT REFERENCE	WEIGHT
1	ANCHOR ( $\phi$ 12" x 25" Long)	85 lbs. approx.
2	FLUE ( $\phi$ 8" x 67" Long)	60 lbs. approx.
3	FIREPLACE BODY	165 lbs. approx.
<b>TOTAL FIREPLACE WEIGHT (FOR 9 FT. CEILING APPLICATION)</b>		<b>310 lbs. approx.</b>

\*Each add'l. 1 ft. of flue pipe weighs : approx. 11 lbs.  
\*Each add'l. 1 ft. of anchor pipe weighs : approx. 17 lbs.

C

C

B

B

North American Designed & Manufactured by:



5230 Harvester Rd. Unit # 2 Burlington, Ontario Canada L7L 4X4  
Phone: 905 681-3070 Fax: 905 681-8697

PROJECT AIDAN Single-Sided   Suspended Gas Fireplace	REV 0
---	----------

UNLESS OTHERWISE SPECIFIED		DESCRIPTION	
DIMENSIONS ARE IN INCHES		Assembly View	
TOLERANCES:		NAME	DATE
FRACTIONAL $\pm 1/16$			(mm/dd/yyyy)
ANGULAR: MACH $\pm 1^\circ$ BEND $\pm 0.5^\circ$		DRAWN	
TWO PLACE DECIMAL $\pm 0.01$		CHECKED	
THREE PLACE DECIMAL $\pm 0.005$		APPROVED	
SIZE <b>B</b>	SHEET 2 OF 7	DO NOT SCALE DRAWING	NA

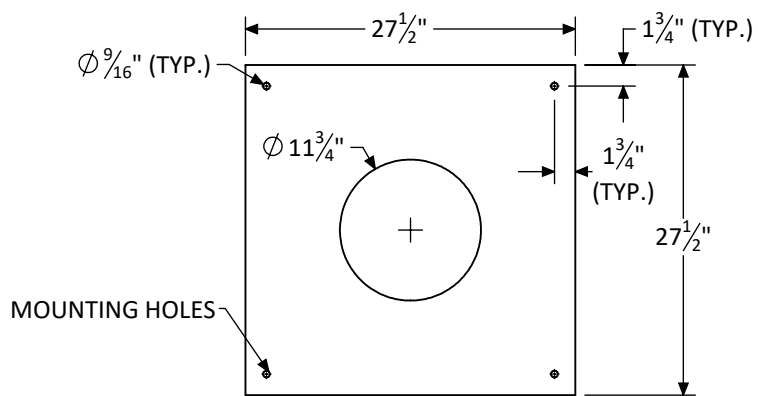
PROPRIETARY AND CONFIDENTIAL  
THE INFORMATION CONTAINED IN THIS DRAWING IS THE SOLE PROPERTY OF CUSTOM FIREPLACE DESIGN. ANY REPRODUCTION IN PART OR AS A WHOLE WITHOUT THE WRITTEN PERMISSION OF CUSTOM FIREPLACE DESIGN IS PROHIBITED.

A

A

H

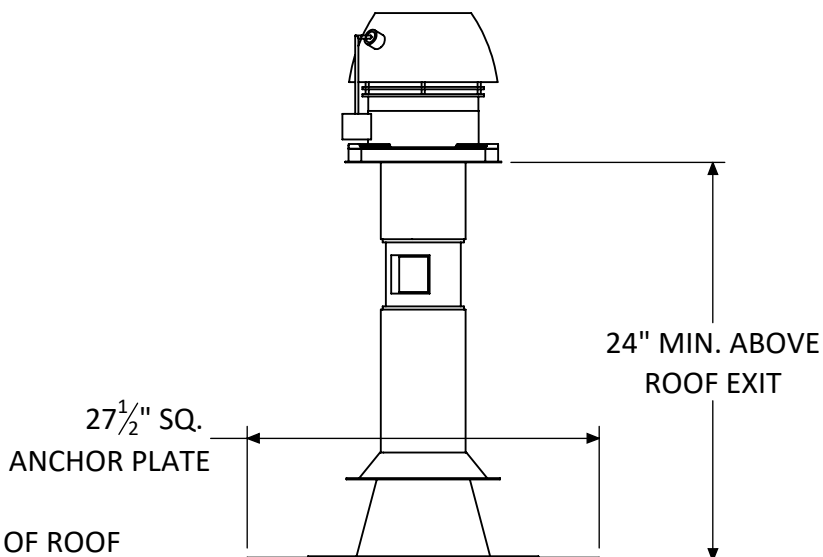
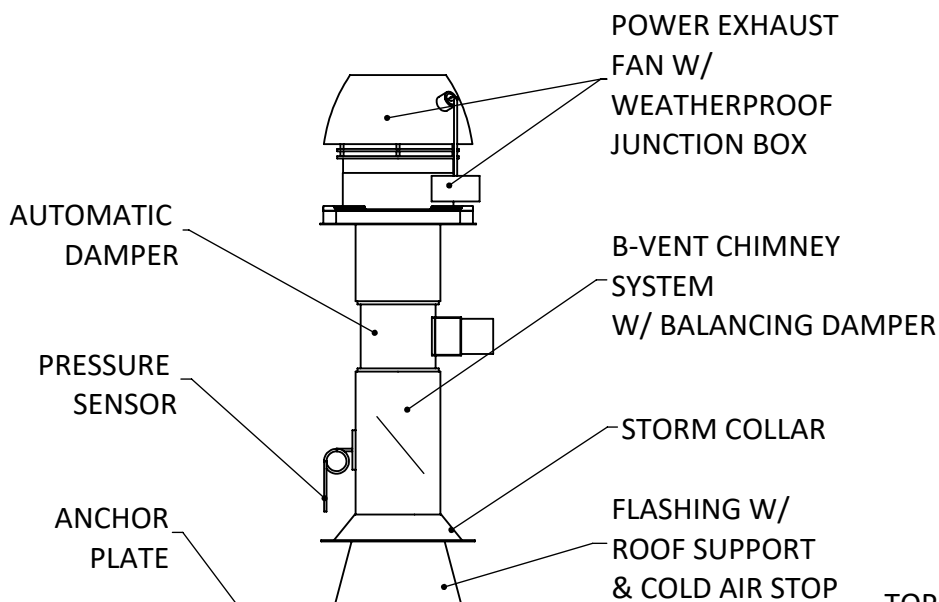
H



**STANDARD ANCHOR PLATE- 1/4" THICK.**

G

G

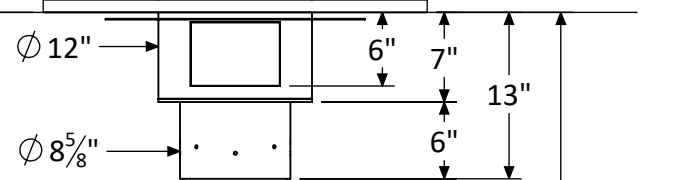
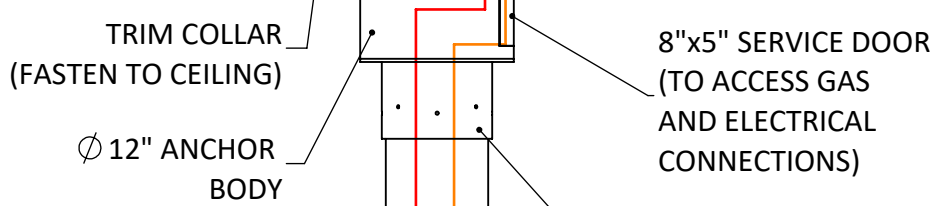


F

F

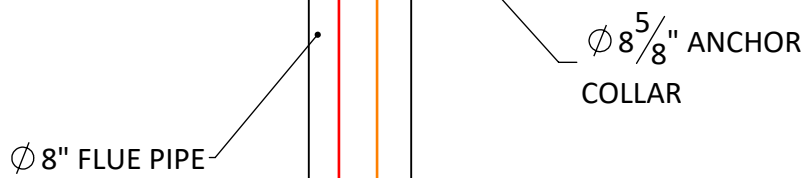
E

E



D

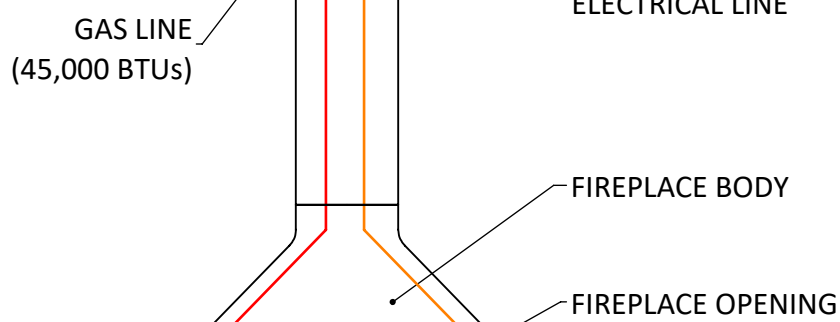
D



66 3/4"

C

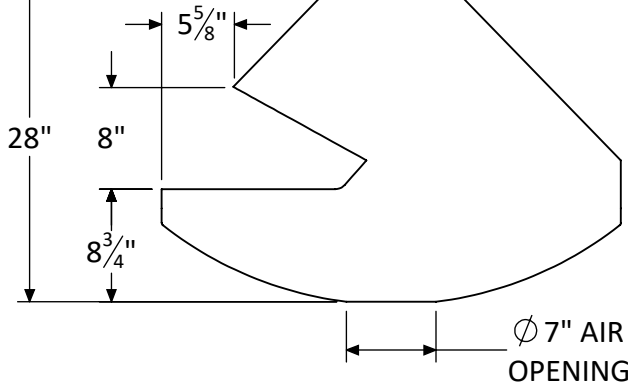
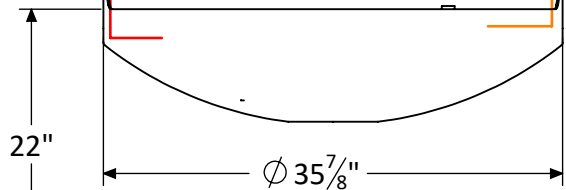
C



108" FINISHED FLOOR TO FINISHED CEILING HEIGHT

B

B



FINISHED FLOOR

North American Designed & Manufactured by:

**CF + D**

custom fireplace design

5230 Harvester Rd. Unit # 2 Burlington, Ontario Canada L7L 4X4  
Phone: 905 681-3070 Fax: 905 681-8697

PROJECT  
AIDAN Single-Sided | Suspended Gas Fireplace

REV  
0

UNLESS OTHERWISE SPECIFIED

DESCRIPTION  
Specifications

DIMENSIONS ARE IN INCHES  
TOLERANCES:  
FRACTIONAL ± 1/16  
ANGULAR: MACH ± 1° BEND ± 0.5°  
TWO PLACE DECIMAL ± 0.01  
THREE PLACE DECIMAL ± 0.005



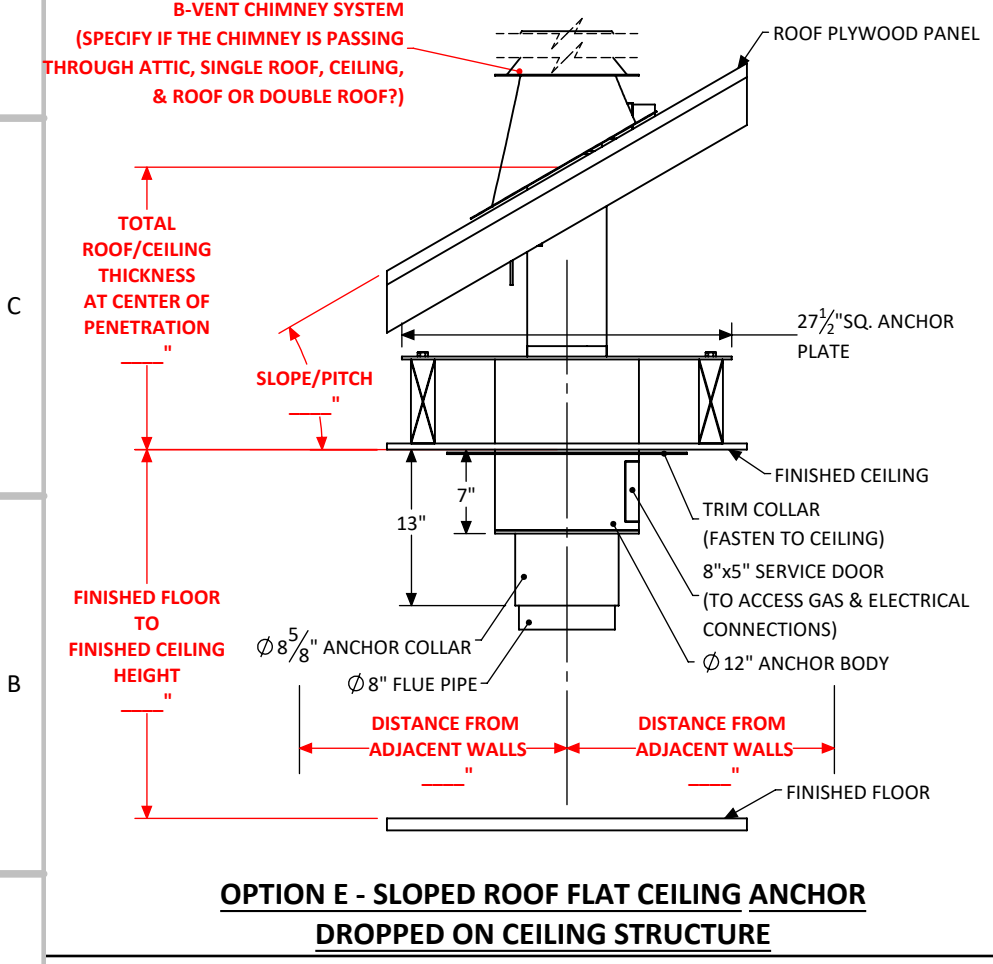
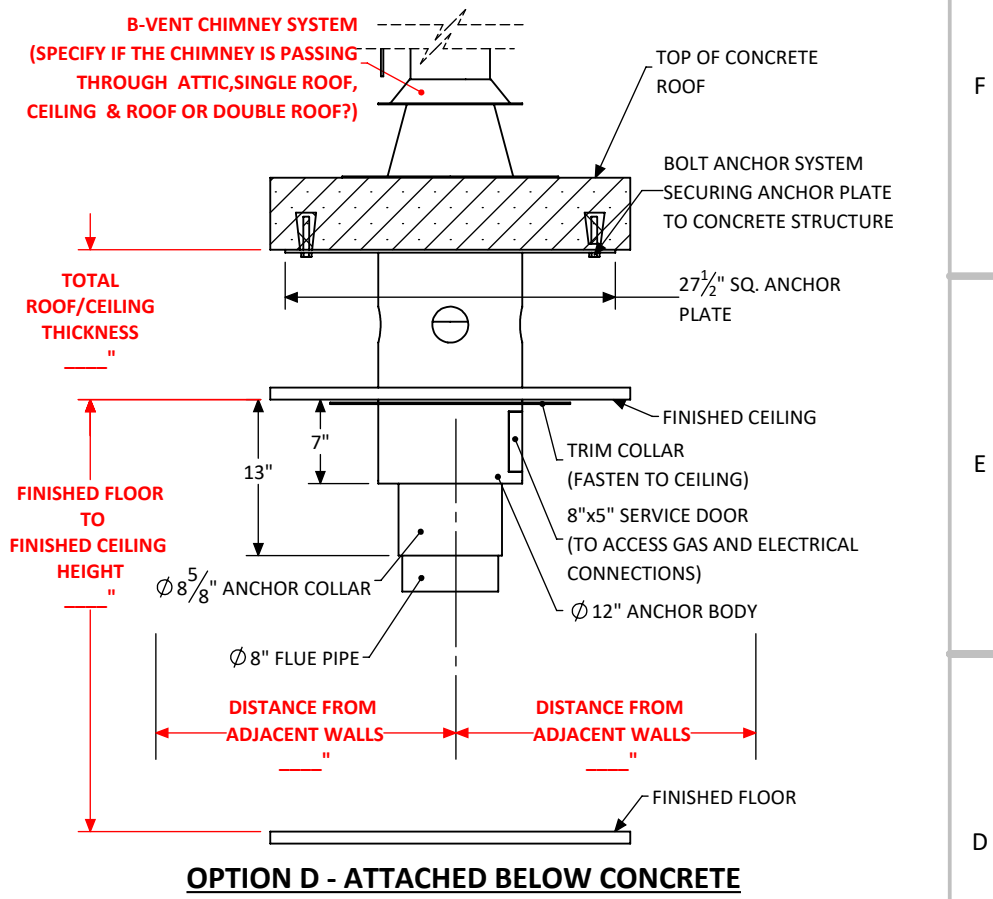
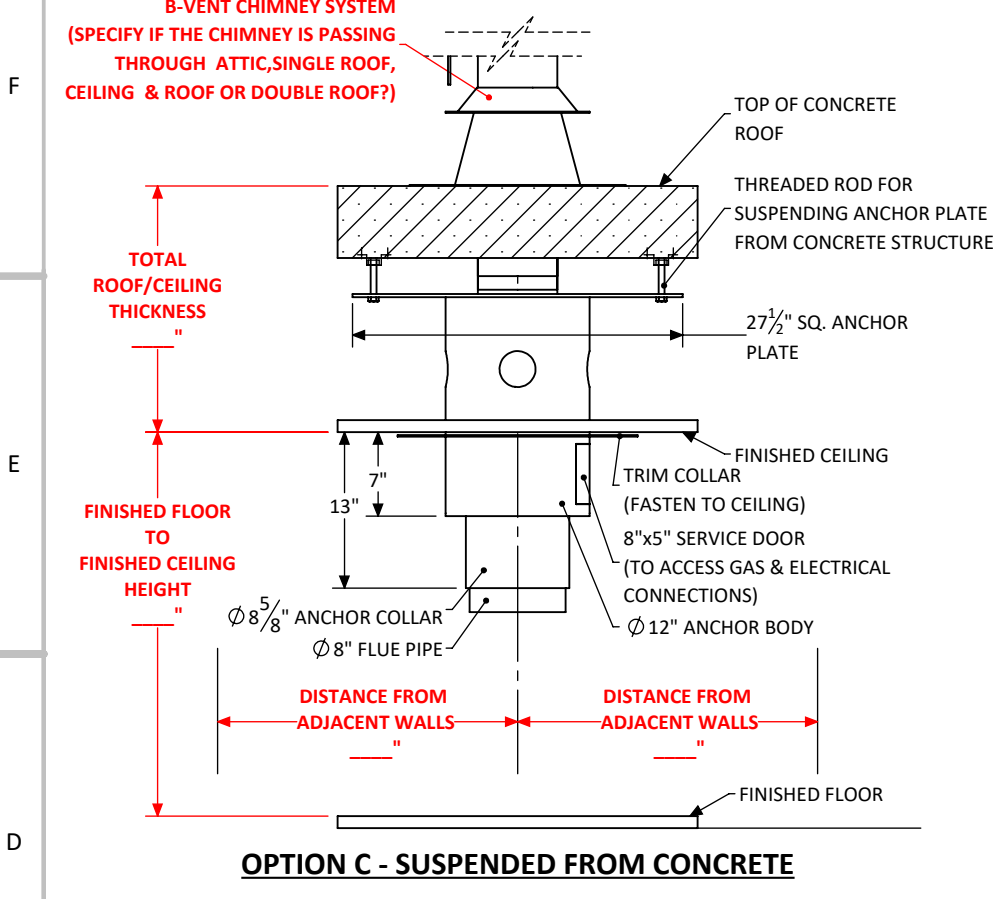
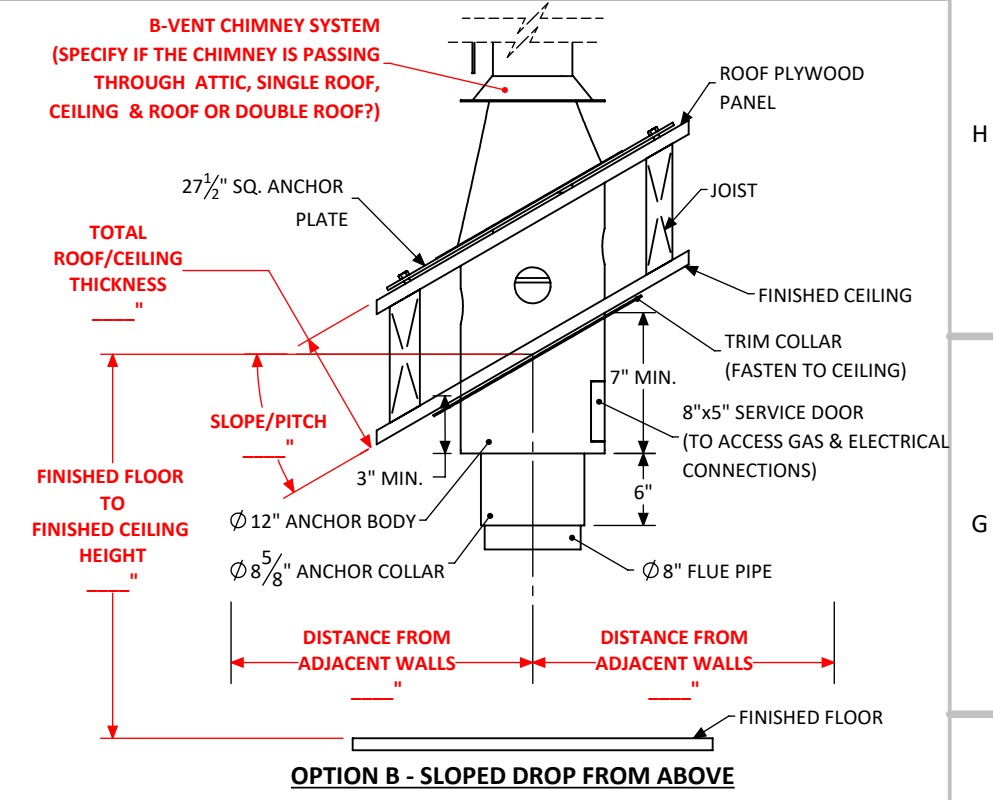
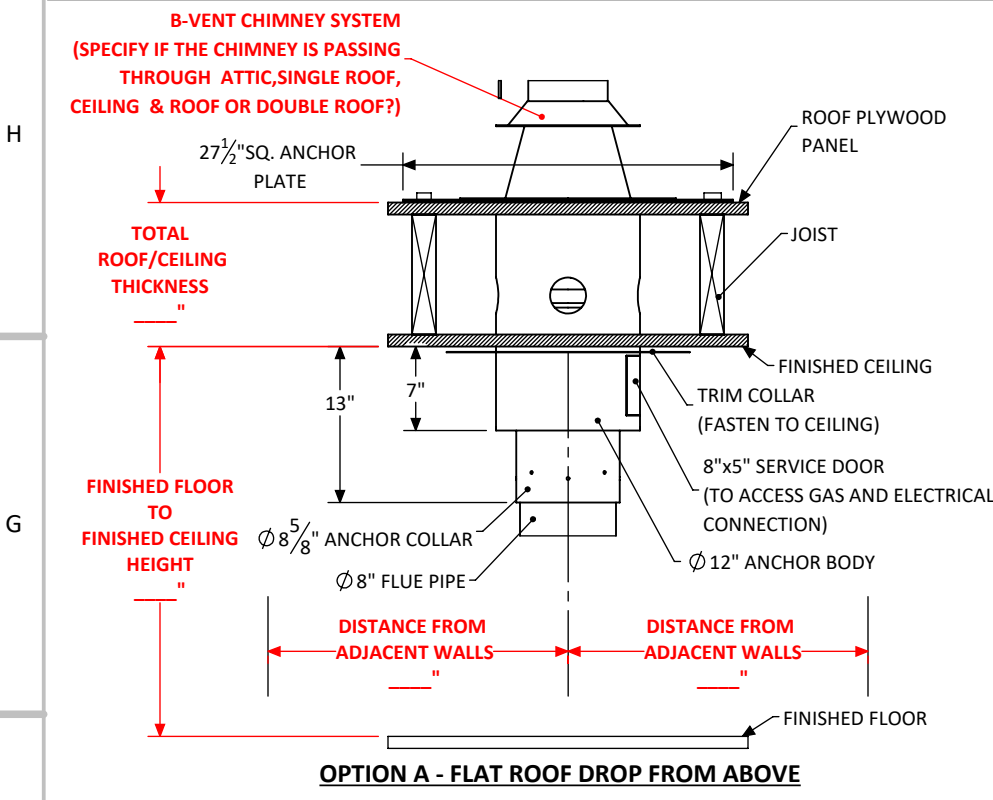
	NAME	DATE (mm/dd/yyyy)
DRAWN	mpanchal	2020-06-15
CHECKED	MV	2020-06-15
APPROVED	--	NA

SIZE B SHEET 3 OF 7 DO NOT SCALE DRAWING

PROPRIETARY AND CONFIDENTIAL

THE INFORMATION CONTAINED IN THIS DRAWING IS THE SOLE PROPERTY OF CUSTOM FIREPLACE DESIGN. ANY REPRODUCTION IN PART OR AS A WHOLE WITHOUT THE WRITTEN PERMISSION OF CUSTOM FIREPLACE DESIGN IS PROHIBITED.

**CUSTOM ANCHOR OPTIONS AVAILABLE (PLEASE FILL IN THE BLANKS AS PER SITE SPECIFIC DETAILS)**



North American Designed & Manufactured by:

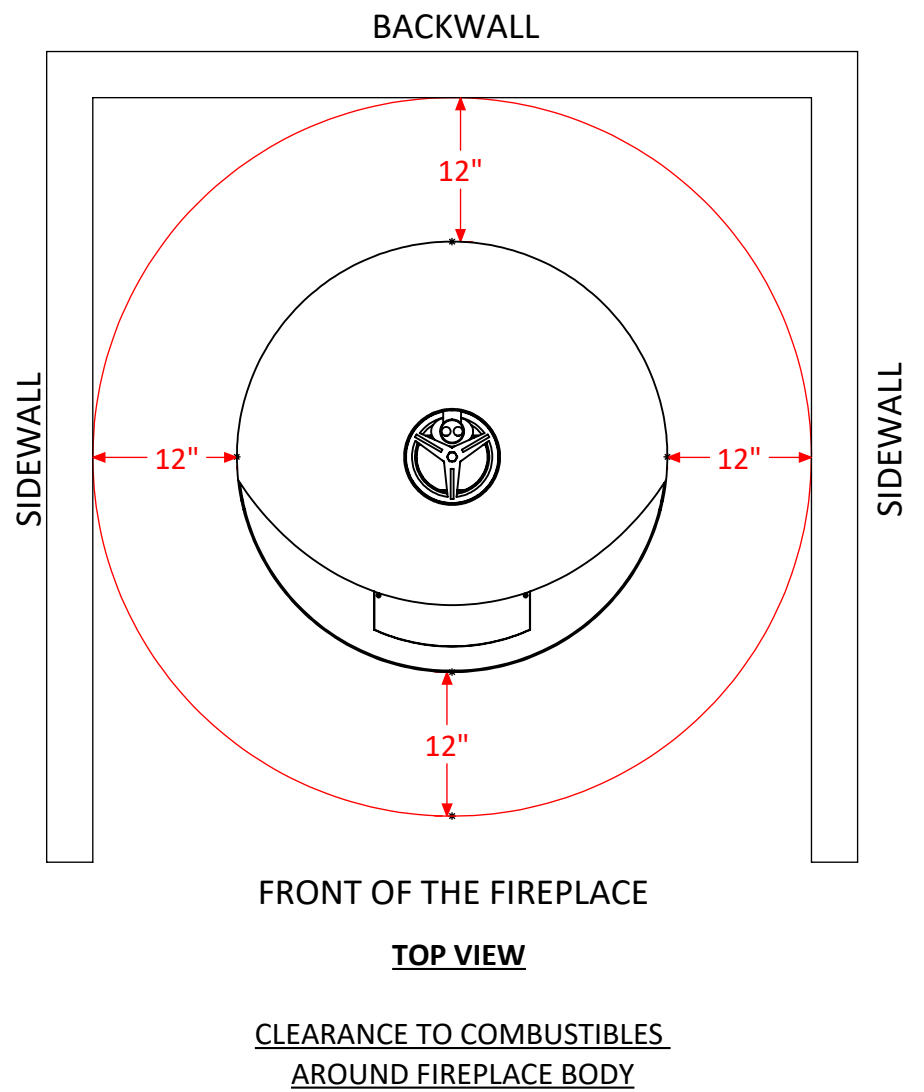
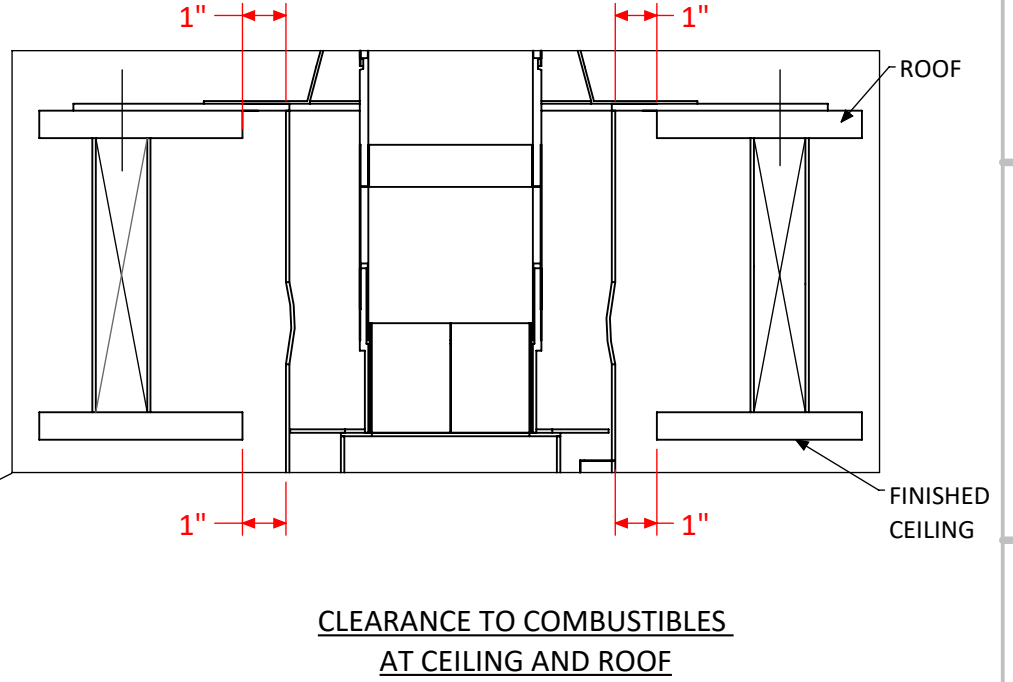
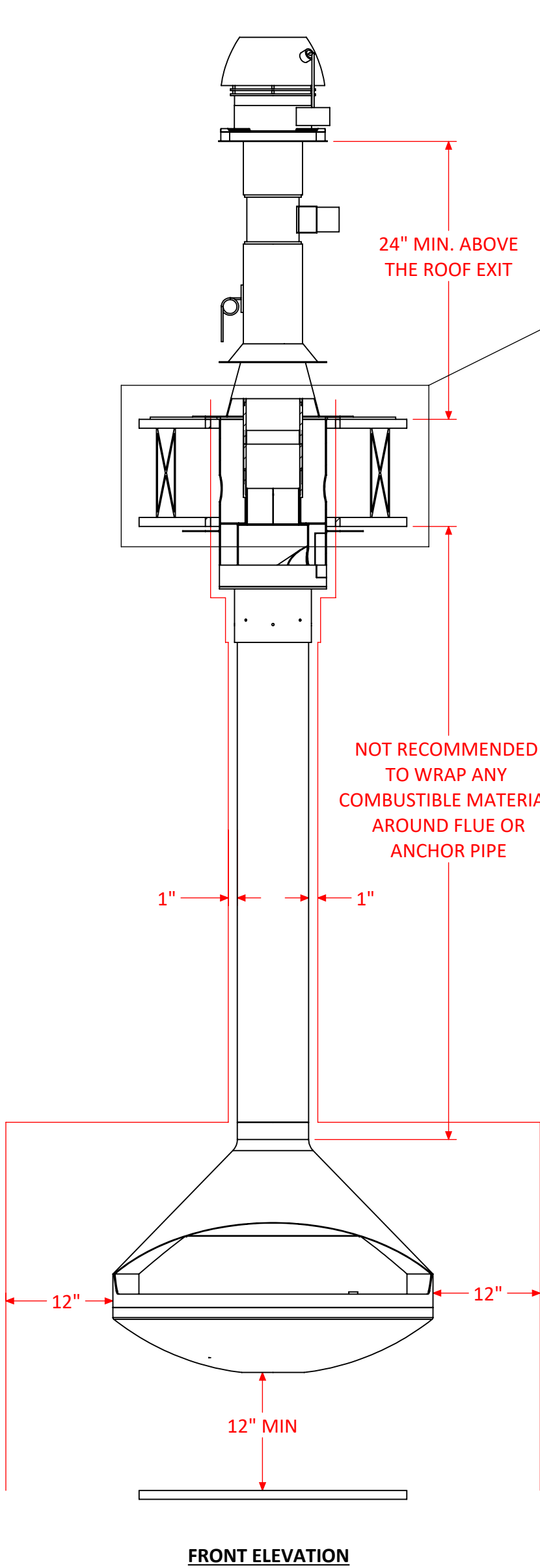
**CF + D**  
custom fireplace design

5230 Harvester Rd. Unit # 2 Burlington, Ontario Canada L7L 4X4  
Phone: 905 681-3070 Fax: 905 681-8697

PROJECT	AIDAN Single-Sided   Suspended Gas Fireplace		REV	0
UNLESS OTHERWISE SPECIFIED	DESCRIPTION		Anchor Options	
DIMENSIONS ARE IN INCHES	DRAWN		NAME	DATE
TOLERANCES:	CHECKED		mv	2020-06-21
FRACTIONAL ± 1/16	APPROVED		--	NA
ANGULAR: MACH ± 1° BEND ± 0.5°	SIZE B SHEET 4 OF 7		DO NOT SCALE DRAWING	
TWO PLACE DECIMAL ± 0.01				
THREE PLACE DECIMAL ± 0.005				

PROPRIETARY AND CONFIDENTIAL  
THE INFORMATION CONTAINED IN THIS DRAWING IS THE SOLE PROPERTY OF CUSTOM FIREPLACE DESIGN. ANY REPRODUCTION IN PART OR AS A WHOLE WITHOUT THE WRITTEN PERMISSION OF CUSTOM FIREPLACE DESIGN IS PROHIBITED.

# CLEARANCE TO COMBUSTIBLES



**CLEARANCE TO COMBUSTIBLES:**

1. 12" from floor to the bottom of the fireplace.
2. A minimum 12" distance between a combustible wall and fireplace body is required.
3. 1" where the anchor or flue crosses the ceiling & roof.

North American Designed & Manufactured by:

CF + D

custom fireplace design

5230 Harvester Rd. Unit # 2 Burlington, Ontario Canada L7L 4X4  
Phone: 905 681-3070 Fax: 905 681-8697

**PROJECT**

AIDAN Single-Sided | Suspended Gas Fireplace

**REV**

0

**UNLESS OTHERWISE SPECIFIED**

DIMENSIONS ARE IN INCHES  
TOLERANCES:  
FRACTIONAL ± 1/16  
ANGULAR: MACH ± 1° BEND ± 0.5°  
TWO PLACE DECIMAL ± 0.01  
THREE PLACE DECIMAL ± 0.005



**DESCRIPTION**

Clearance to Combustibles

	NAME	DATE (mm/dd/yyyy)
DRAWN	mpanchal	2020-06-15
CHECKED	MV	2020-06-15
APPROVED	--	NA

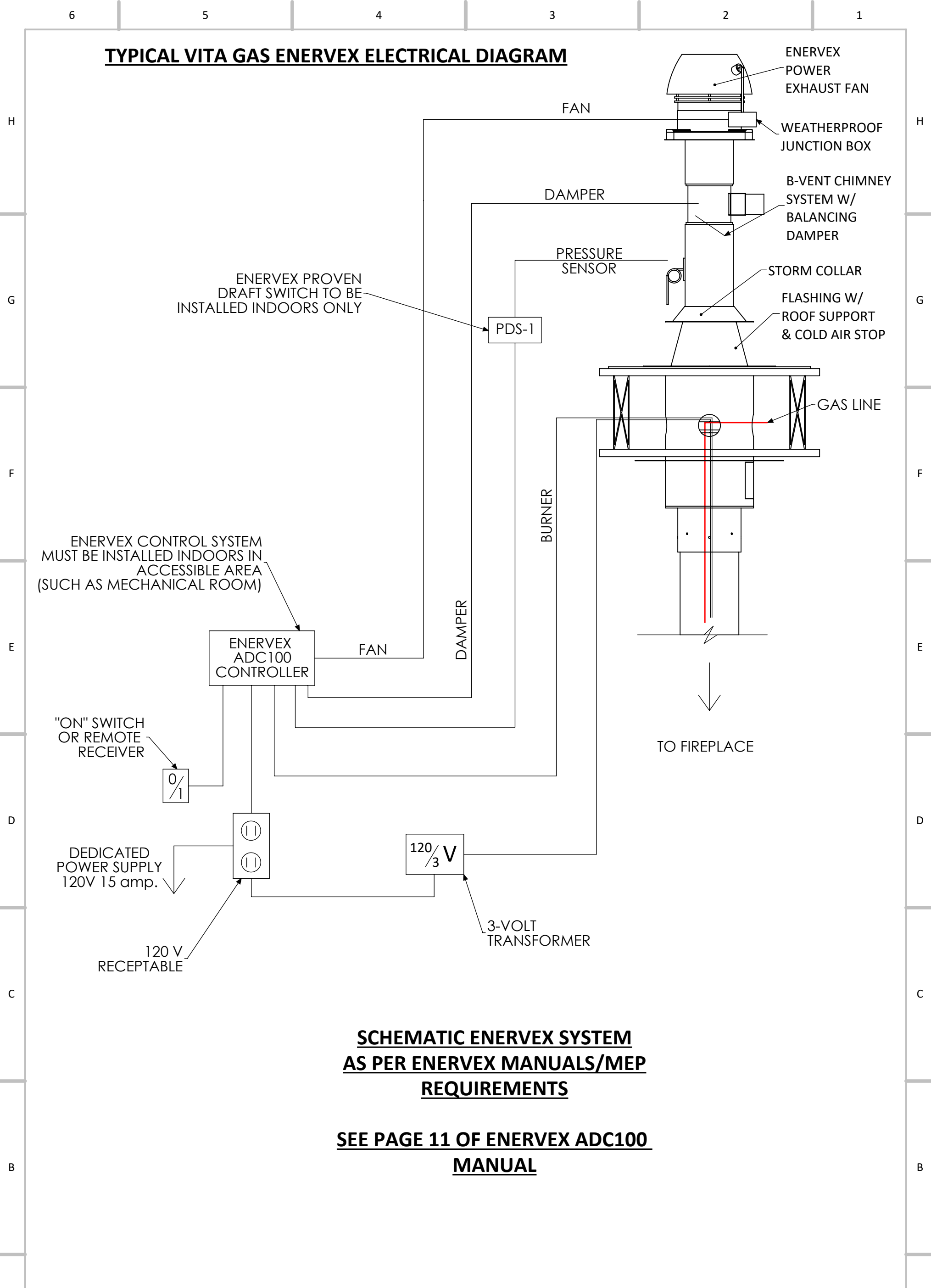
SIZE **B** SHEET 5 OF 7

DO NOT SCALE DRAWING

PROPRIETARY AND CONFIDENTIAL

THE INFORMATION CONTAINED IN THIS DRAWING IS THE SOLE PROPERTY OF CUSTOM FIREPLACE DESIGN. ANY REPRODUCTION IN PART OR AS A WHOLE WITHOUT THE WRITTEN PERMISSION OF CUSTOM FIREPLACE DESIGN IS PROHIBITED.

# TYPICAL VITA GAS ENERVEX ELECTRICAL DIAGRAM



**SCHEMATIC ENERVEX SYSTEM**  
**AS PER ENERVEX MANUALS/MEP**  
**REQUIREMENTS**

**SEE PAGE 11 OF ENERVEX ADC100**  
**MANUAL**

North American Designed & Manufactured by:



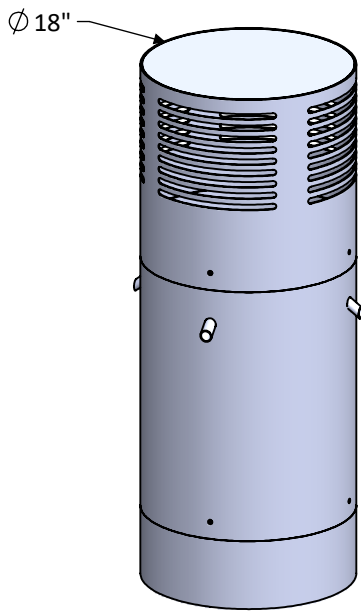
5230 Harvester Rd. Unit # 2 Burlington, Ontario Canada L7L 4X4  
 Phone: 905 681-3070 Fax: 905 681-8697

PROJECT AIDAN Single-Sided   Suspended Gas Fireplace		REV 0
UNLESS OTHERWISE SPECIFIED		DESCRIPTION Electrical Diagram
DIMENSIONS ARE IN INCHES		
TOLERANCES:		
FRACTIONAL ± 1/16		
ANGULAR: MACH ± 1° BEND ± 0.5°		
TWO PLACE DECIMAL ± 0.01		
THREE PLACE DECIMAL ± 0.005		
DRAWN	NAME mpanchal	DATE (mm/dd/yyyy) 2020-06-15
CHECKED	MV	2020-06-15
APPROVED	--	NA

SIZE B SHEET 6 OF 7 DO NOT SCALE DRAWING

PROPRIETARY AND CONFIDENTIAL  
 THE INFORMATION CONTAINED IN THIS DRAWING IS THE SOLE PROPERTY OF CUSTOM FIREPLACE DESIGN.  
 ANY REPRODUCTION IN PART OR AS A WHOLE WITHOUT THE WRITTEN PERMISSION OF CUSTOM FIREPLACE DESIGN IS PROHIBITED.

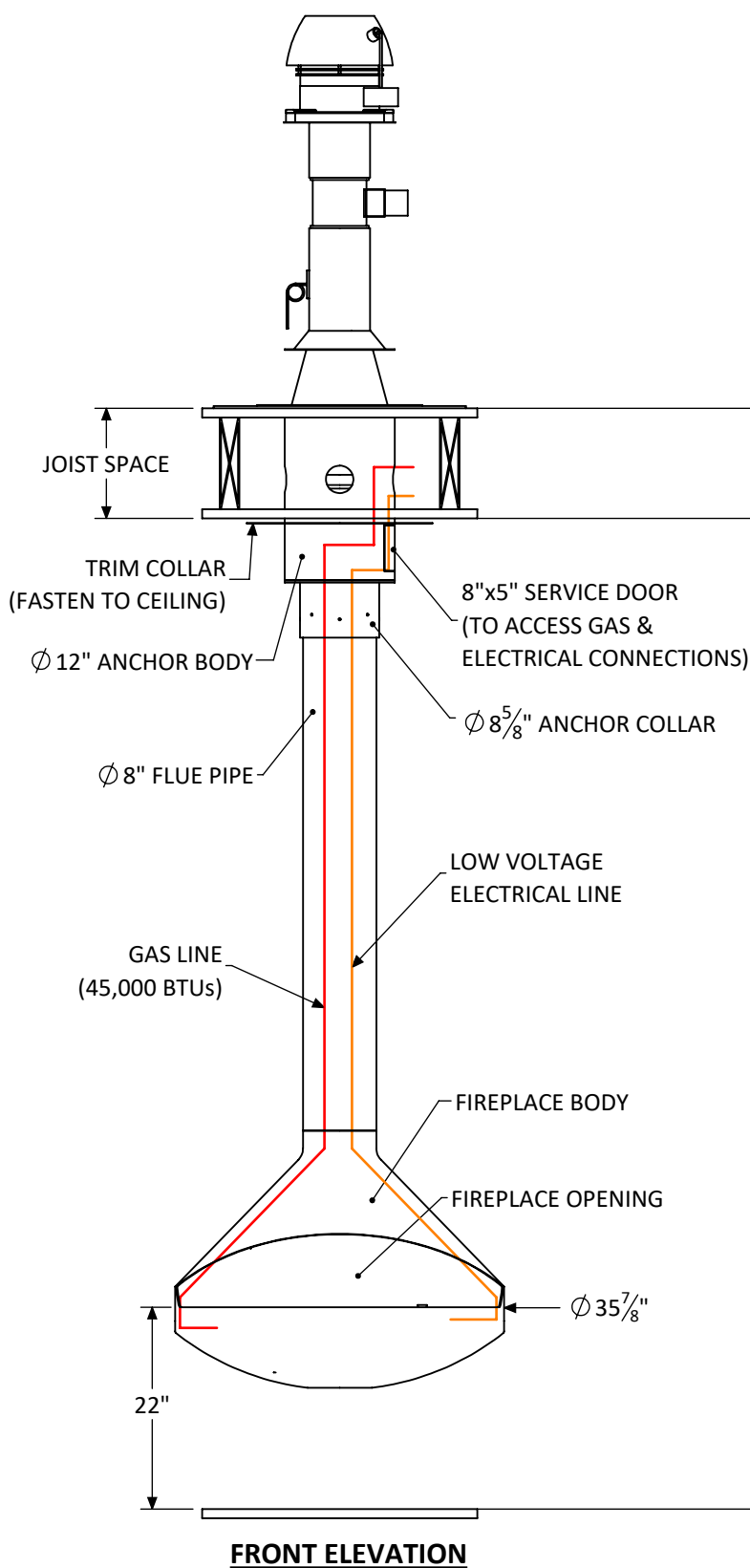
# OPTIONAL DECORATIVE CHIMNEY COVER (ROUND)



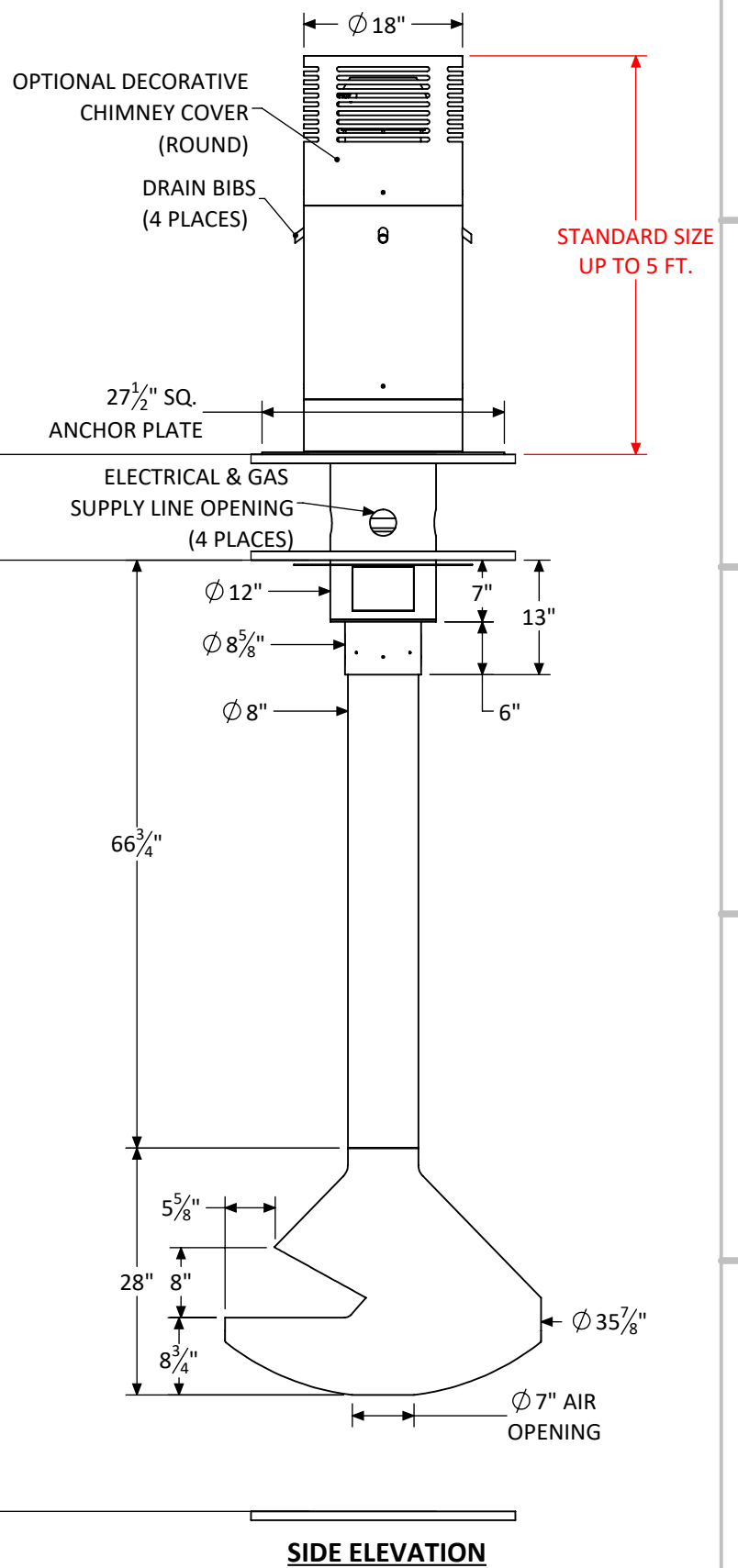
(STANDARD SIZE UP TO 5 FT.)

WITHOUT DECORATIVE CHIMNEY COVER

WITH DECORATIVE CHIMNEY COVER



FRONT ELEVATION



SIDE ELEVATION

Shown with Standard 9 ft. Flat Ceiling Application & Gas Burner Custom Lengths & Anchor Options Available

North American Designed & Manufactured by:



5230 Harvester Rd. Unit # 2 Burlington, Ontario Canada L7L 4X4  
Phone: 905 681-3070 Fax: 905 681-8697

PROJECT  
AIDAN Single-Sided | Suspended Gas Fireplace

REV  
0

UNLESS OTHERWISE SPECIFIED  
DIMENSIONS ARE IN INCHES  
TOLERANCES:  
FRACTIONAL  $\pm 1/16$   
ANGULAR: MACH  $\pm 1^\circ$  BEND  $\pm 0.5^\circ$   
TWO PLACE DECIMAL  $\pm 0.01$   
THREE PLACE DECIMAL  $\pm 0.005$

DESCRIPTION		DATE
Decorative Cover Options		(mm/dd/yyyy)
	NAME	
DRAWN	mpanchal	2020-06-15
CHECKED	MV	2020-06-15
APPROVED	--	NA

SIZE B SHEET 7 OF 7 DO NOT SCALE DRAWING

PROPRIETARY AND CONFIDENTIAL  
THE INFORMATION CONTAINED IN THIS DRAWING IS THE SOLE PROPERTY OF CUSTOM FIREPLACE DESIGN. ANY REPRODUCTION IN PART OR AS A WHOLE WITHOUT THE WRITTEN PERMISSION OF CUSTOM FIREPLACE DESIGN IS PROHIBITED.