

# VITA | Fireplaces

North American Designed & Manufactured by **CF + D** | custom fireplace design



## CALLISTA Single-Sided | Suspended Gas Fireplace



Fireplaces have been tested and proved to comply with ANSI Z21.50/CSA 2.22 Vented Gas Fireplace. Certified under: ICC-ES PMG-1290

### PRODUCT LAYOUT PACKAGE (VERTICAL TERMINATION)

2020-06-17

**CF + D** | custom fireplace design

[www.customfireplacedesign.com](http://www.customfireplacedesign.com)

POWER EXHAUST FAN  
W/ WEATHERPROOF  
JUNCTION BOX

PRESSURE  
SENSOR

STORM  
COLLAR

ANCHOR  
PLATE

ANCHOR  
BODY

TRIM  
COLLAR

FLUE  
PIPE

SERVICE DOOR  
FOR ACCESSING  
CONTROLS

AUTOMATIC  
DAMPER

B-VENT CHIMNEY  
SYSTEM  
W/ BALANCING  
DAMPER

FLASHING W/  
ROOF SUPPORT  
& COLD AIR STOP

ELECTRICAL & GAS  
LINE OPENING  
(4 PLACES)

SERVICE DOOR  
(TO ACCESS GAS &  
ELECTRICAL  
CONNECTIONS)

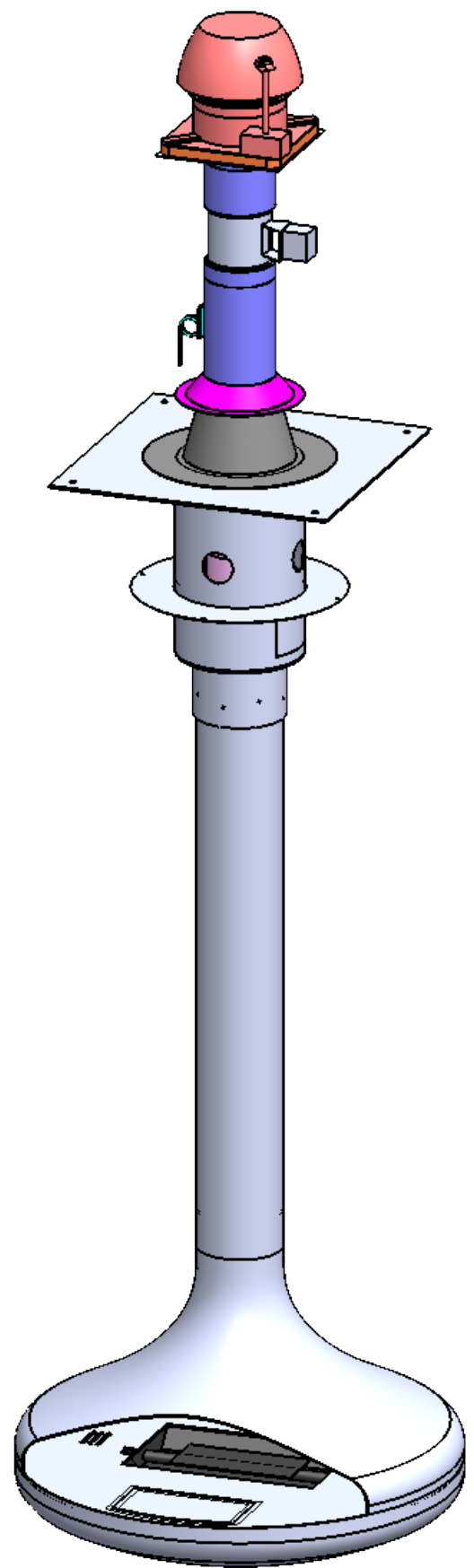
B-VENT CHIMNEY  
CONNECTION  
COLLAR

THREADED ROD  
SECURING FIREPLACE  
BODY TO FLUE PIPE

FIREPLACE BODY

GAS BURNER  
(45,000 BTUs)

**EXPLODED VIEW**



**ASSEMBLY VIEW**

**CALLISTA Single-Sided | Suspended Gas Fireplace**  
Product Information

- Fireplaces have been tested and proved to comply with ANSI Z21.50/CSA 2.22 Vented Gas Fireplace. Certified under: ICC-ES PMG-1290.
- Natural Gas or Propane fueled.
- Natural Gas Burner: approx. 45,000 BTUs.
- Propane Burner: approx. 40,000 BTUs.
- 120 Volt 15 Amp required for venting.
- Gas & Electrical connections to be completed on-site at service door.
- 6" ID B-Vent chimney system required.
- All standard fireplaces painted in factory matte black finish. Custom colors and patina finishes available.
- Switch operation on wall (not included).
- All dimensions are in inches.
- Exact measurements may vary  $\pm 1/4"$ .
- Optional decorative chimney cover available at add'l cost.

- Custom anchor options available at add'l cost.
- Enervex Intelli Draft and Damper System.
- The height of the chimney vent must extend a minimum of 2 ft. above the roof exit.

**STANDARD PRODUCT WEIGHTS**

SR. NO.	COMPONENT REFERENCE	WEIGHT
1	ANCHOR ( $\phi$ 12"x25" lg.)	85 lbs. approx.
2	FLUE ( $\phi$ 8"x67" lg.)	60 lbs. approx.
3	FIREPLACE BODY	200 lbs. approx.
TOTAL FIREPLACE WEIGHT (FOR 9 FT. CEILING APPLICATION)		345 lbs. approx.

\*Each add'l. 1 ft. of flue pipe weighs : approx. 11 lbs.  
\*Each add'l. 1 ft. of anchor pipe weighs : approx. 17 lbs.

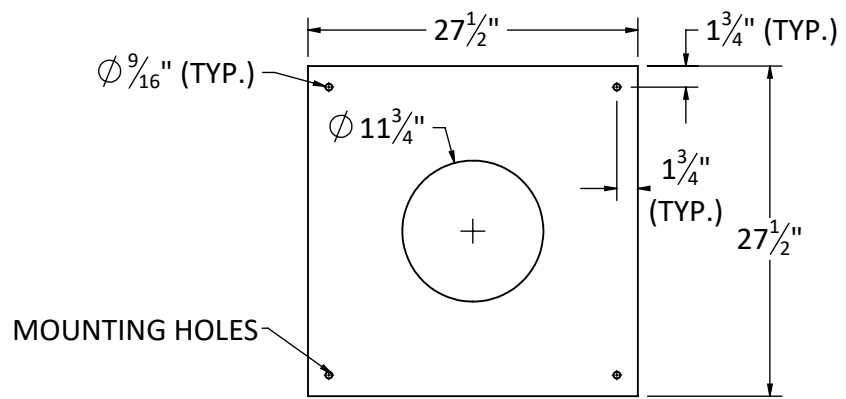
North American Designed & Manufactured by:



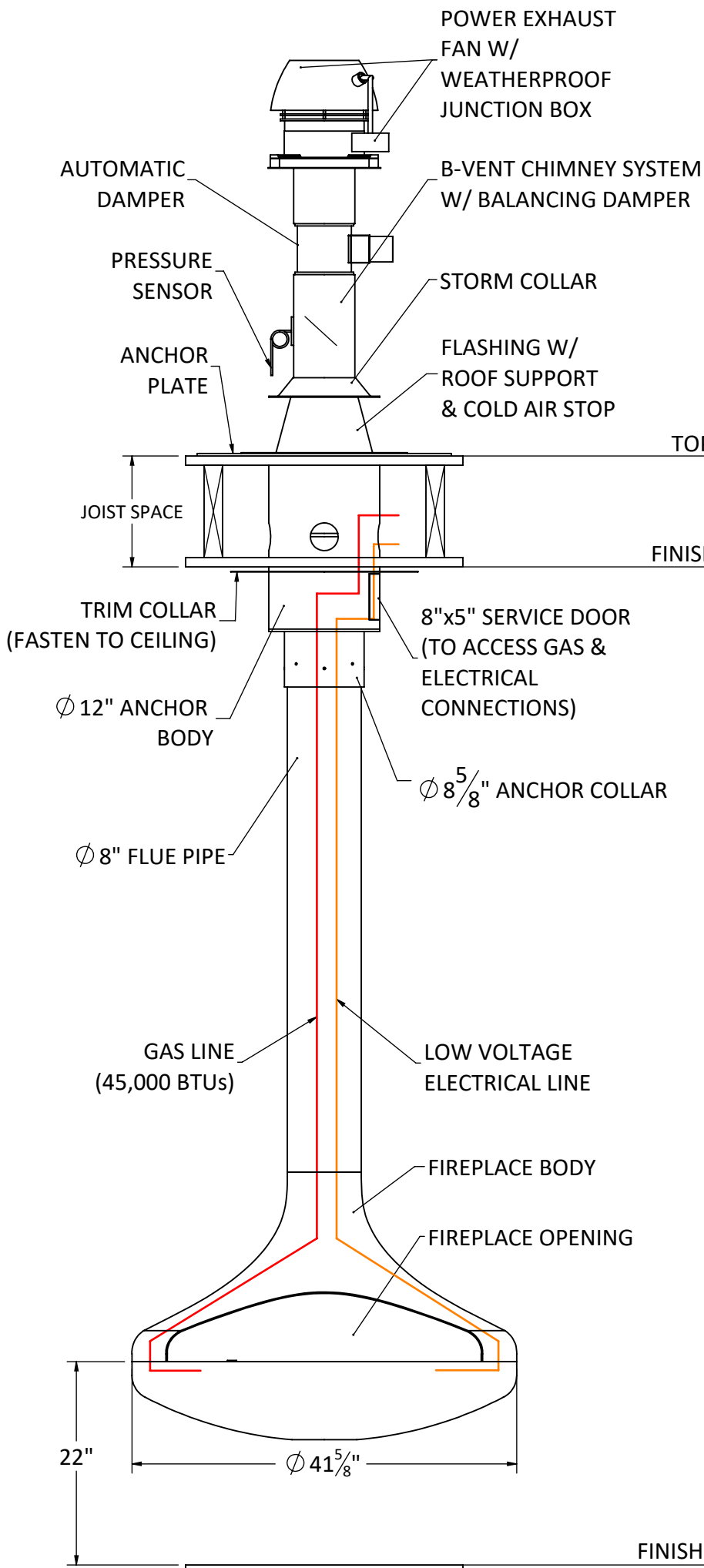
5230 Harvester Rd. Unit # 2 Burlington, Ontario Canada L7L 4X4  
Phone: 905 681-3070 Fax: 905 681-8697

PROJECT CALLISTA Single-Sided   Suspended Gas Fireplace		REV 0
UNLESS OTHERWISE SPECIFIED		DESCRIPTION Assembly View
DIMENSIONS ARE IN INCHES TOLERANCES: FRACTIONAL $\pm 1/16$ ANGULAR: MACH $\pm 1^\circ$ BEND $\pm 0.5^\circ$ TWO PLACE DECIMAL $\pm 0.01$ THREE PLACE DECIMAL $\pm 0.005$		NAME DATE (mm/dd/yyyy)
DRAWN	mpanchal	2020-06-17
CHECKED	MV	2020-06-17
APPROVED	--	NA

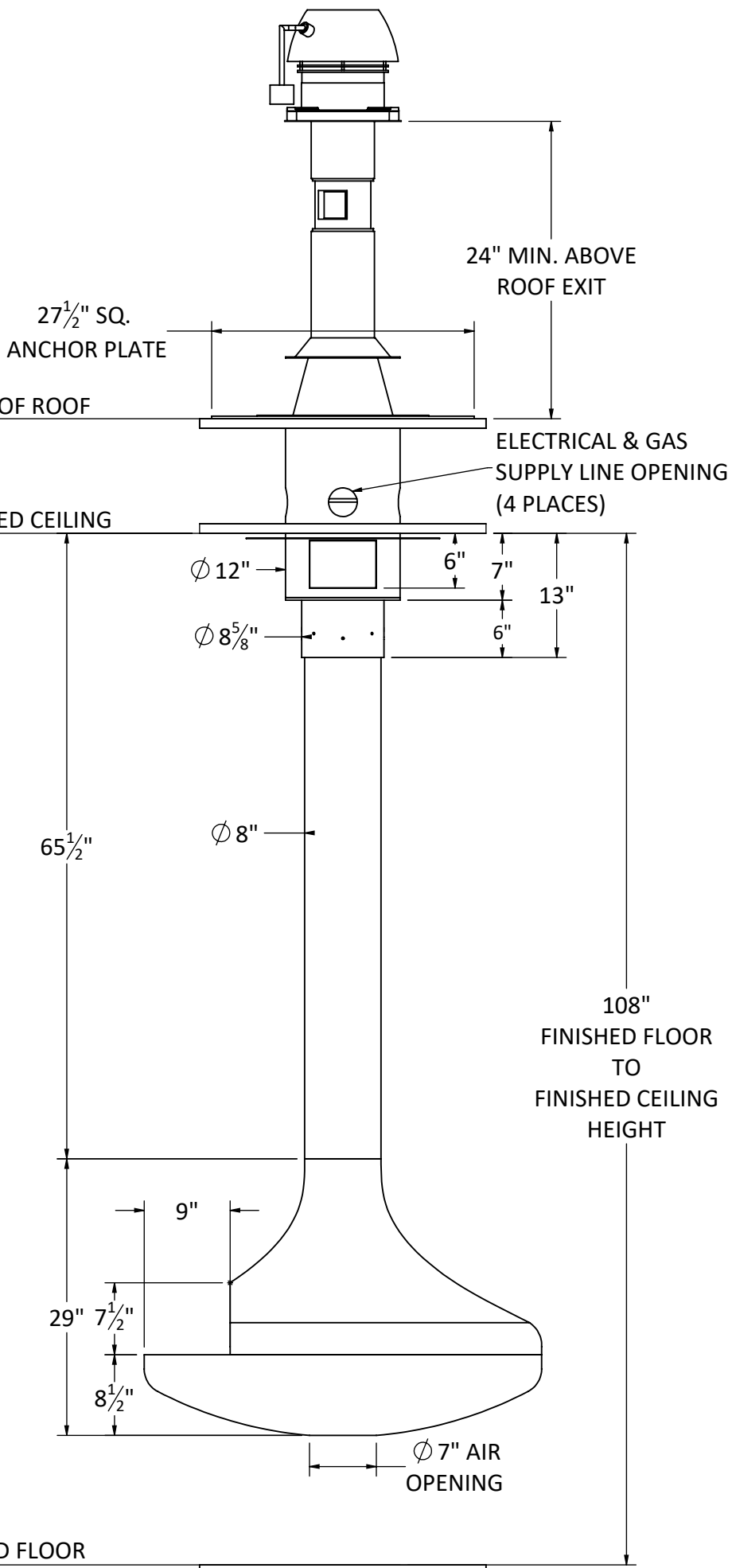
PROPRIETARY AND CONFIDENTIAL  
THE INFORMATION CONTAINED IN THIS DRAWING IS THE SOLE PROPERTY OF CUSTOM FIREPLACE DESIGN.  
ANY REPRODUCTION IN PART OR AS A WHOLE WITHOUT THE WRITTEN PERMISSION OF CUSTOM FIREPLACE DESIGN IS PROHIBITED.



**STANDARD ANCHOR PLATE- 1/4" THICK.**



**FRONT ELEVATION**



**SIDE ELEVATION**

North American Designed & Manufactured by:

**CF + D**

custom fireplace design

5230 Harvester Rd. Unit # 2 Burlington, Ontario Canada L7L 4X4  
Phone: 905 681-3070 Fax: 905 681-8697

PROJECT  
CALLISTA Single-Sided | Suspended Gas Fireplace

REV  
0

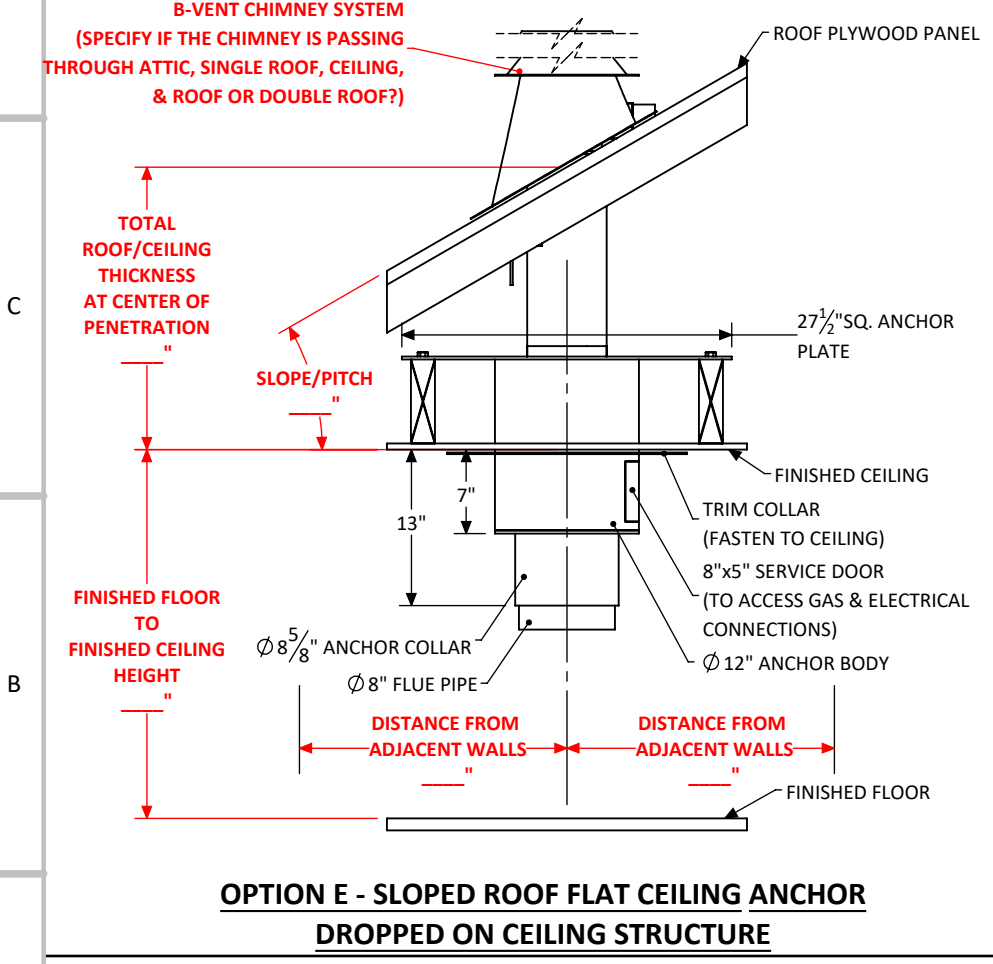
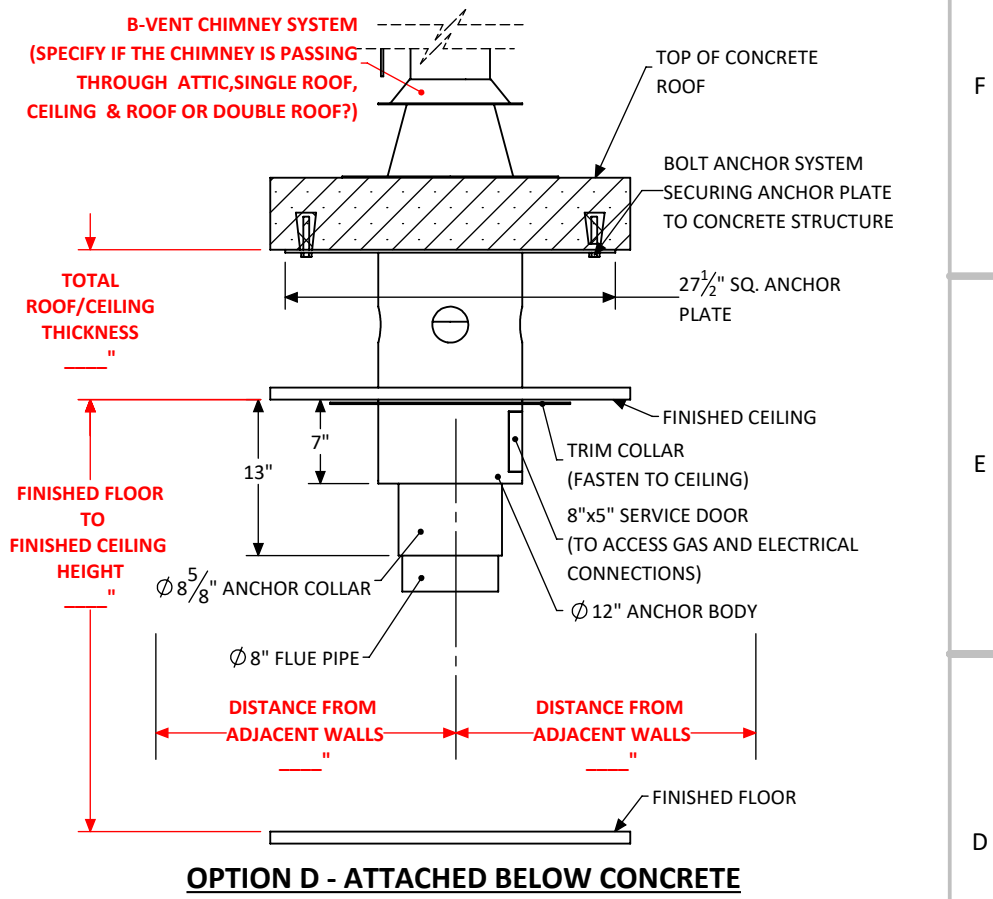
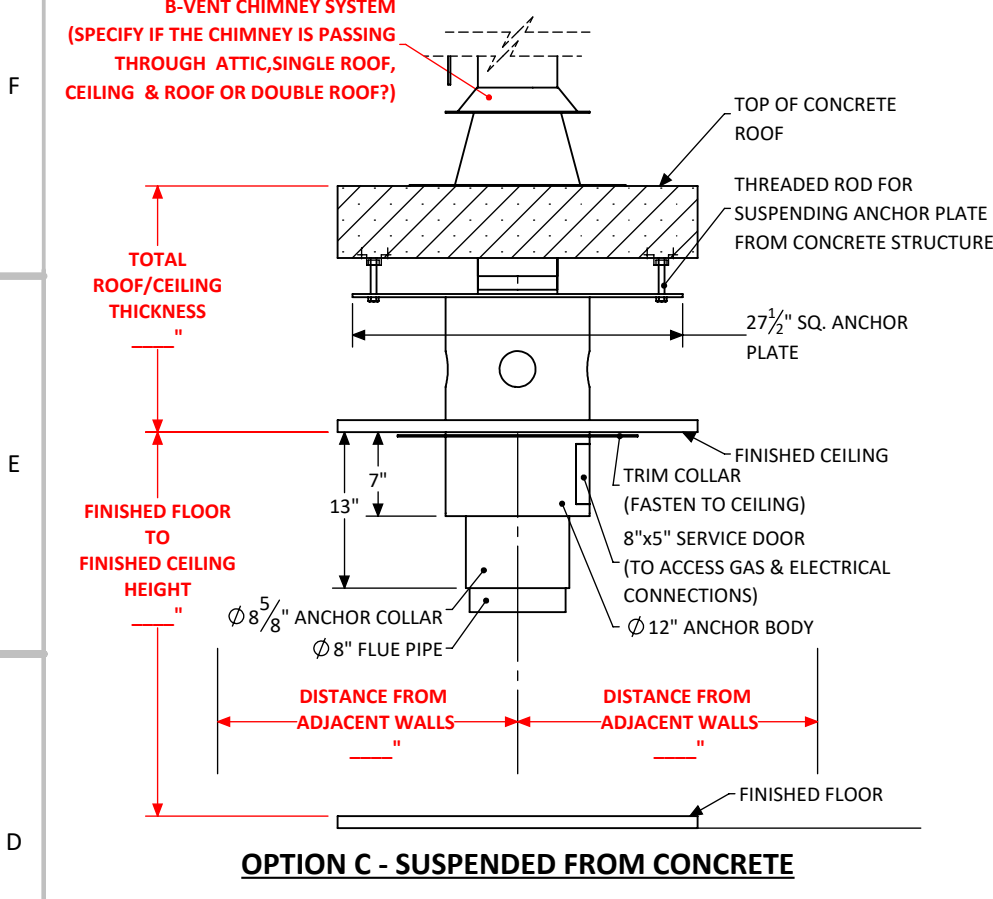
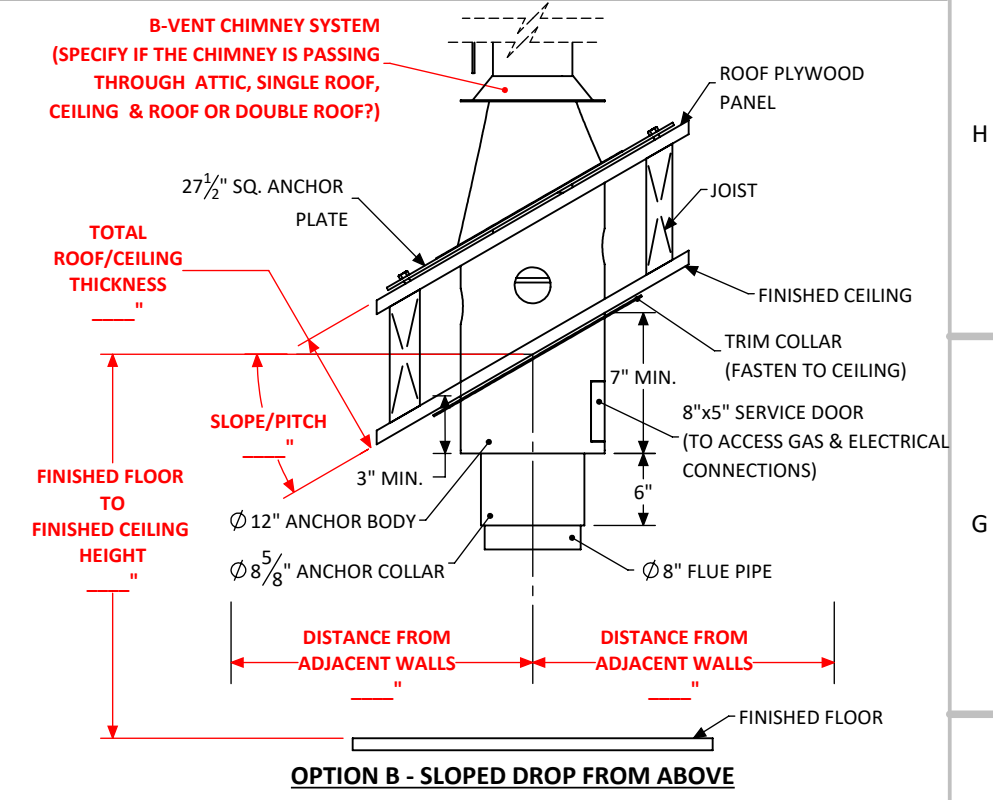
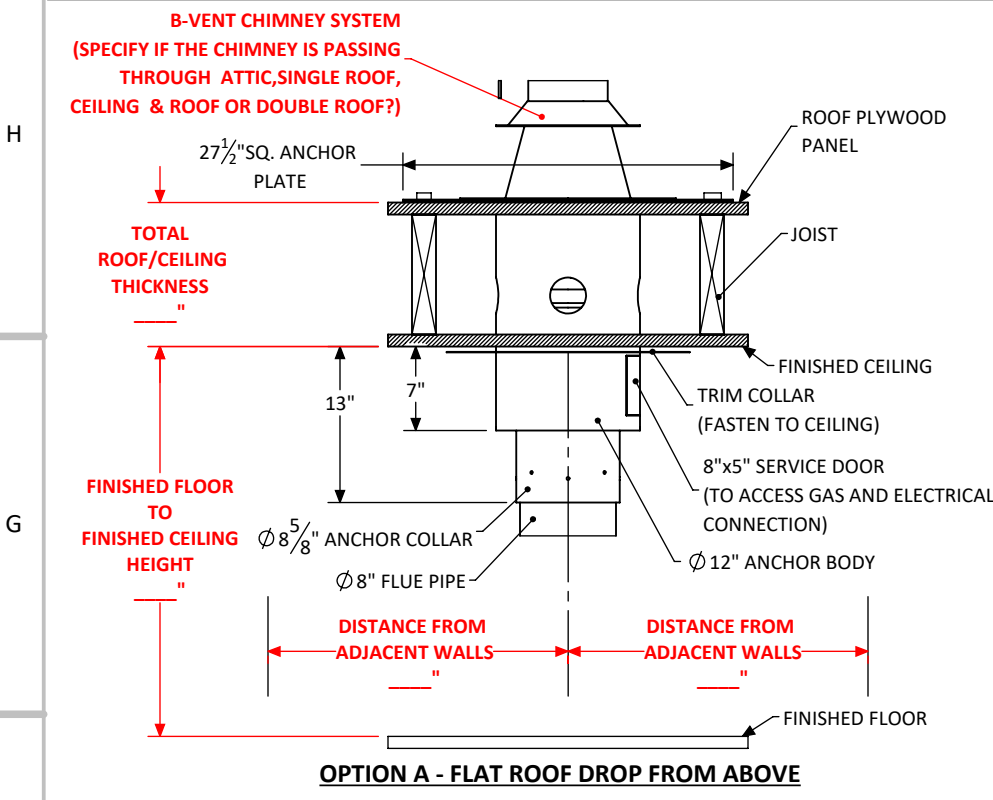
UNLESS OTHERWISE SPECIFIED  
DIMENSIONS ARE IN INCHES  
TOLERANCES:  
FRACTIONAL ± 1/16  
ANGULAR: MACH ± 1° BEND ± 0.5°  
TWO PLACE DECIMAL ± 0.01  
THREE PLACE DECIMAL ± 0.005

DESCRIPTION Specifications		DATE (mm/dd/yyyy)
NAME	DATE	
DRAWN	mpanchal	2020-06-17
CHECKED	MV	2020-06-17
APPROVED	--	NA

SIZE B SHEET 3 OF 7 DO NOT SCALE DRAWING

PROPRIETARY AND CONFIDENTIAL  
THE INFORMATION CONTAINED IN THIS DRAWING IS THE SOLE PROPERTY OF CUSTOM FIREPLACE DESIGN. ANY REPRODUCTION IN PART OR AS A WHOLE WITHOUT THE WRITTEN PERMISSION OF CUSTOM FIREPLACE DESIGN IS PROHIBITED.

**CUSTOM ANCHOR OPTIONS AVAILABLE (PLEASE FILL IN THE BLANKS AS PER SITE SPECIFIC DETAILS)**



North American Designed & Manufactured by:

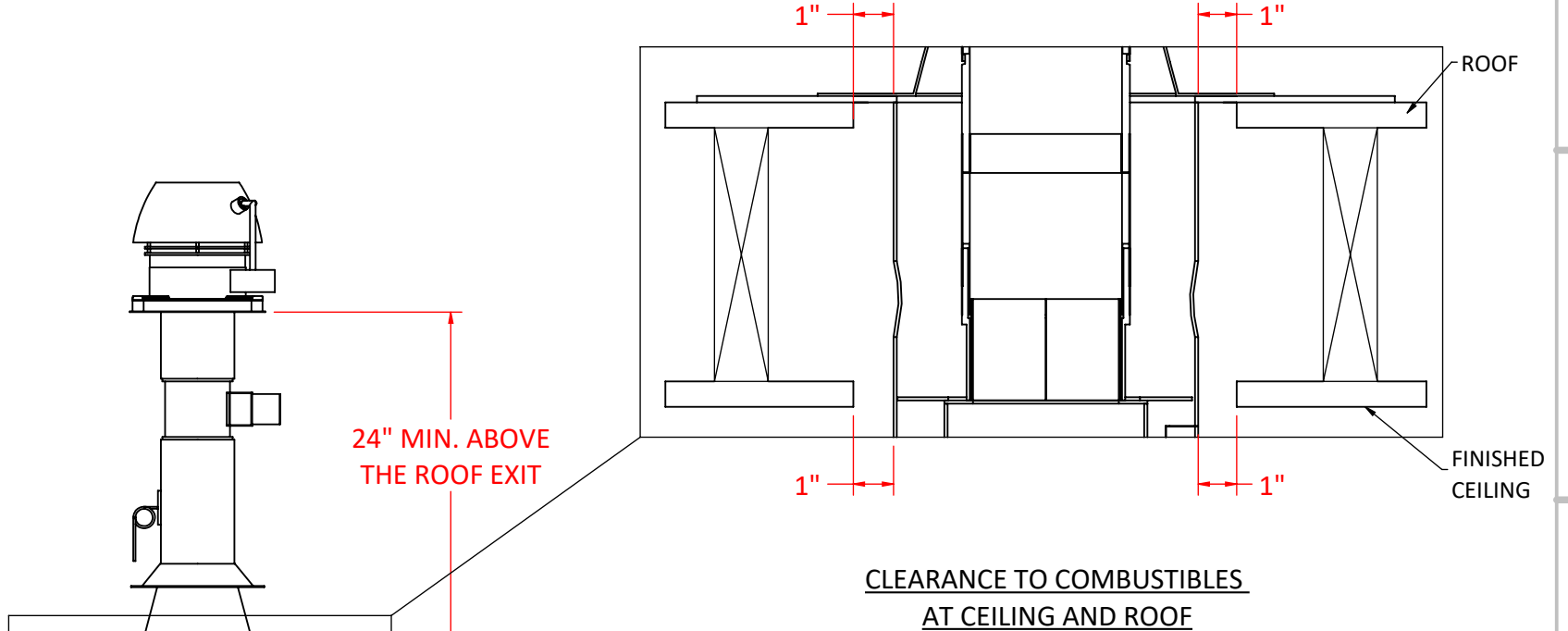
**CF + D**  
custom fireplace design

5230 Harvester Rd. Unit # 2 Burlington, Ontario Canada L7L 4X4  
Phone: 905 681-3070 Fax: 905 681-8697

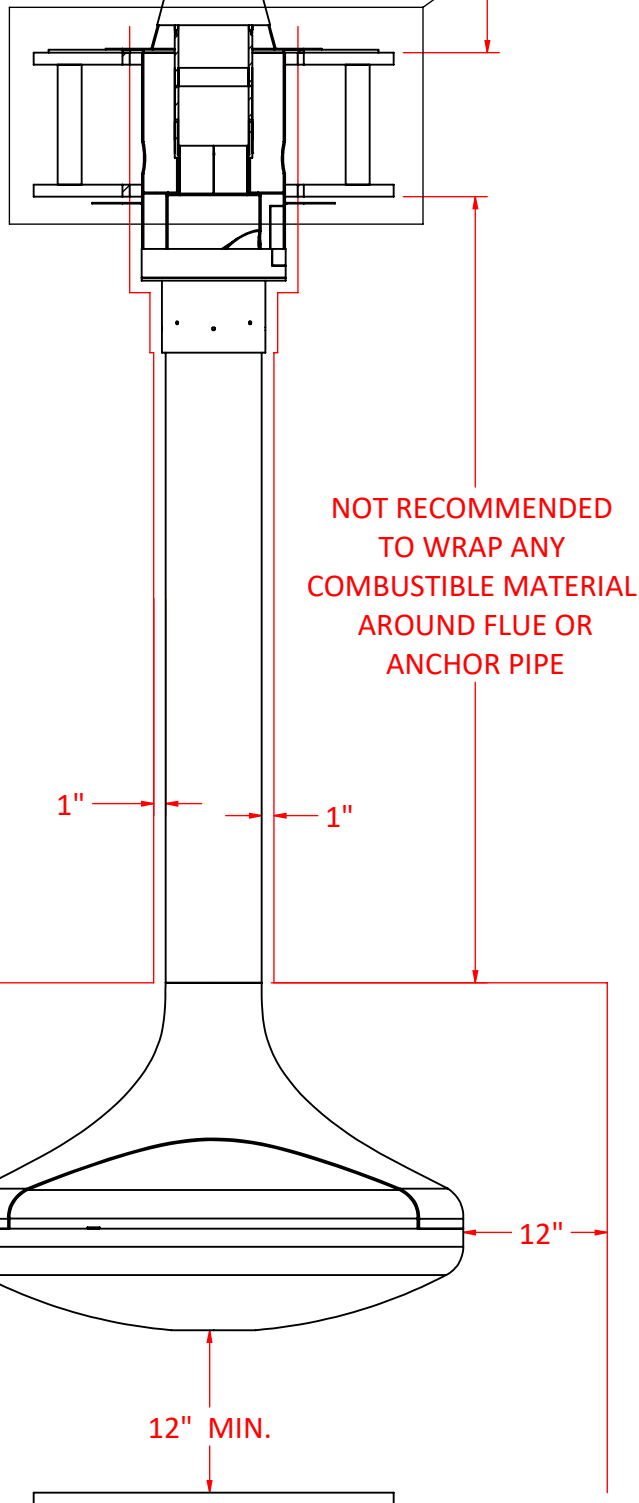
PROJECT	CALLISTA Single-Sided   Suspended Gas Fireplace	REV	0
UNLESS OTHERWISE SPECIFIED	DESCRIPTION	Anchor Options	
DIMENSIONS ARE IN INCHES		NAME	DATE (mm/dd/yyyy)
TOLERANCES:			
FRACTIONAL ± 1/16		DRAWN	pjani 2020-06-21
ANGULAR: MACH ± 1° BEND ± 0.5°		CHECKED	MV 2020-06-21
TWO PLACE DECIMAL ± 0.01			
THREE PLACE DECIMAL ± 0.005			
SIZE B SHEET 4 OF 7	DO NOT SCALE DRAWING	APPROVED	NA

PROPRIETARY AND CONFIDENTIAL  
THE INFORMATION CONTAINED IN THIS DRAWING IS THE SOLE PROPERTY OF CUSTOM FIREPLACE DESIGN. ANY REPRODUCTION IN PART OR AS A WHOLE WITHOUT THE WRITTEN PERMISSION OF CUSTOM FIREPLACE DESIGN IS PROHIBITED.

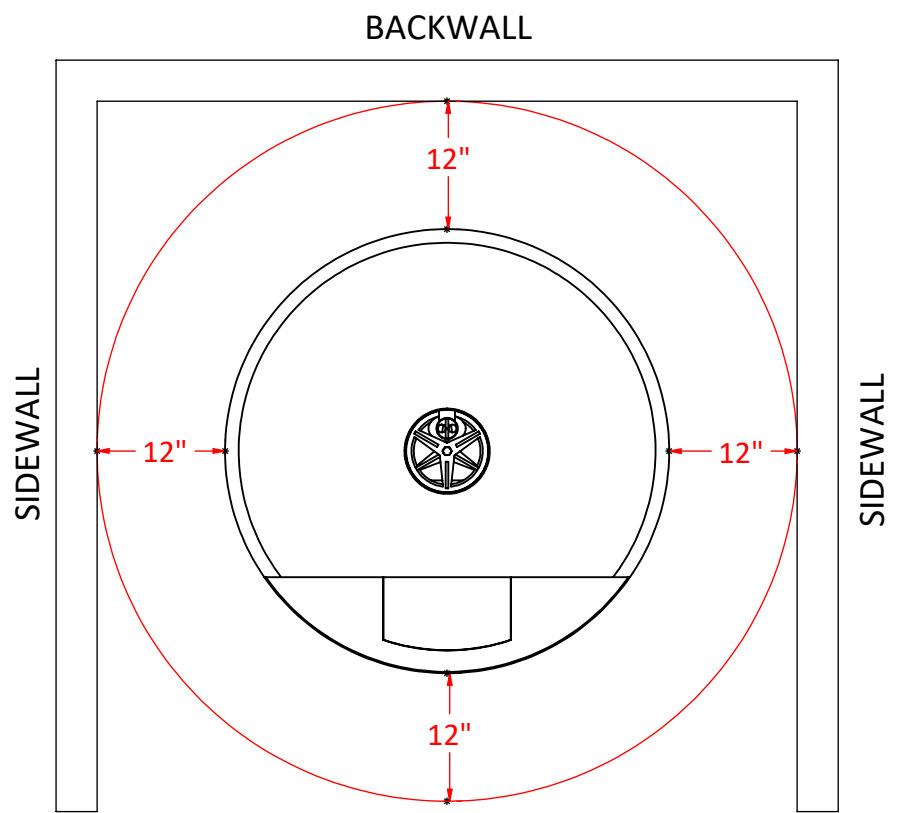
# CLEARANCE TO COMBUSTIBLES



CLEARANCE TO COMBUSTIBLES  
AT CEILING AND ROOF



FRONT ELEVATION



FRONT OF THE FIREPLACE

TOP VIEW

CLEARANCE TO COMBUSTIBLES  
AROUND FIREPLACE BODY

**CLEARANCE TO COMBUSTIBLES:**

1. 12" from floor to the bottom of the fireplace.
2. A minimum 12" distance between a combustible wall and fireplace body is required.
3. 1" where the anchor or flue crosses the ceiling & roof.

North American Designed & Manufactured by:

CF + D

custom fireplace design

5230 Harvester Rd. Unit # 2 Burlington, Ontario Canada L7L 4X4  
Phone: 905 681-3070 Fax: 905 681-8697

**PROJECT**

CALLISTA Single-Sided | Suspended Gas Fireplace

REV

0

UNLESS OTHERWISE SPECIFIED

DESCRIPTION

Clearance to Combustibles

DIMENSIONS ARE IN INCHES

TOLERANCES:

FRACTIONAL ± 1/16

ANGULAR: MACH ± 1° BEND ± 0.5°

TWO PLACE DECIMAL ± 0.01

THREE PLACE DECIMAL ± 0.005



NAME

DATE

DRAWN

mpanchal

2020-06-17

CHECKED

MV

2020-06-17

SIZE **B** SHEET 5 OF 7

DO NOT SCALE DRAWING

APPROVED

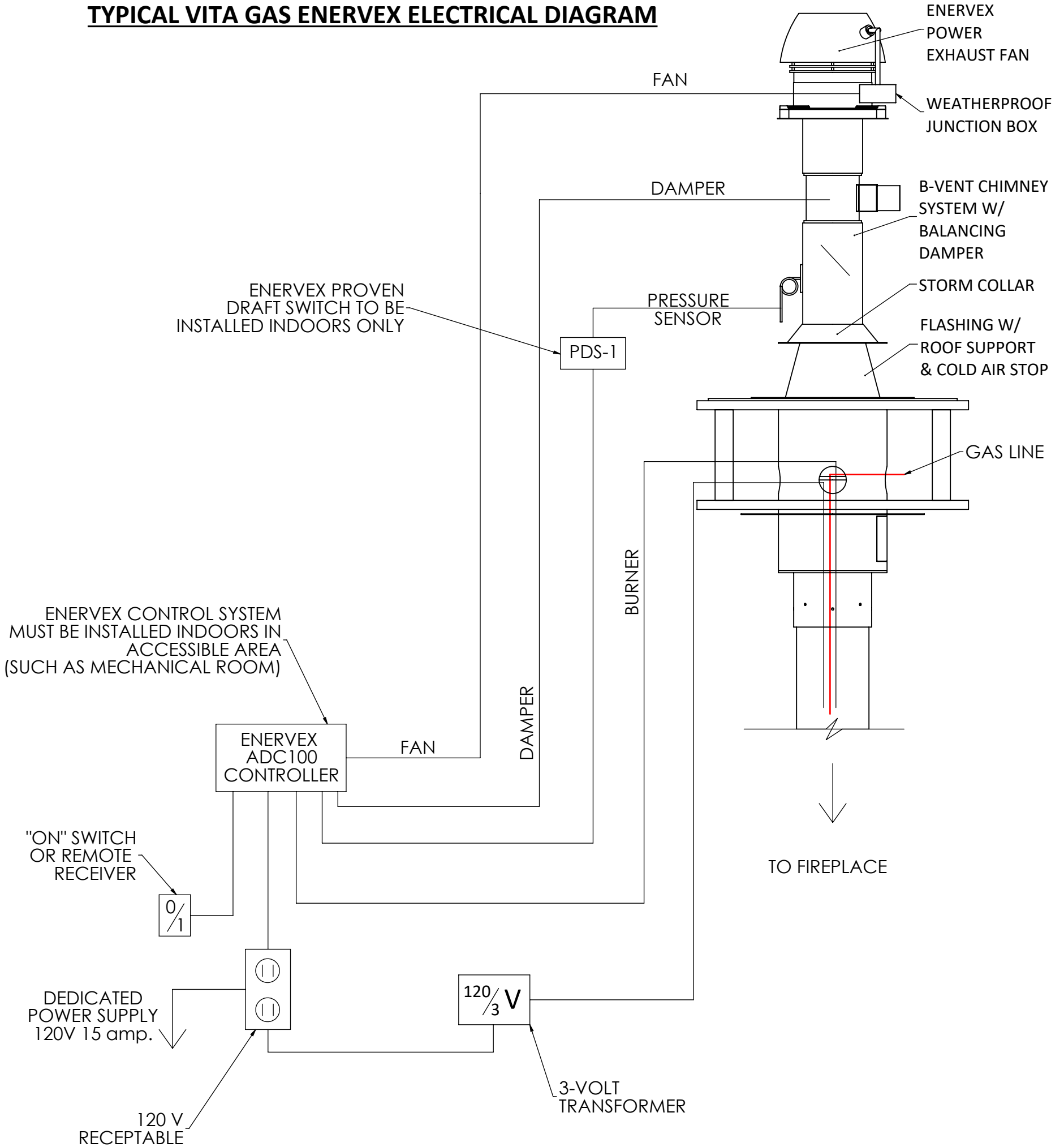
--

NA

PROPRIETARY AND CONFIDENTIAL

THE INFORMATION CONTAINED IN THIS DRAWING IS THE SOLE PROPERTY OF CUSTOM FIREPLACE DESIGN. ANY REPRODUCTION IN PART OR AS A WHOLE WITHOUT THE WRITTEN PERMISSION OF CUSTOM FIREPLACE DESIGN IS PROHIBITED.

**TYPICAL VITA GAS ENERVEX ELECTRICAL DIAGRAM**



**SCHEMATIC ENERVEX SYSTEM**  
**AS PER ENERVEX MANUALS/MEP**  
**REQUIREMENTS**

**SEE PAGE 11 OF ENERVEX ADC100**  
**MANUAL**

North American Designed & Manufactured by:

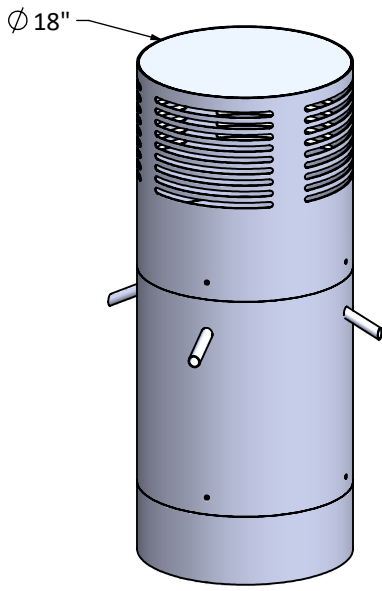


5230 Harvester Rd. Unit # 2 Burlington, Ontario Canada L7L 4X4  
 Phone: 905 681-3070 Fax: 905 681-8697

PROJECT CALLISTA Single-Sided   Suspended Gas Fireplace		REV 0
UNLESS OTHERWISE SPECIFIED		DESCRIPTION Electrical Diagram
DIMENSIONS ARE IN INCHES		NAME
TOLERANCES:		DATE (mm/dd/yyyy)
FRACTIONAL ± 1/16		DRAWN mpanchal
ANGULAR: MACH ± 1° BEND ± 0.5°		CHECKED MV
TWO PLACE DECIMAL ± 0.01		APPROVED
THREE PLACE DECIMAL ± 0.005		DATE 2020-06-17
SIZE <b>B</b> SHEET 6 OF 7	DO NOT SCALE DRAWING	APPROVED --
		DATE 2020-06-17
		DATE NA

PROPRIETARY AND CONFIDENTIAL  
 THE INFORMATION CONTAINED IN THIS DRAWING IS THE SOLE PROPERTY OF CUSTOM FIREPLACE DESIGN.  
 ANY REPRODUCTION IN PART OR AS A WHOLE WITHOUT THE WRITTEN PERMISSION OF CUSTOM FIREPLACE DESIGN IS PROHIBITED.

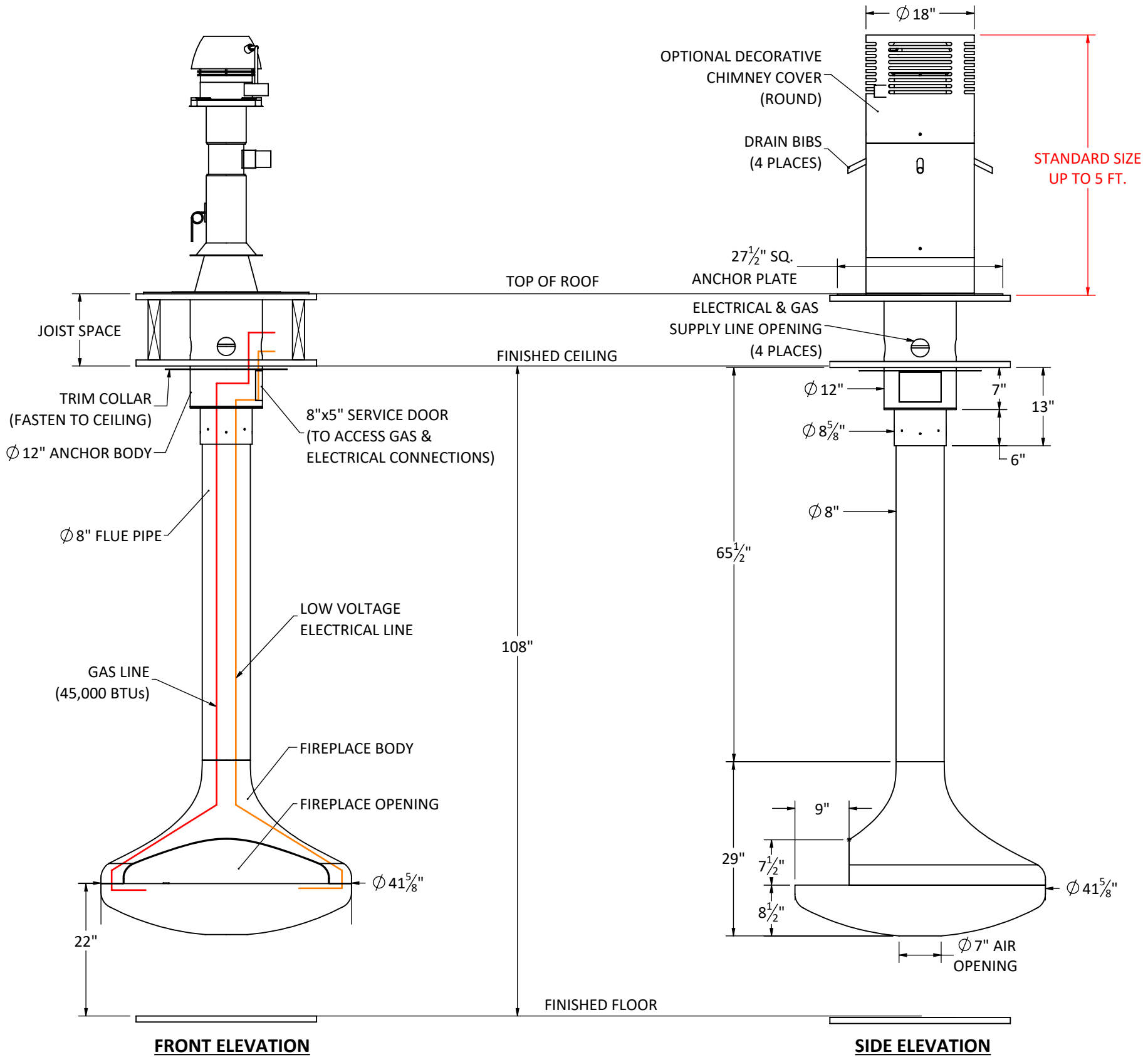
# OPTIONAL DECORATIVE CHIMNEY COVER (ROUND)



(STANDARD SIZE UP TO 5 FT.)

WITHOUT DECORATIVE CHIMNEY COVER

WITH DECORATIVE CHIMNEY COVER



Shown with Standard 9 ft. Flat Ceiling Application & Gas Burner Custom Lengths & Anchor Options Available

North American Designed & Manufactured by:



5230 Harvester Rd. Unit # 2 Burlington, Ontario Canada L7L 4X4  
Phone: 905 681-3070 Fax: 905 681-8697

PROJECT

CALLISTA Single-Sided | Suspended Gas Fireplace

REV

0

UNLESS OTHERWISE SPECIFIED

DESCRIPTION

Decorative Cover

DIMENSIONS ARE IN INCHES

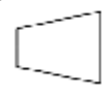
TOLERANCES:

FRACTIONAL ± 1/16

ANGULAR: MACH ± 1° BEND ± 0.5°

TWO PLACE DECIMAL ± 0.01

THREE PLACE DECIMAL ± 0.005



	NAME	DATE (mm/dd/yyyy)
DRAWN	mpanchal	2020-06-17
CHECKED	MV	2020-06-17
APPROVED	--	NA

SIZE B SHEET 7 OF 7 DO NOT SCALE DRAWING

PROPRIETARY AND CONFIDENTIAL

THE INFORMATION CONTAINED IN THIS DRAWING IS THE SOLE PROPERTY OF CUSTOM FIREPLACE DESIGN. ANY REPRODUCTION IN PART OR AS A WHOLE WITHOUT THE WRITTEN PERMISSION OF CUSTOM FIREPLACE DESIGN IS PROHIBITED.