

VITA | Fireplaces

North American Designed & Manufactured by **CF + D** | custom fireplace design



GIOIA See-Thru | Suspended Gas Fireplace



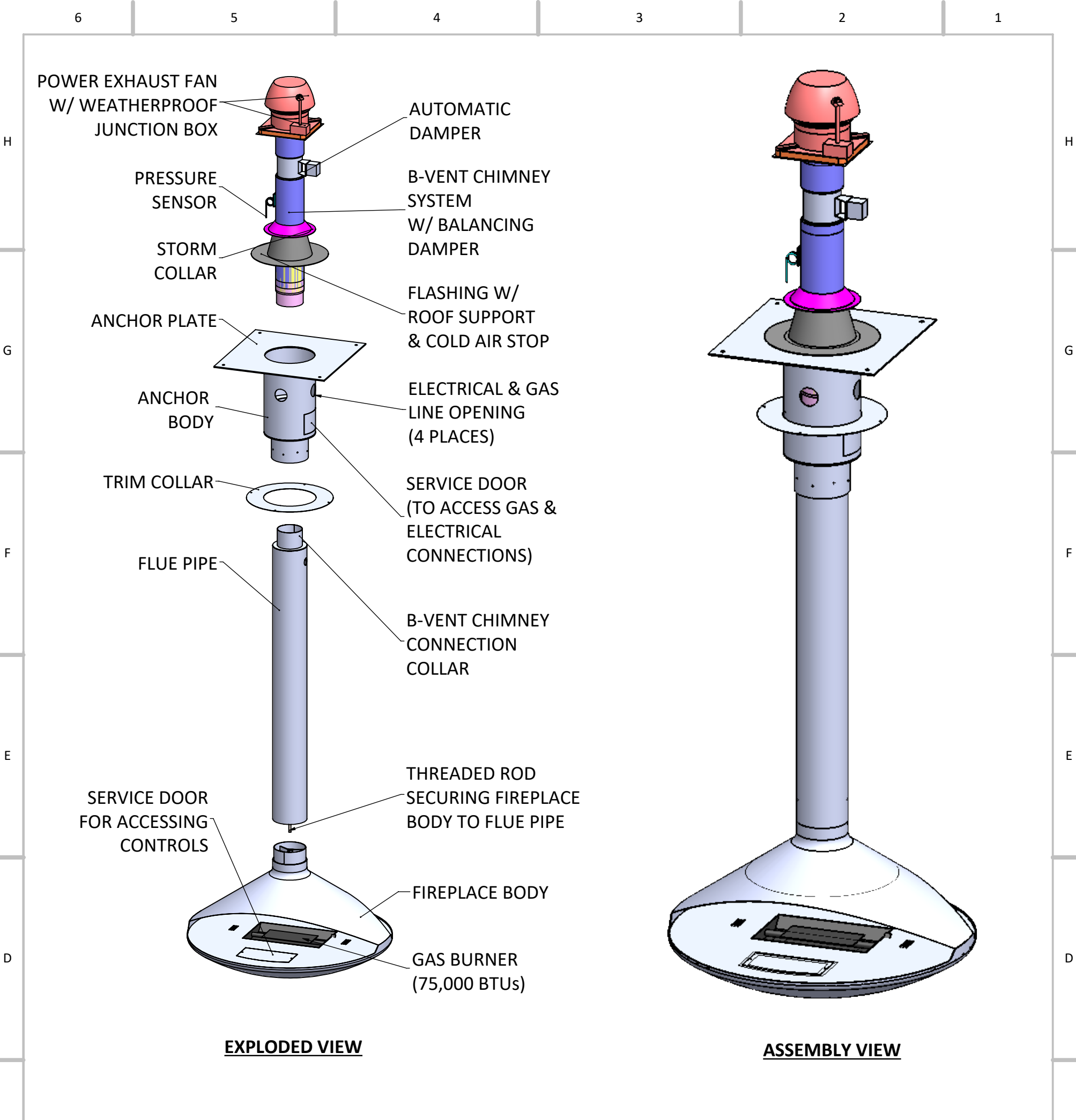
Fireplaces have been tested and proved to comply with ANSI Z21.50/CSA 2.22 Vented Gas Fireplace. Certified under: ICC-ES PMG-1290

PRODUCT LAYOUT PACKAGE (VERTICAL TERMINATION)

2020-06-18

CF + D | custom fireplace design

www.customfireplacedesign.com



GIOIA See-Thru | Suspended Gas Fireplace Product Information

- Fireplaces have been tested and proved to comply with ANSI Z21.50/CSA 2.22 Vented Gas Fireplace. Certified under: ICC-ES PMG-1290.
- Natural Gas or Propane fueled.
- Natural Gas Burner: approx. 75,000 BTUs.
- Propane Burner: approx. 60,000 BTUs.
- 120 Volt 15 Amp required for venting.
- Gas & Electrical connections to be completed on-site at service door.
- 6" ID B-Vent chimney system required.
- All standard fireplaces painted in factory matte black finish. Custom colors and patina finishes available.
- Switch operation on wall (not included).
- All dimensions are in inches.
- Exact measurements may vary $\pm 1/4"$.
- Optional decorative chimney cover available at add'l cost.

- Custom anchor options available at add'l cost.
- Enervex Intelli Draft and Damper System.
- The height of the chimney vent must extend a minimum of 2 ft. above the roof exit.

STANDARD PRODUCT WEIGHTS

SR. NO.	COMPONENT REFERENCE	WEIGHT
1	ANCHOR (ϕ 12"x25" Long)	85 lbs. approx.
2	FLUE (ϕ 8"x67" Long)	60 lbs. approx.
3	FIREPLACE BODY	255 lbs. approx.
TOTAL FIREPLACE WEIGHT (FOR 9 FT. CEILING APPLICATION)		400 lbs. approx.

*Each add'l. 1 ft. of flue pipe weighs : approx. 11 lbs.
*Each add'l. 1 ft. of anchor pipe weighs : approx. 17 lbs.

North American Designed & Manufactured by:



5230 Harvester Rd. Unit # 2 Burlington, Ontario Canada L7L 4X4
Phone: 905 681-3070 Fax: 905 681-8697

PROJECT GIOIA See-Thru Suspended Gas Fireplace		REV 0
UNLESS OTHERWISE SPECIFIED		DESCRIPTION Assembly View
DIMENSIONS ARE IN INCHES TOLERANCES: FRACTIONAL $\pm 1/16$ ANGULAR: MACH $\pm 1^\circ$ BEND $\pm 0.5^\circ$ TWO PLACE DECIMAL ± 0.01 THREE PLACE DECIMAL ± 0.005		NAME DATE (mm/dd/yyyy)
DRAWN	mpanchal	2020-06-18
CHECKED	MV	2020-06-18
APPROVED	--	NA

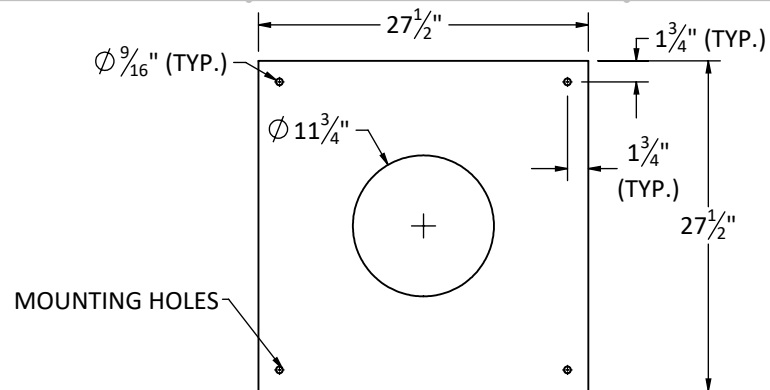
SIZE B SHEET 2 OF 7 DO NOT SCALE DRAWING

PROPRIETARY AND CONFIDENTIAL
THE INFORMATION CONTAINED IN THIS DRAWING IS THE SOLE PROPERTY OF CUSTOM FIREPLACE DESIGN. ANY REPRODUCTION IN PART OR AS A WHOLE WITHOUT THE WRITTEN PERMISSION OF CUSTOM FIREPLACE DESIGN IS PROHIBITED.

6 5 4 3 2 1

H

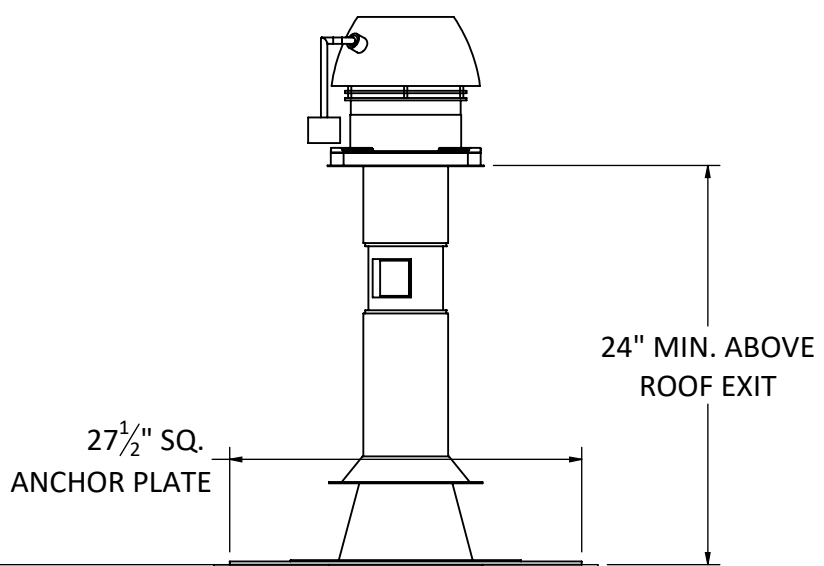
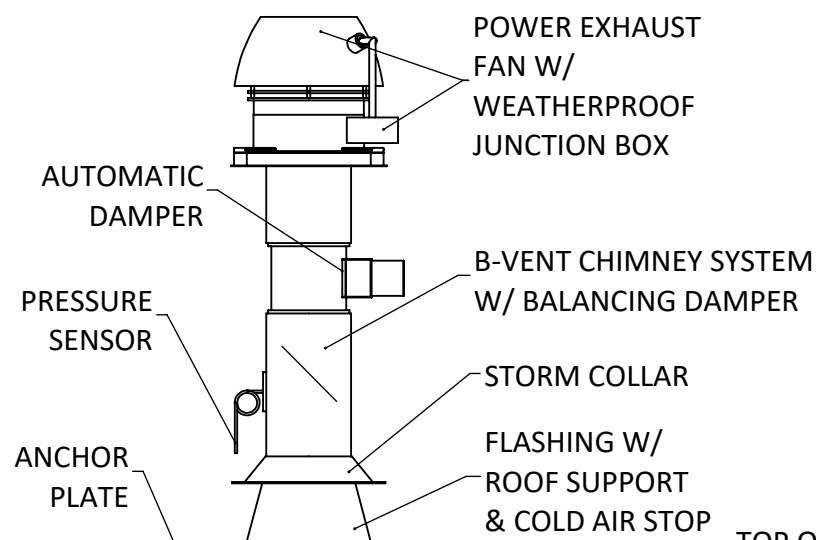
H



STANDARD ANCHOR PLATE- 1/4" THICK.

G

G



F

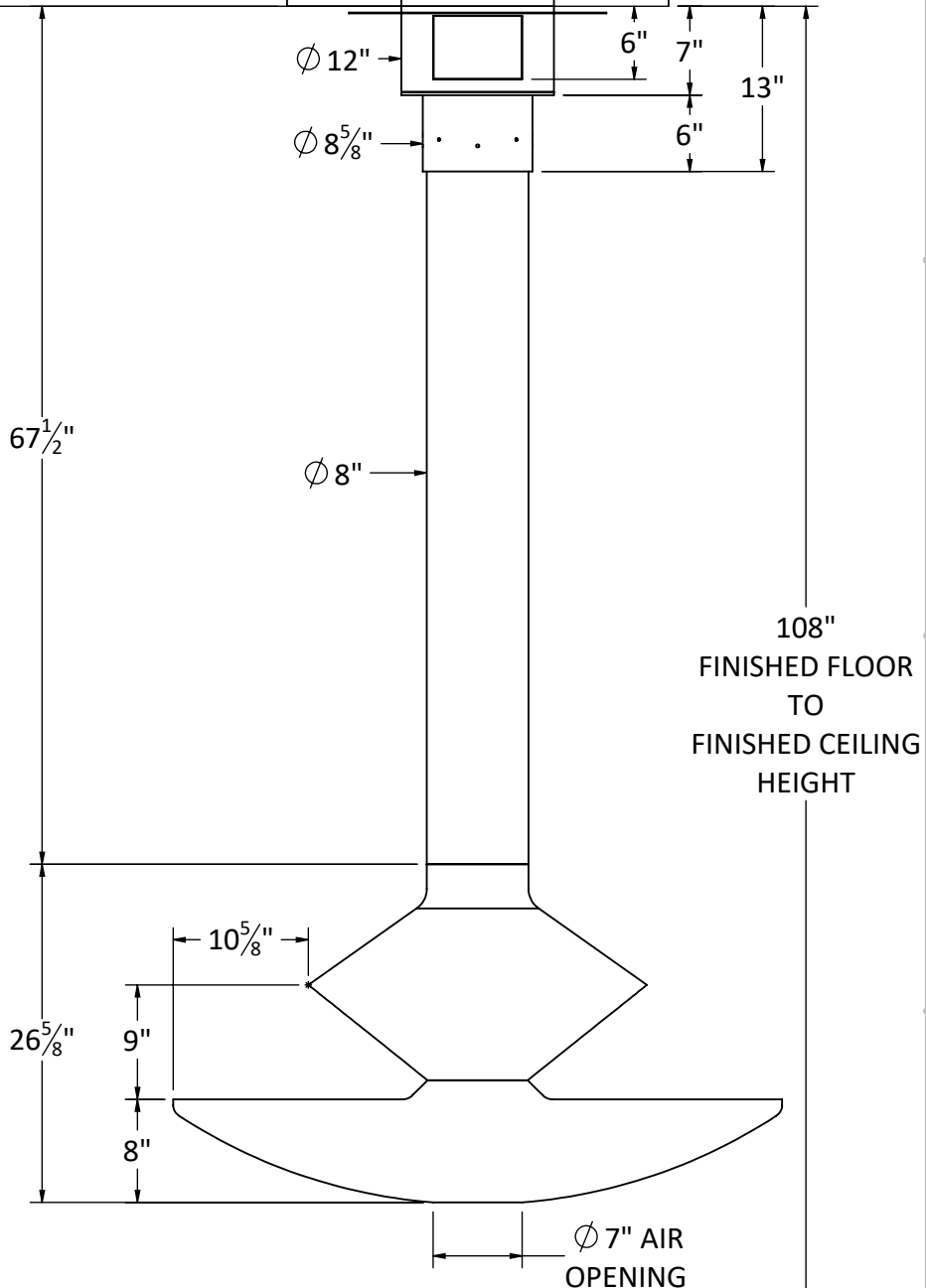
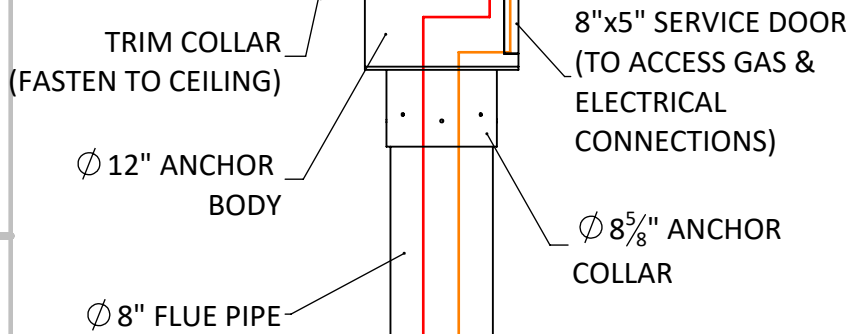
F

JOIST SPACE

FINISHED CEILING

E

E



D

D

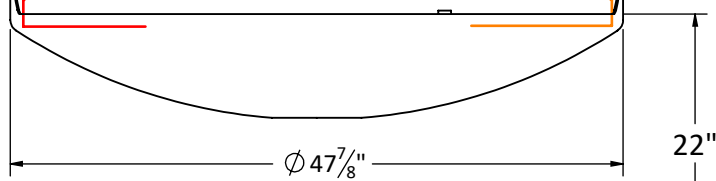
67 1/2"

C

C

B

B



FRONT ELEVATION

SIDE ELEVATION

FINISHED FLOOR

North American Designed & Manufactured by:

CF + D

custom fireplace design

5230 Harvester Rd. Unit # 2 Burlington, Ontario Canada L7L 4X4
Phone: 905 681-3070 Fax: 905 681-8697

PROJECT
GIOIA See-Thru | Suspended Gas Fireplace

REV
0

UNLESS OTHERWISE SPECIFIED

DESCRIPTION
Specifications

DIMENSIONS ARE IN INCHES
TOLERANCES:
FRACTIONAL ± 1/16
ANGULAR: MACH ± 1° BEND ± 0.5°
TWO PLACE DECIMAL ± 0.01
THREE PLACE DECIMAL ± 0.005



	NAME	DATE (mm/dd/yyyy)
DRAWN	mpanchal	2020-06-18
CHECKED	MV	2020-06-18

SIZE B SHEET 3 OF 7 DO NOT SCALE DRAWING

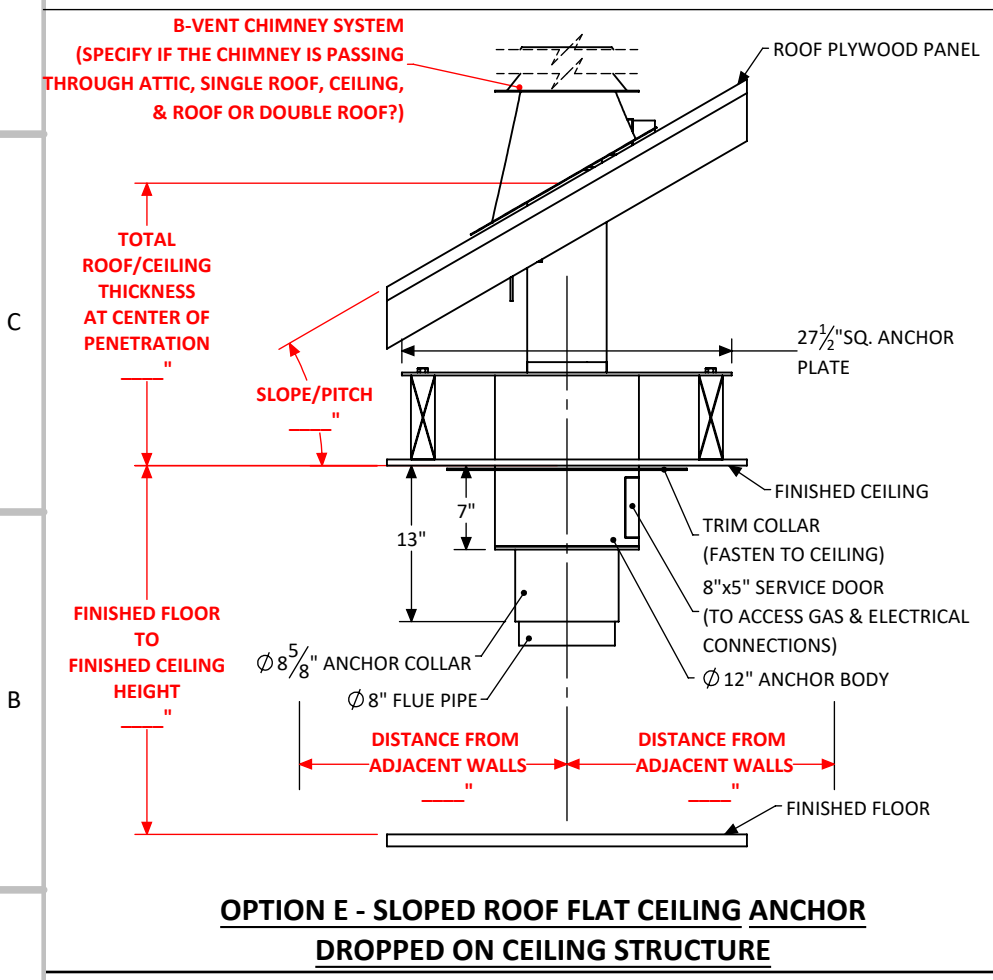
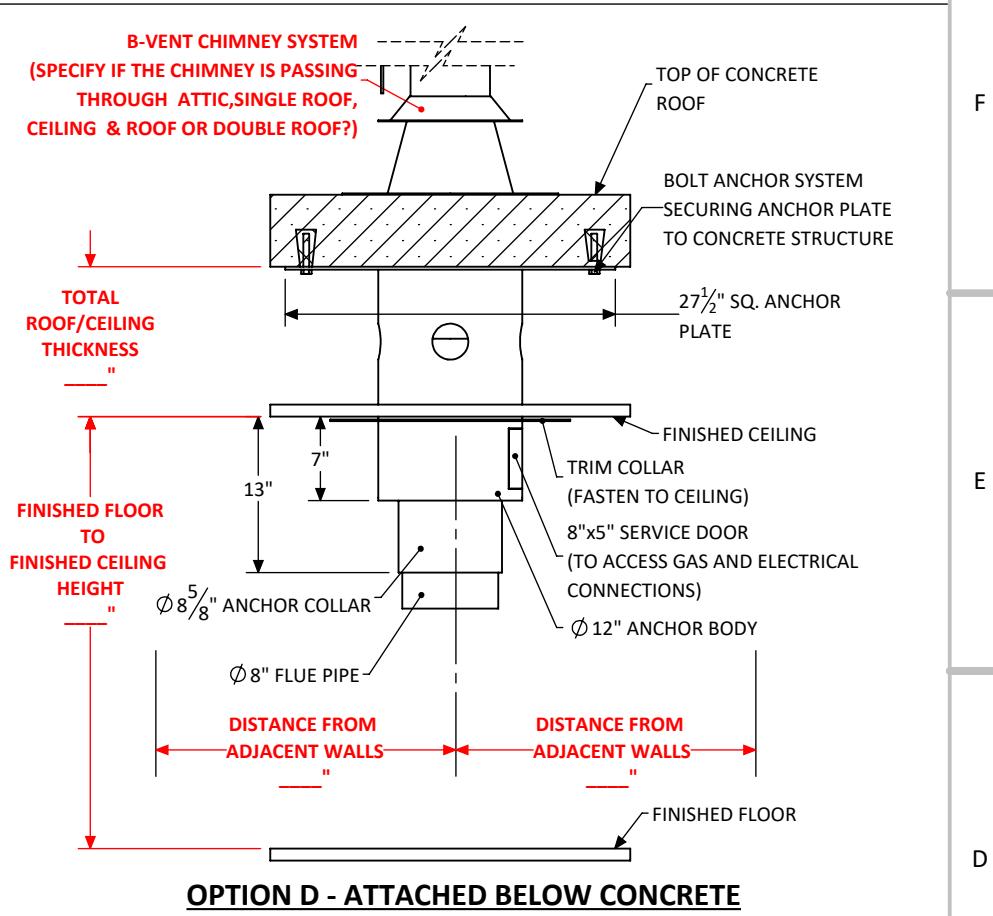
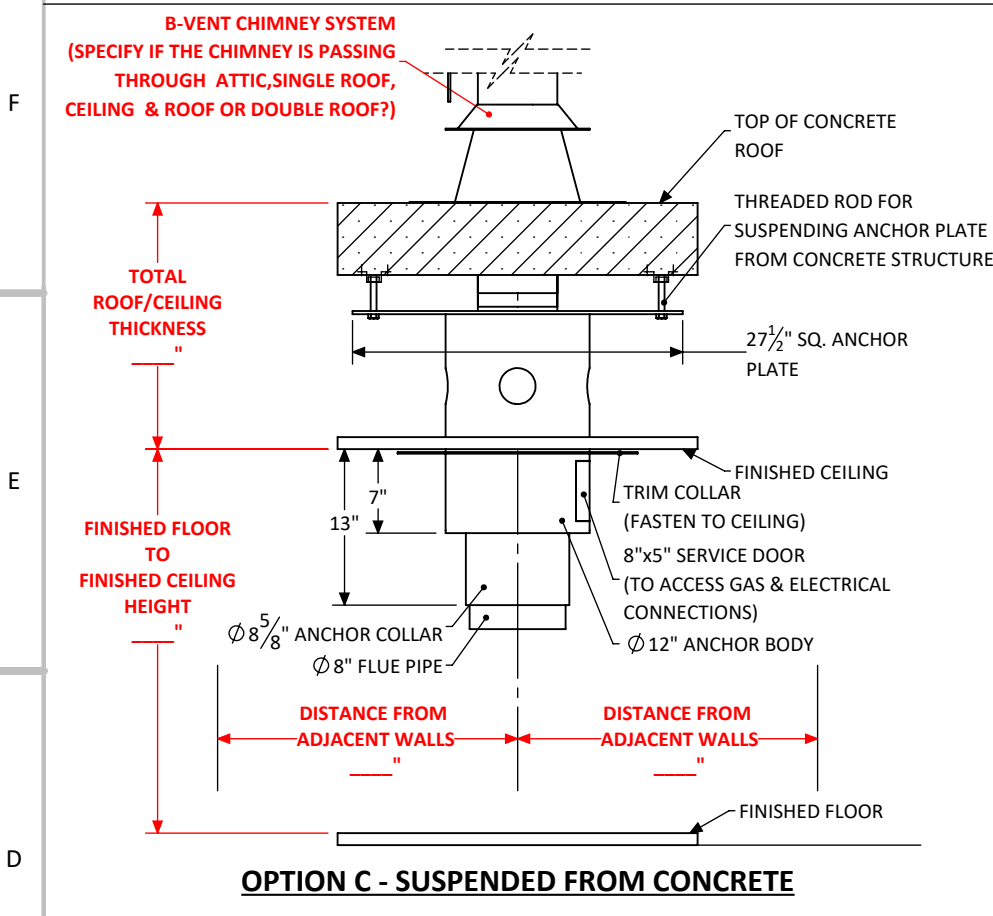
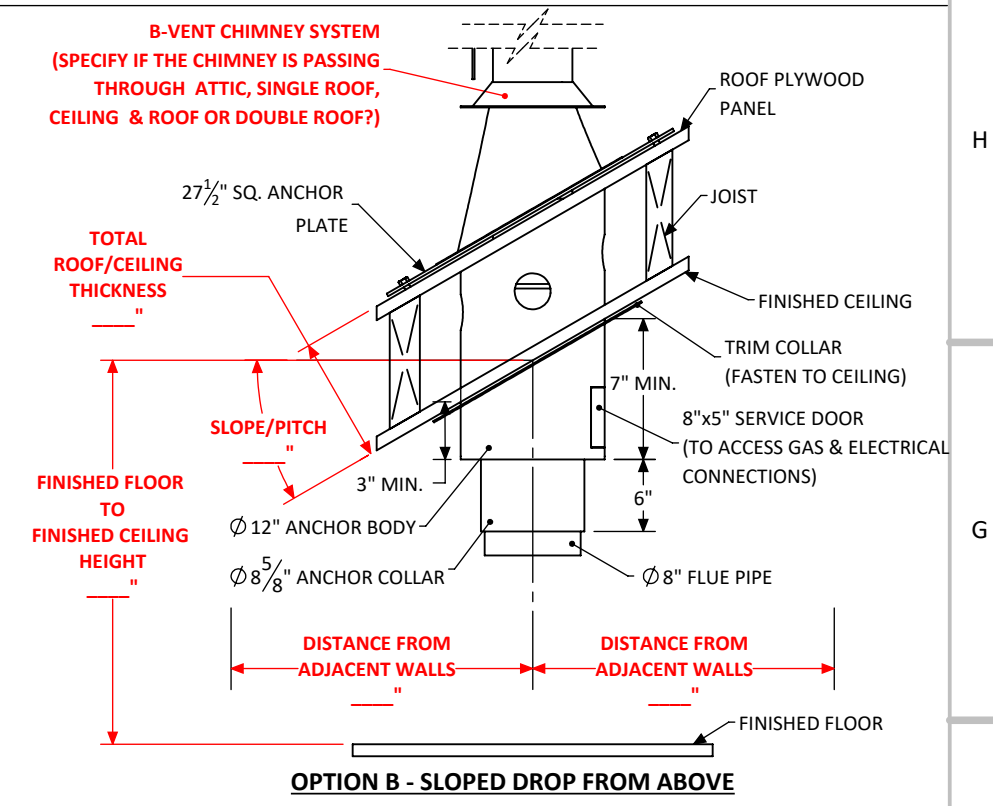
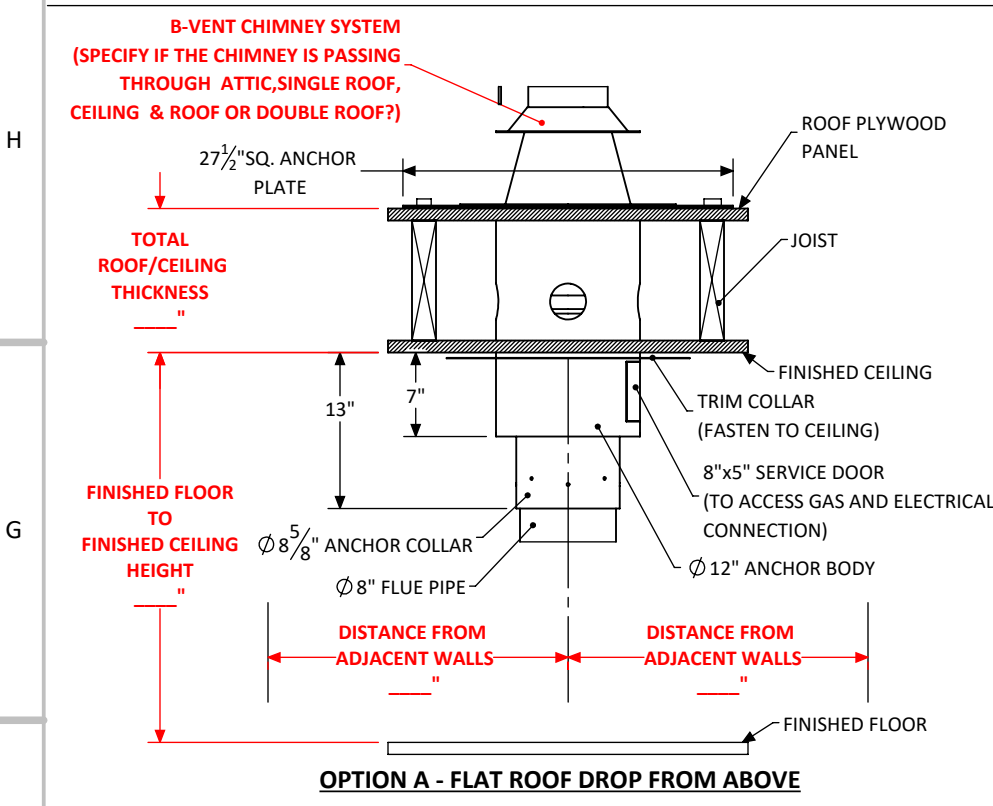
APPROVED
--
NA

PROPRIETARY AND CONFIDENTIAL

THE INFORMATION CONTAINED IN THIS DRAWING IS THE SOLE PROPERTY OF CUSTOM FIREPLACE DESIGN. ANY REPRODUCTION IN PART OR AS A WHOLE WITHOUT THE WRITTEN PERMISSION OF CUSTOM FIREPLACE DESIGN IS PROHIBITED.

6 5 4 3 2 1

CUSTOM ANCHOR OPTIONS AVAILABLE (PLEASE FILL IN THE BLANKS AS PER SITE SPECIFIC DETAILS)



North American Designed & Manufactured by:

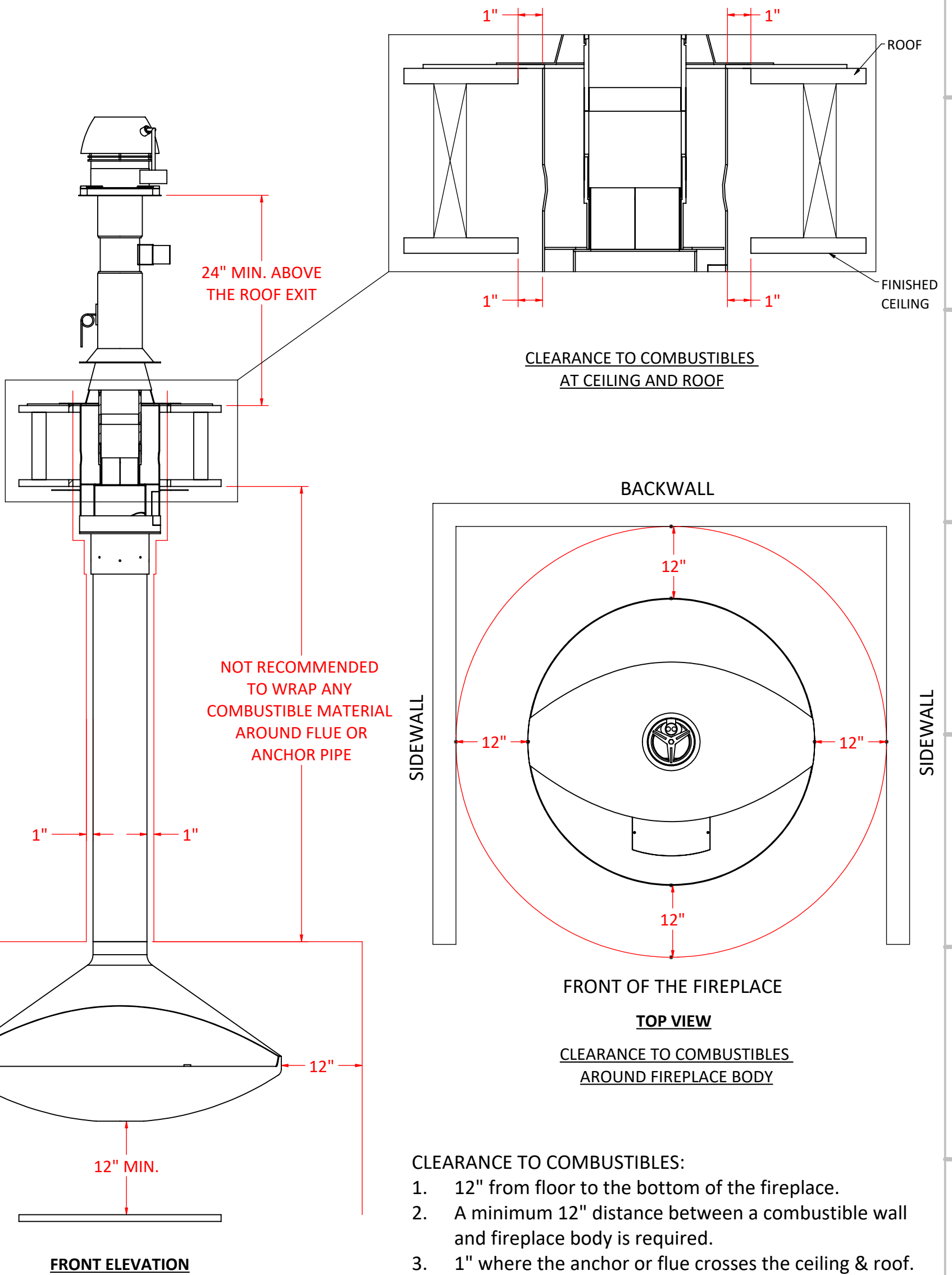
CF + D
custom fireplace design

5230 Harvester Rd. Unit # 2 Burlington, Ontario Canada L7L 4X4
Phone: 905 681-3070 Fax: 905 681-8697

PROJECT	GIOIA See-Through Suspended Gas Fireplace		REV	0
UNLESS OTHERWISE SPECIFIED	DESCRIPTION		Anchor Options	
DIMENSIONS ARE IN INCHES	DRAWN		NAME	DATE
TOLERANCES:	CHECKED		MV	2020-06-21
FRACTIONAL ± 1/16	APPROVED		--	NA
ANGULAR: MACH ± 1° BEND ± 0.5°	SIZE B SHEET 4 OF 7		DO NOT SCALE DRAWING	
TWO PLACE DECIMAL ± 0.01				
THREE PLACE DECIMAL ± 0.005				

PROPRIETARY AND CONFIDENTIAL
THE INFORMATION CONTAINED IN THIS DRAWING IS THE SOLE PROPERTY OF CUSTOM FIREPLACE DESIGN. ANY REPRODUCTION IN PART OR AS A WHOLE WITHOUT THE WRITTEN PERMISSION OF CUSTOM FIREPLACE DESIGN IS PROHIBITED.

CLEARANCE TO COMBUSTIBLES



- CLEARANCE TO COMBUSTIBLES:**
1. 12" from floor to the bottom of the fireplace.
 2. A minimum 12" distance between a combustible wall and fireplace body is required.
 3. 1" where the anchor or flue crosses the ceiling & roof.

North American Designed & Manufactured by:

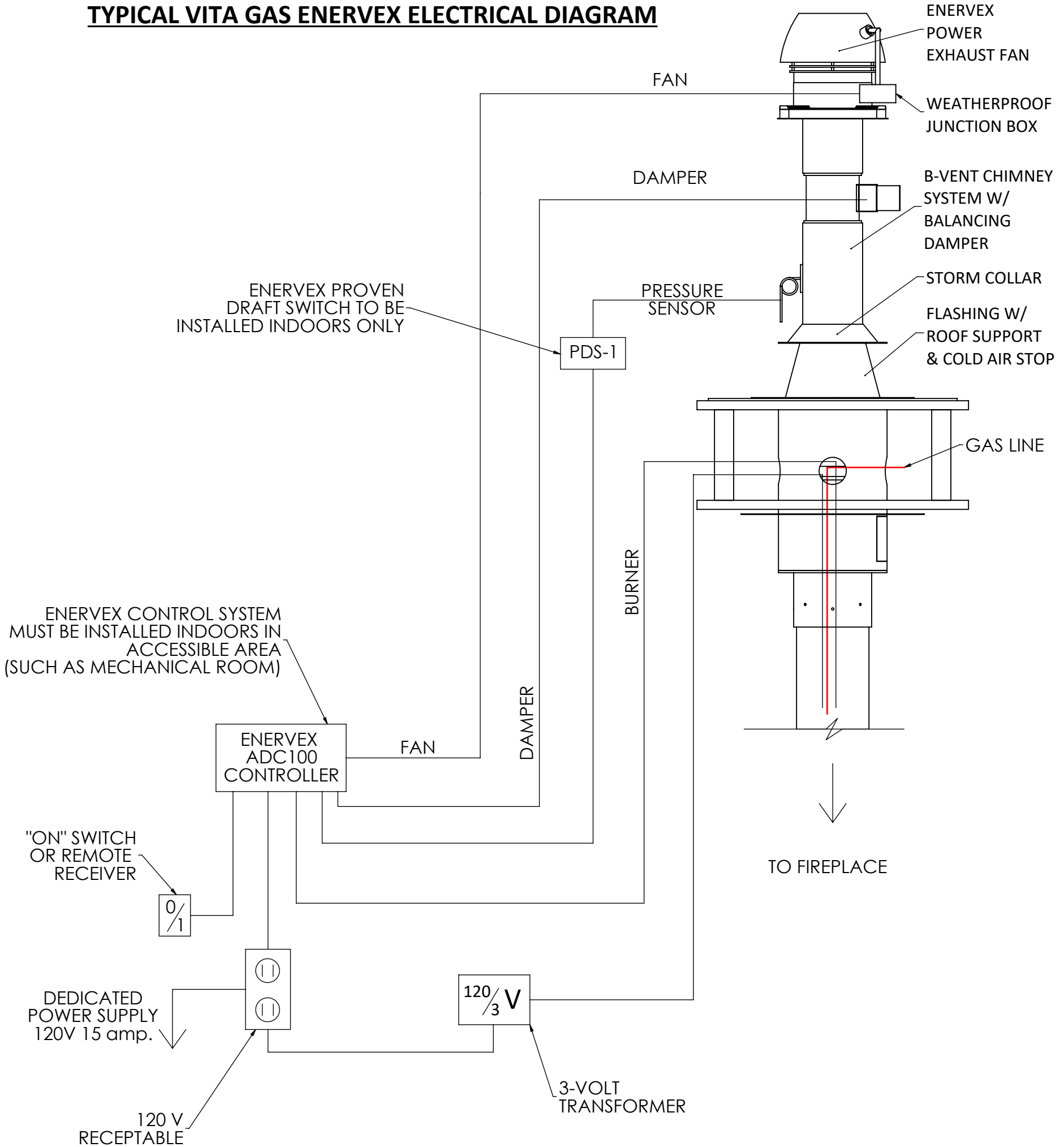


5230 Harvester Rd. Unit # 2 Burlington, Ontario Canada L7L 4X4
 Phone: 905 681-3070 Fax: 905 681-8697

PROJECT		REV
GIOIA See-Thru Suspended Gas Fireplace		0
UNLESS OTHERWISE SPECIFIED		DESCRIPTION
DIMENSIONS ARE IN INCHES		Clearance to Combustibles
TOLERANCES:		
FRACTIONAL ± 1/16		NAME
ANGULAR: MACH ± 1° BEND ± 0.5°		DATE
TWO PLACE DECIMAL ± 0.01		(mm/dd/yyyy)
THREE PLACE DECIMAL ± 0.005		DRAWN
SIZE B SHEET 5 OF 7 DO NOT SCALE DRAWING		CHECKED
		APPROVED
		NAME
		DATE
		2020-06-18
		2020-06-18
		NA

PROPRIETARY AND CONFIDENTIAL
 THE INFORMATION CONTAINED IN THIS DRAWING IS THE SOLE PROPERTY OF CUSTOM FIREPLACE DESIGN.
 ANY REPRODUCTION IN PART OR AS A WHOLE WITHOUT THE WRITTEN PERMISSION OF CUSTOM FIREPLACE DESIGN IS PROHIBITED.

TYPICAL VITA GAS ENERVEX ELECTRICAL DIAGRAM



SCHEMATIC ENERVEX SYSTEM
AS PER ENERVEX MANUALS/MEP
REQUIREMENTS

SEE PAGE 11 OF ENERVEX ADC100
MANUAL

North American Designed & Manufactured by:



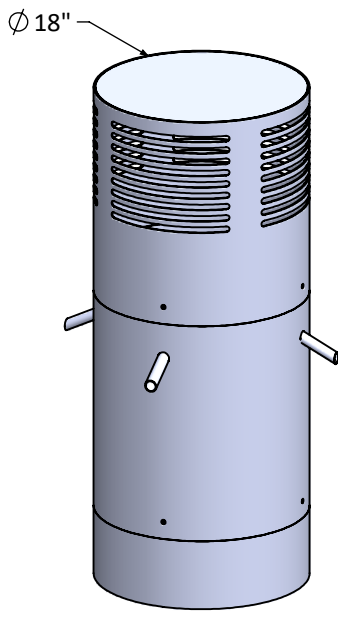
5230 Harvester Rd. Unit # 2 Burlington, Ontario Canada L7L 4X4
 Phone: 905 681-3070 Fax: 905 681-8697

PROJECT GIOIA See-Thru Suspended Gas Fireplace		REV 0
UNLESS OTHERWISE SPECIFIED		DESCRIPTION Electrical Diagram
DIMENSIONS ARE IN INCHES		
TOLERANCES:		
FRACTIONAL ± 1/16		
ANGULAR: MACH ± 1° BEND ± 0.5°		
TWO PLACE DECIMAL ± 0.01		
THREE PLACE DECIMAL ± 0.005		
DRAWN	NAME mpanchal	DATE (mm/dd/yyyy) 2020-06-18
CHECKED	MV	2020-06-18
APPROVED	--	NA

SIZE B SHEET 6 OF 7 DO NOT SCALE DRAWING

PROPRIETARY AND CONFIDENTIAL
 THE INFORMATION CONTAINED IN THIS DRAWING IS THE SOLE PROPERTY OF CUSTOM FIREPLACE DESIGN.
 ANY REPRODUCTION IN PART OR AS A WHOLE WITHOUT THE WRITTEN PERMISSION OF CUSTOM FIREPLACE DESIGN IS PROHIBITED.

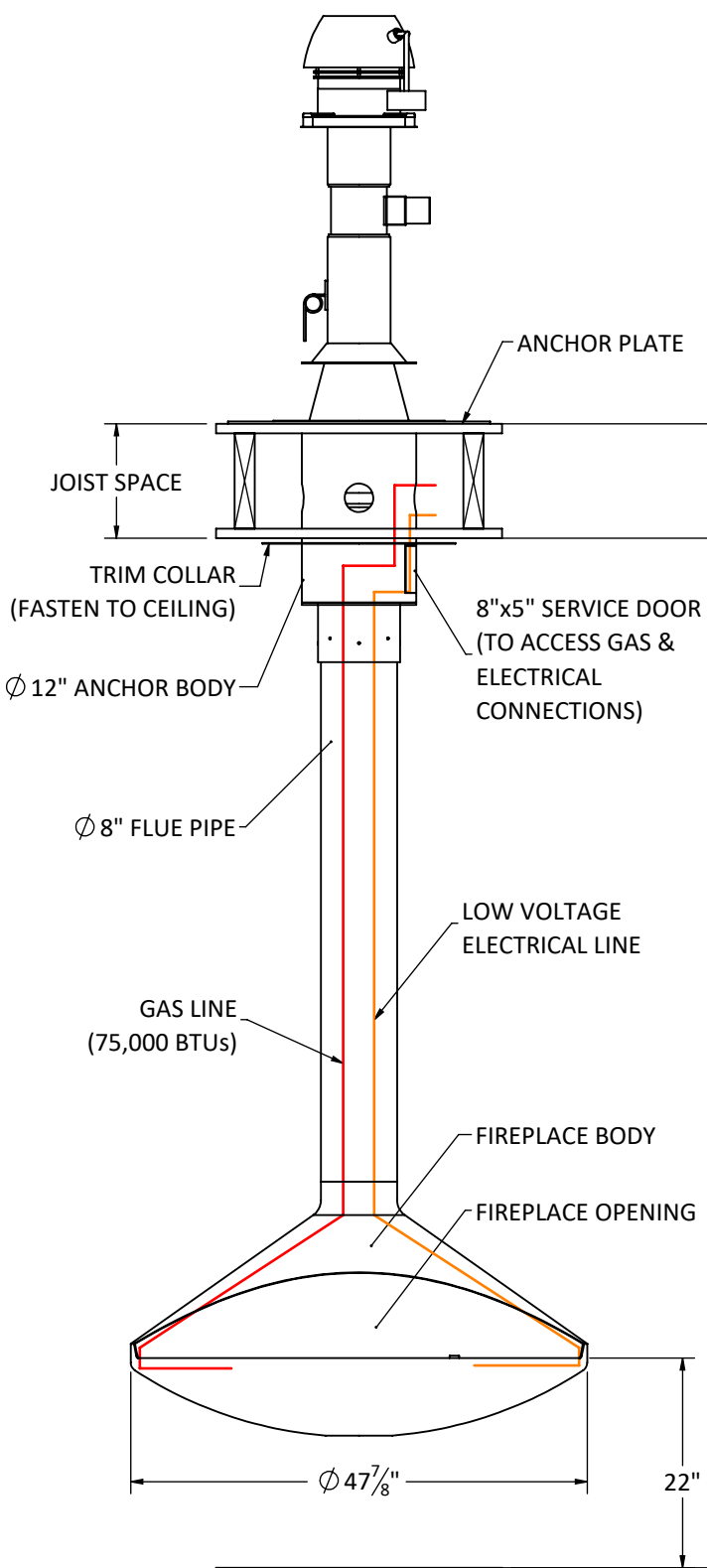
OPTIONAL DECORATIVE CHIMNEY COVER (ROUND)



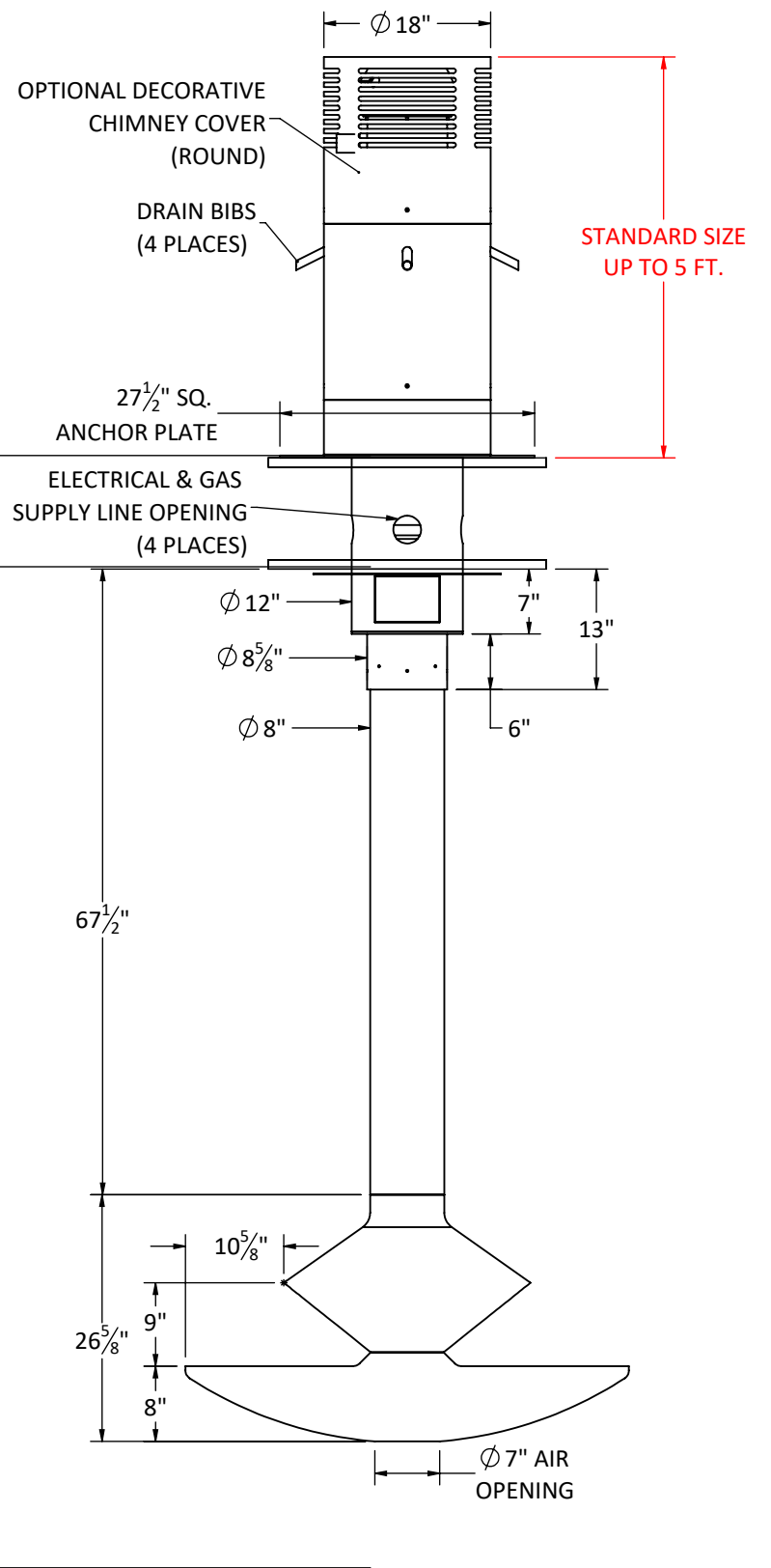
(STANDARD SIZE UP TO 5 FT.)

WITHOUT DECORATIVE CHIMNEY COVER

WITH DECORATIVE CHIMNEY COVER



FRONT ELEVATION



SIDE ELEVATION

Shown with Standard 9 ft. Flat Ceiling Application & Gas Burner Custom Lengths & Anchor Options Available

North American Designed & Manufactured by:

CF + D

custom fireplace design

5230 Harvester Rd. Unit # 2 Burlington, Ontario Canada L7L 4X4
Phone: 905 681-3070 Fax: 905 681-8697

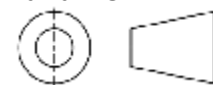
PROJECT
GIOIA See-Thru | Suspended Gas Fireplace

REV
0

UNLESS OTHERWISE SPECIFIED

DESCRIPTION
Decorative Cover

DIMENSIONS ARE IN INCHES
TOLERANCES:
FRACTIONAL ± 1/16
ANGULAR: MACH ± 1° BEND ± 0.5°
TWO PLACE DECIMAL ± 0.01
THREE PLACE DECIMAL ± 0.005



	NAME	DATE (mm/dd/yyyy)
DRAWN	mpanchal	2020-06-18
CHECKED	MV	2020-06-18
APPROVED	--	NA

SIZE B SHEET 7 OF 7 DO NOT SCALE DRAWING

PROPRIETARY AND CONFIDENTIAL
THE INFORMATION CONTAINED IN THIS DRAWING IS THE SOLE PROPERTY OF CUSTOM FIREPLACE DESIGN.
ANY REPRODUCTION IN PART OR AS A WHOLE WITHOUT THE WRITTEN PERMISSION OF CUSTOM FIREPLACE DESIGN IS PROHIBITED.