

VITA | Fireplaces

North American Designed & Manufactured by **CF + D** | custom fireplace design



MAXIM | Suspended Hood with Base Gas Fireplace



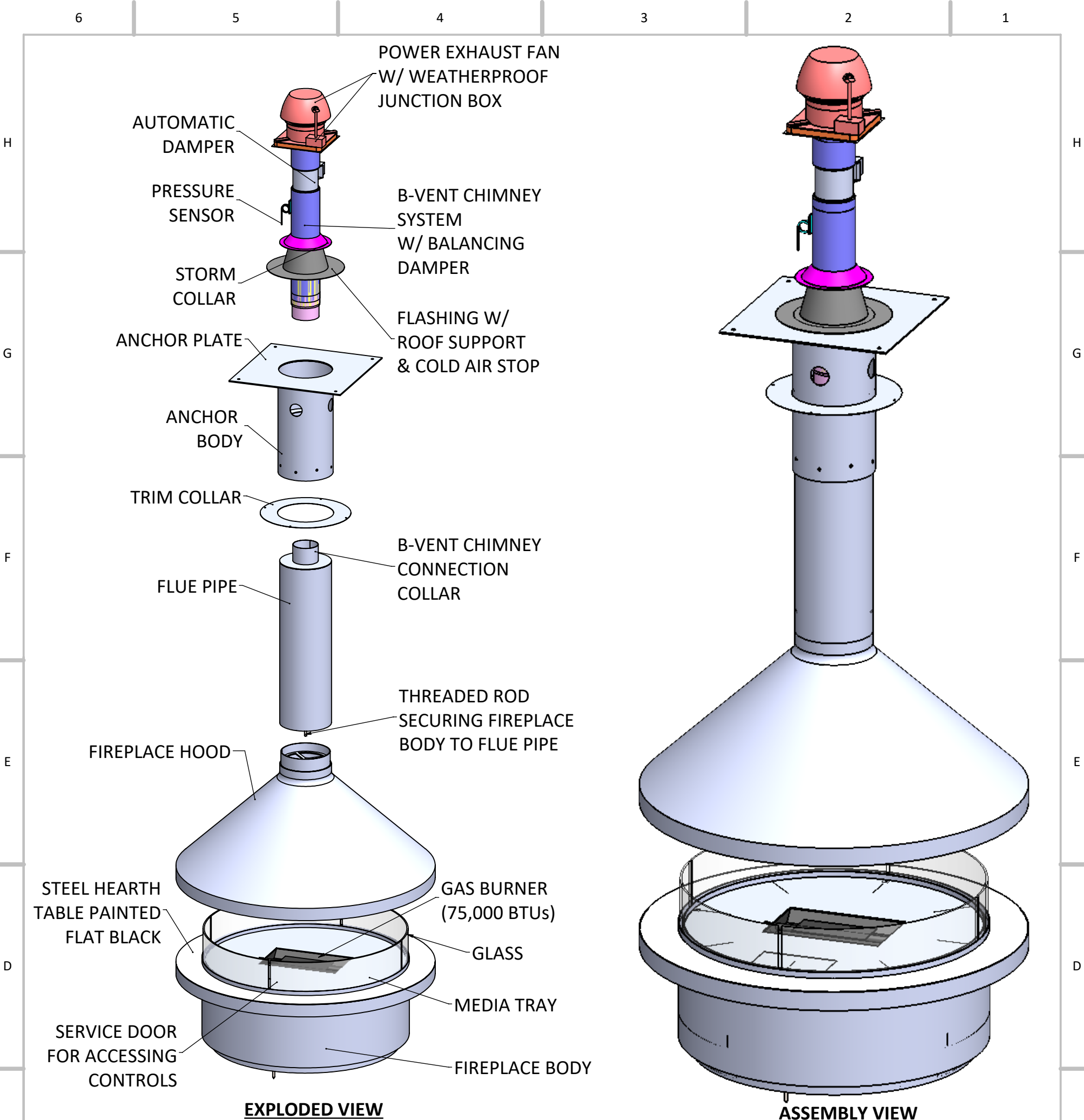
Fireplaces have been tested and proved to comply with ANSI Z21.50/CSA 2.22 Vented Gas Fireplace. Certified under: ICC-ES PMG-1290

PRODUCT LAYOUT PACKAGE
(VERTICAL TERMINATION)

2020-06-19

CF + D | custom fireplace design

www.customfireplacedesign.com



MAXIM | Suspended Hood with Base Gas Fireplace
Product Information

- Fireplaces have been tested and proved to comply with ANSI Z21.50/CSA 2.22 Vented Gas Fireplace. Certified under: ICC-ES PMG-1290.
- Natural Gas or Propane fueled.
- Natural Gas Burner: approx. 75,000 BTUs.
- Propane Burner: approx. 60,000 BTUs.
- 120 Volt 15 Amp required for venting.
- Gas & Electrical connections to be completed on-site at service door.
- 6" ID B-Vent chimney system required.
- All standard fireplaces painted in factory matte black finish. Custom colors and patina finishes available.
- Switch operation on wall (not included).
- All dimensions are in inches.
- Exact measurements may vary $\pm 1/4"$.
- Optional decorative chimney cover available at add'l cost.
- Custom anchor options available at add'l cost.
- Enervex Intelli Draft and Damper System.

- The height of the chimney vent must extend a minimum of 2 ft. above the roof exit.
- Fasten/Secure hearth to the floor.
- Minimum 50 sq. in. of ventilation air required for cooling controls.
- 2 x 1 1/2" conduit's recommended for Gas & Electrical requirements.
- Non-combustible floor material required under the fireplace.

STANDARD PRODUCT WEIGHTS		
SR. NO.	COMPONENT REFERENCE	WEIGHT
1	Anchor (ϕ 12.75"x25" lg.)	100 lbs. approx.
2	Flue & Hood (ϕ 12"x40" lg.)	190 lbs. approx.
3	Fireplace Body	390 lbs. approx.
Total Fireplace weight (for 9ft. ceiling application)		680 lbs. approx.
*Each add'l. 1 ft. of flue pipe weighs : approx. 17 lbs.		
*Each add'l. 1 ft. of anchor pipe weighs : approx. 18 lbs.		

North American Designed & Manufactured by:



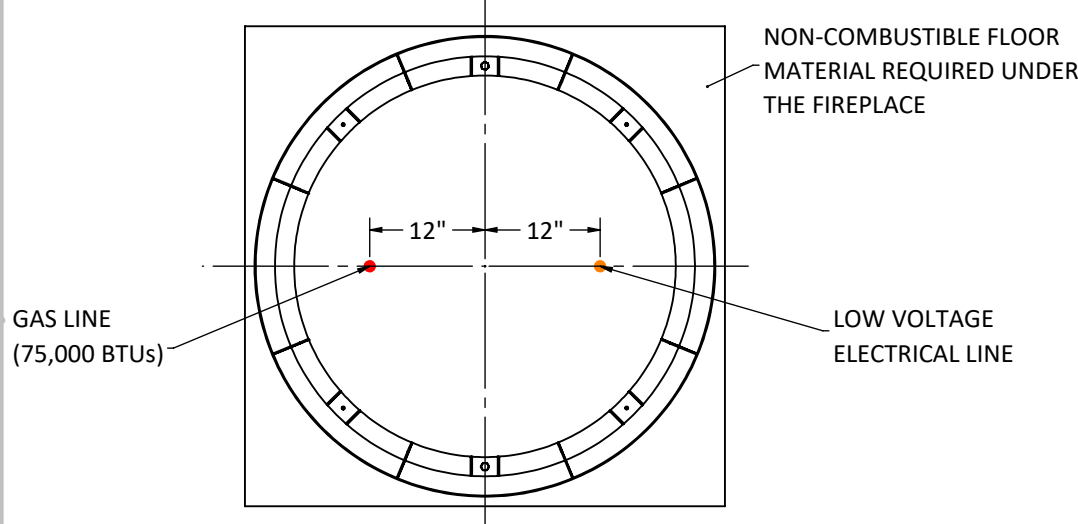
5230 Harvester Rd. Unit # 2 Burlington, Ontario Canada L7L 4X4
 Phone: 905 681-3070 Fax: 905 681-8697

PROJECT MAXIM Suspended Hood with Base Gas Fireplace		REV 0
UNLESS OTHERWISE SPECIFIED		DESCRIPTION Assembly View
DIMENSIONS ARE IN INCHES		NAME
TOLERANCES:		DATE (mm/dd/yyyy)
FRACTIONAL $\pm 1/16$		DRAWN
ANGULAR: MACH $\pm 1^\circ$ BEND $\pm 0.5^\circ$		CHECKED
TWO PLACE DECIMAL ± 0.01		APPROVED
THREE PLACE DECIMAL ± 0.005		
SIZE B SHEET 2 OF 7	DO NOT SCALE DRAWING	

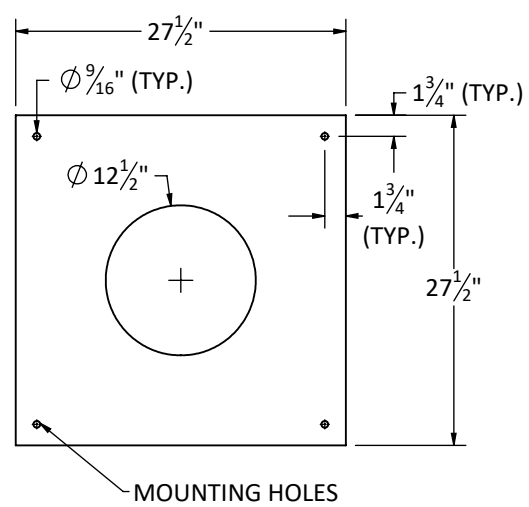
PROPRIETARY AND CONFIDENTIAL
 THE INFORMATION CONTAINED IN THIS DRAWING IS THE SOLE PROPERTY OF CUSTOM FIREPLACE DESIGN.
 ANY REPRODUCTION IN PART OR AS A WHOLE WITHOUT THE WRITTEN PERMISSION OF CUSTOM FIREPLACE DESIGN IS PROHIBITED.

H
G
F
E
D
C
B
A

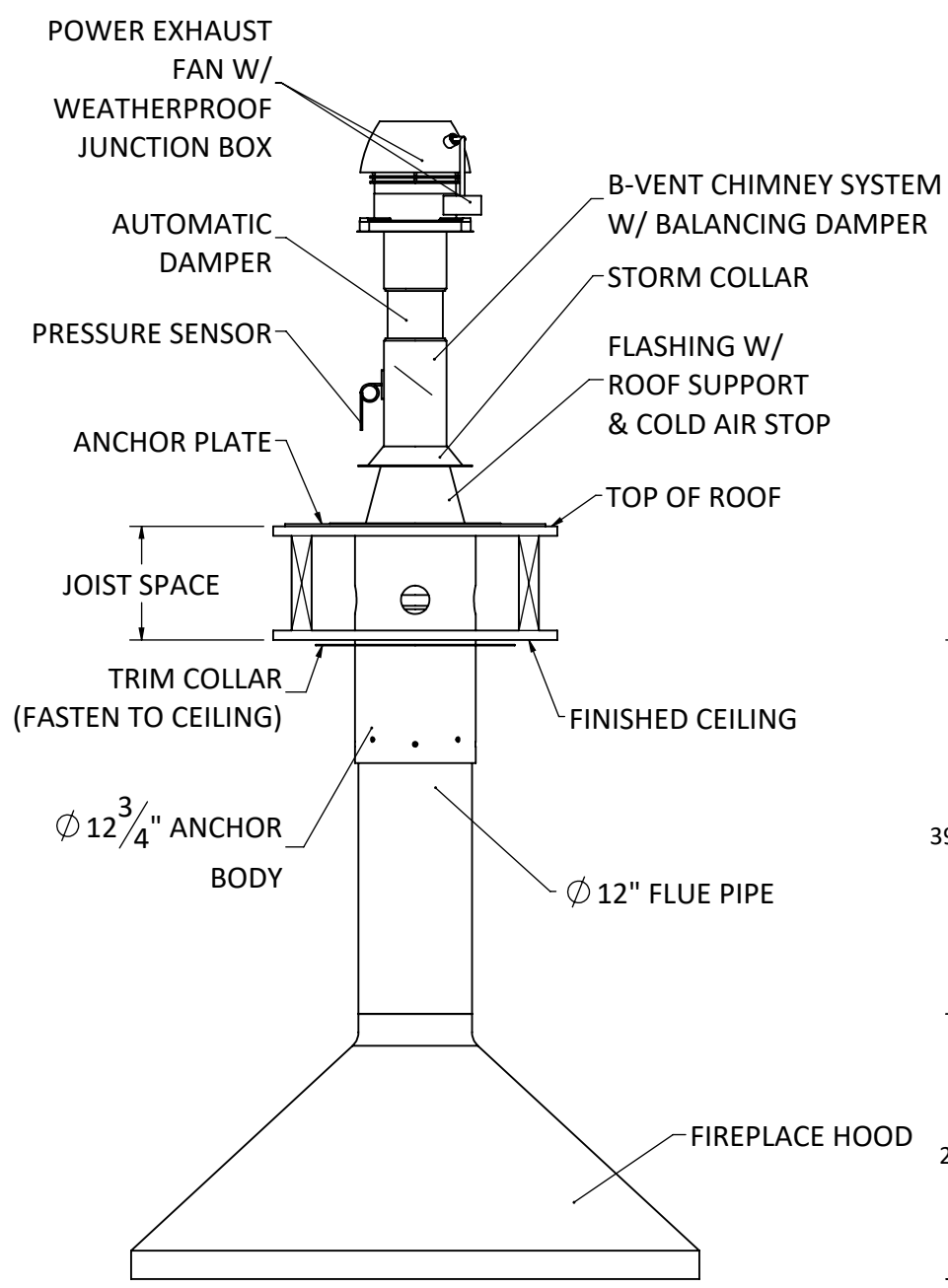
H
G
F
E
D
C
B
A



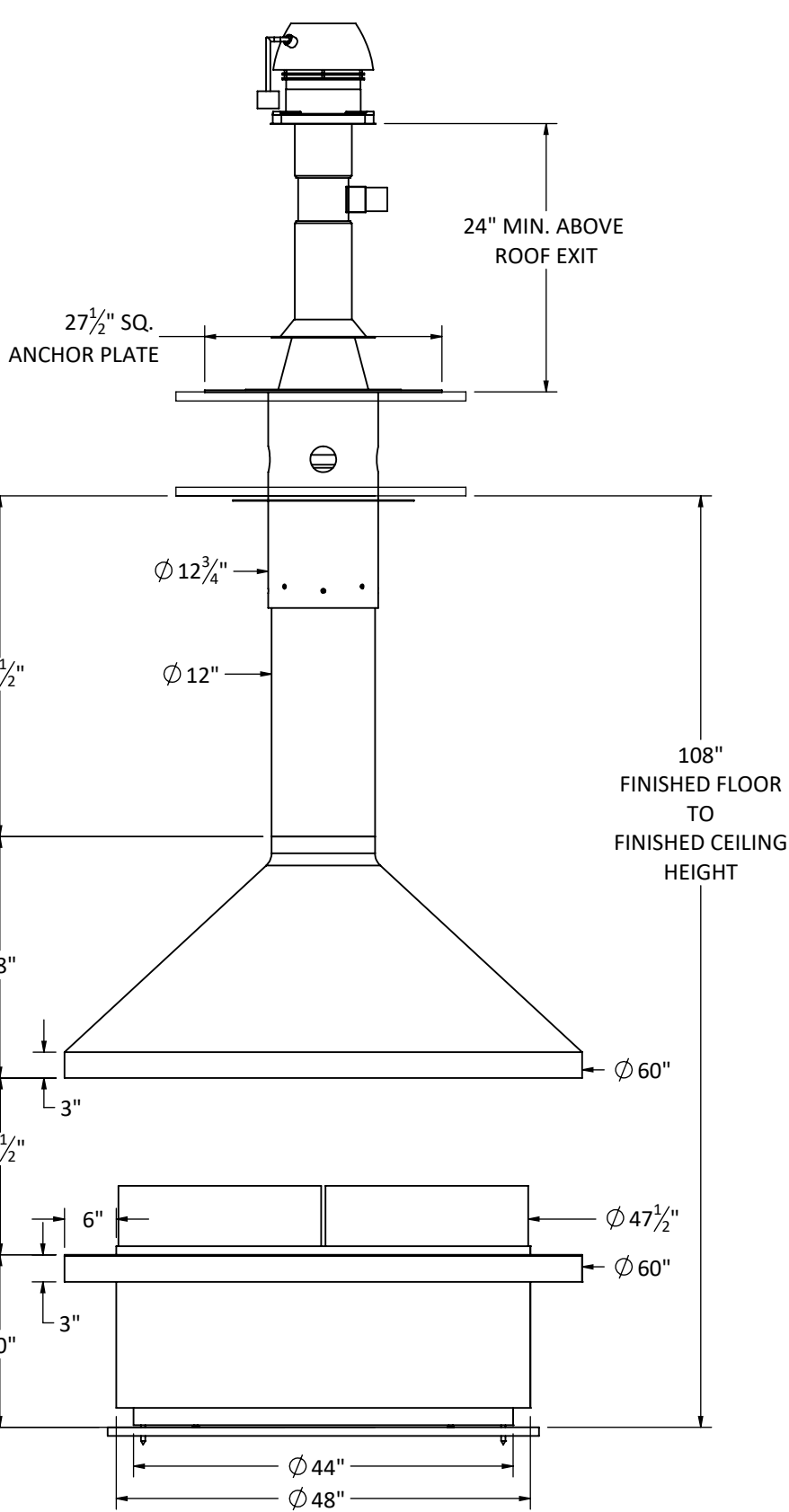
**SECTION E-E
GAS AND ELECTRICAL LINE LOCATION ON FLOOR**



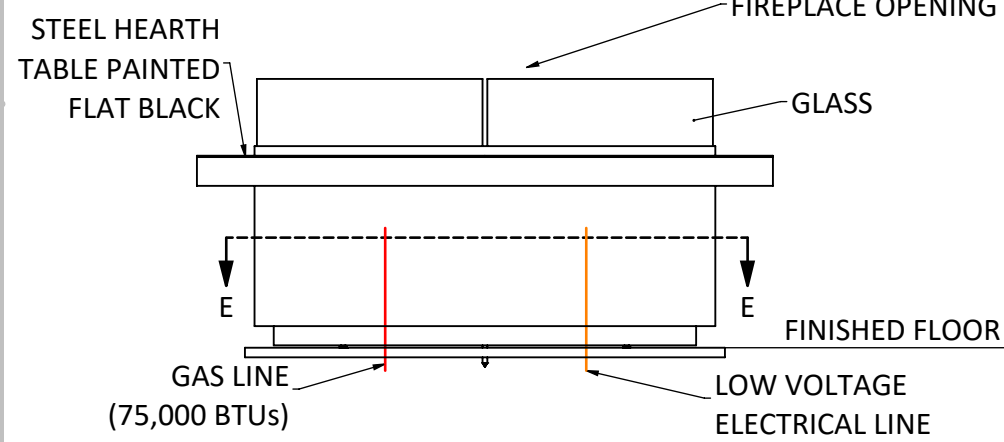
STANDARD ANCHOR PLATE- 1/4" THICK.



FRONT ELEVATION



SIDE ELEVATION



North American Designed & Manufactured by:

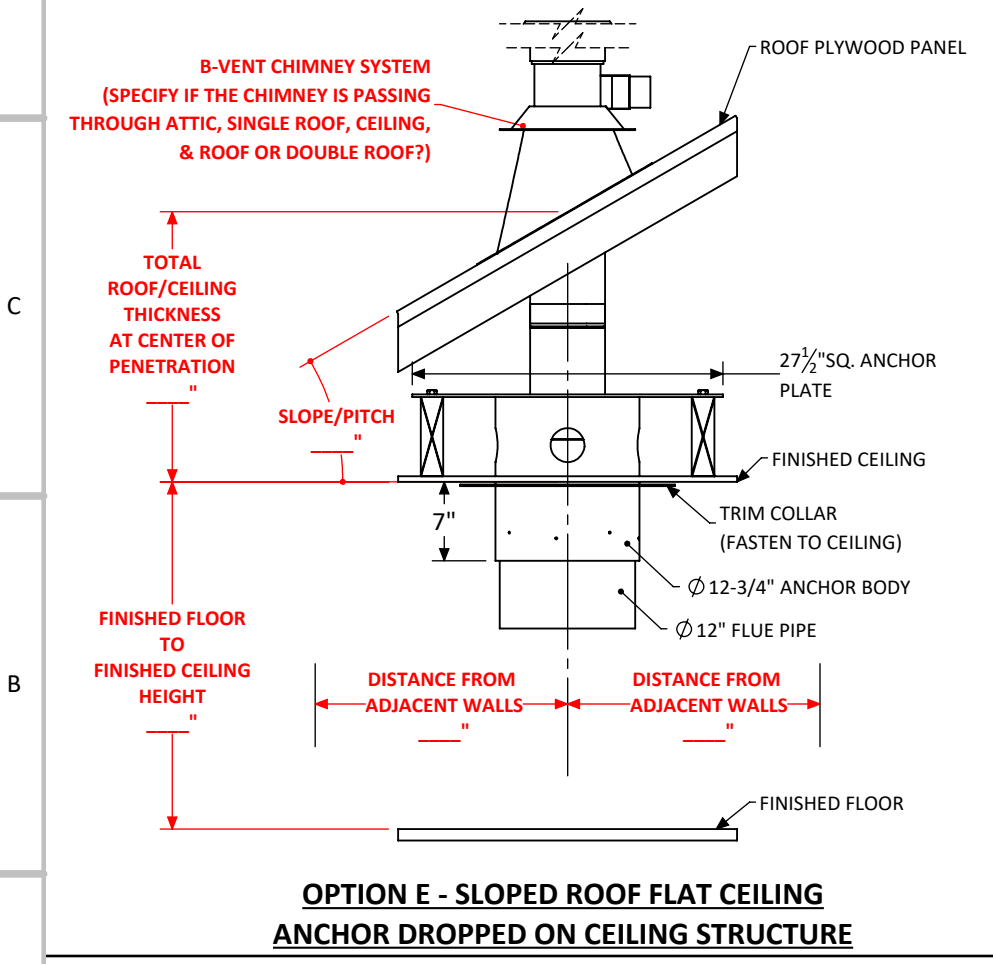
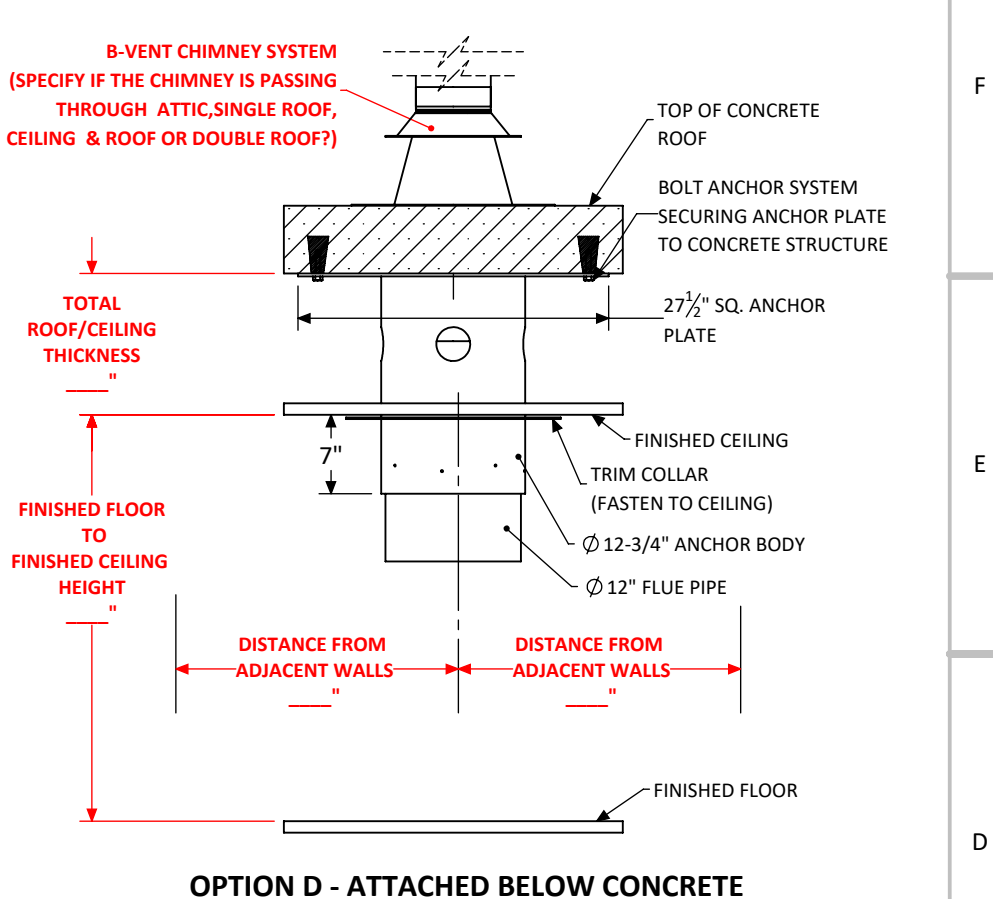
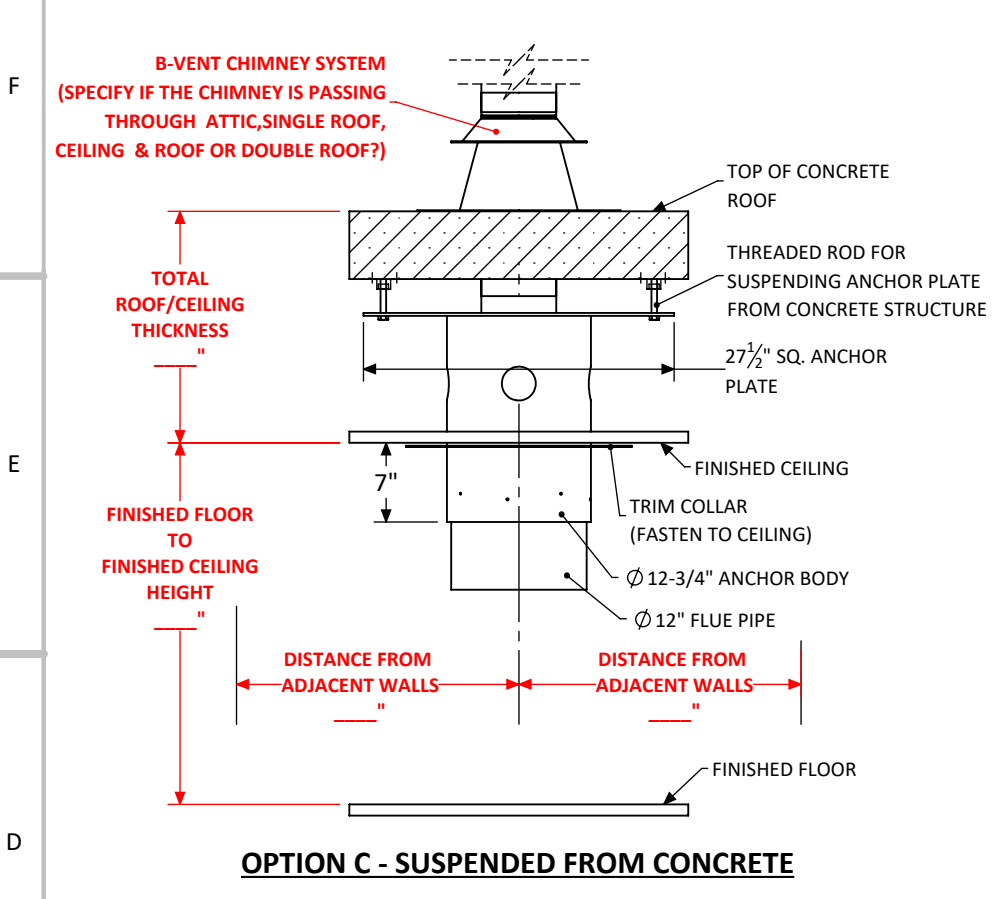
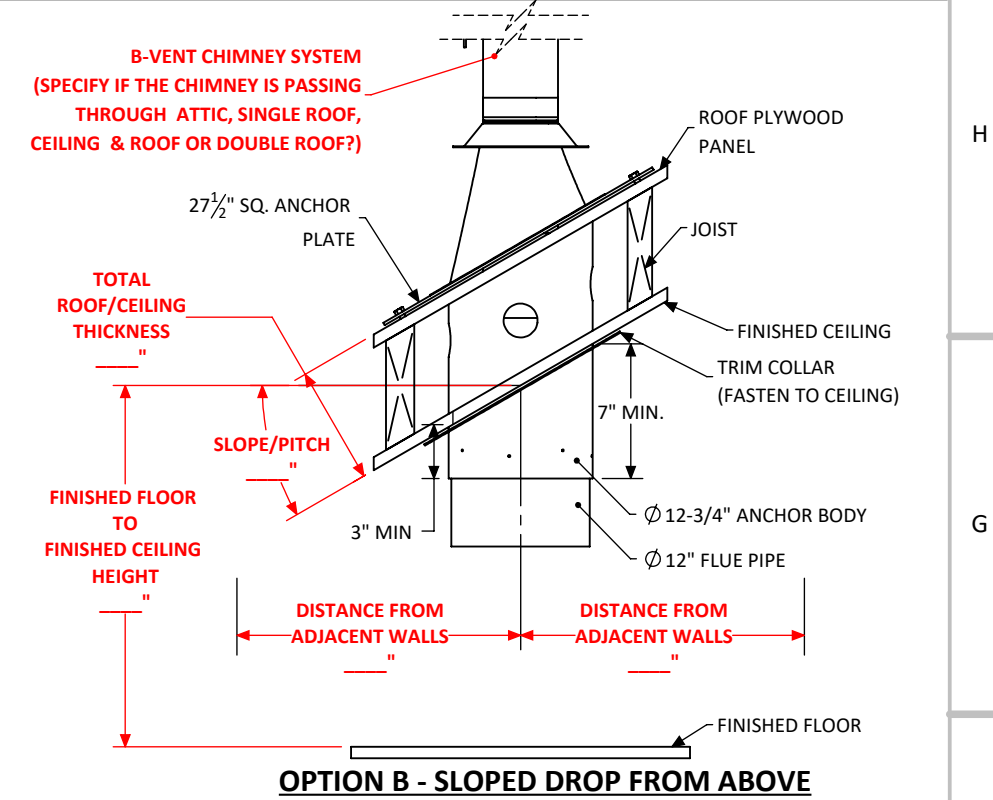
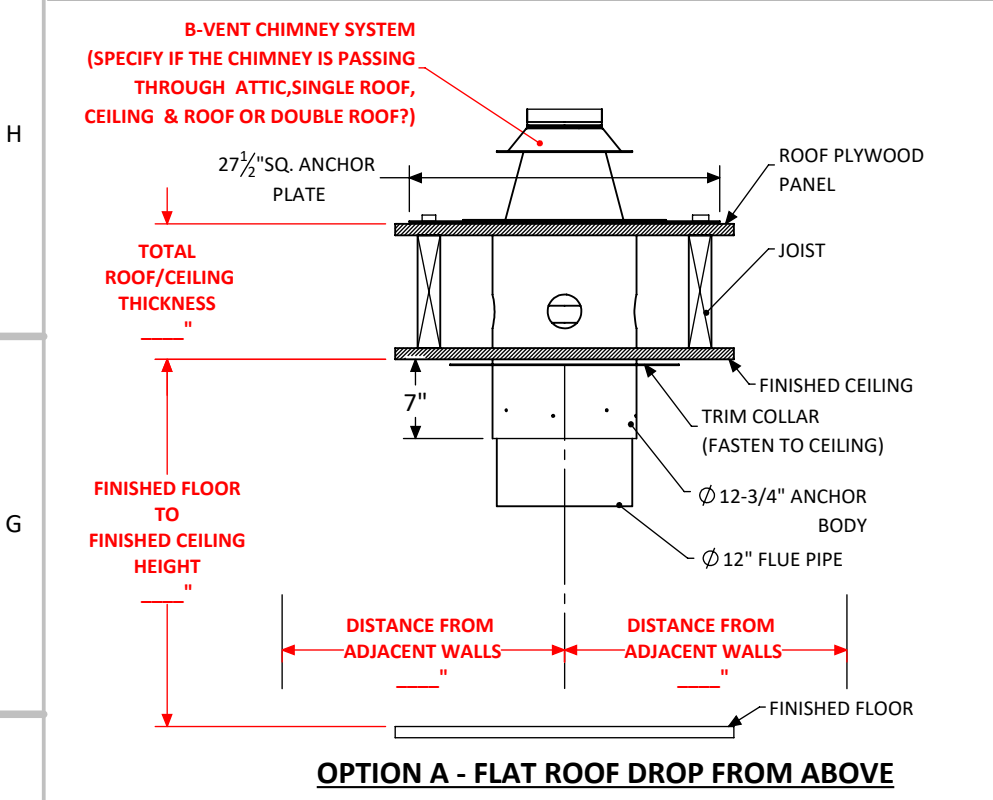


5230 Harvester Rd. Unit # 2 Burlington, Ontario Canada L7L 4X4
Phone: 905 681-3070 Fax: 905 681-8697

PROJECT MAXIM Suspended Hood with Base Gas Fireplace		REV 0
UNLESS OTHERWISE SPECIFIED		DESCRIPTION Specifications
DIMENSIONS ARE IN INCHES TOLERANCES: FRACTIONAL ± 1/16 ANGULAR: MACH ± 1° BEND ± 0.5° TWO PLACE DECIMAL ± 0.01 THREE PLACE DECIMAL ± 0.005		DATE (mm/dd/yyyy)
DRAWN	mpanchal	2020-06-19
CHECKED	MV	2020-06-19
APPROVED	--	NA

PROPRIETARY AND CONFIDENTIAL
THE INFORMATION CONTAINED IN THIS DRAWING IS THE SOLE PROPERTY OF CUSTOM FIREPLACE DESIGN.
ANY REPRODUCTION IN PART OR AS A WHOLE WITHOUT THE WRITTEN PERMISSION OF CUSTOM FIREPLACE DESIGN IS PROHIBITED.


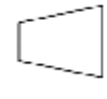
CUSTOM ANCHOR OPTIONS AVAILABLE (PLEASE FILL IN THE BLANKS AS PER SITE SPECIFIC DETAILS)



North American Designed & Manufactured by:

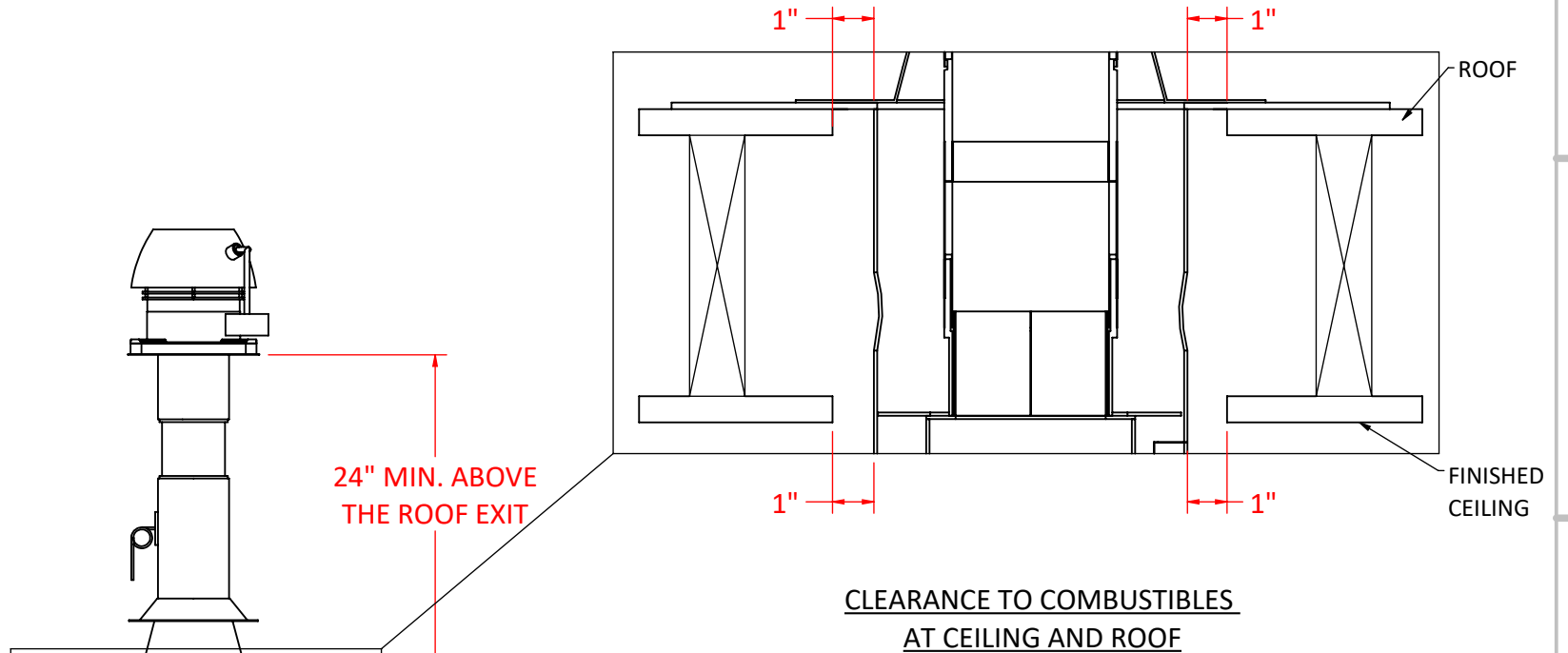
CF + D
custom fireplace design

5230 Harvester Rd. Unit # 2 Burlington, Ontario Canada L7L 4X4
Phone: 905 681-3070 Fax: 905 681-8697

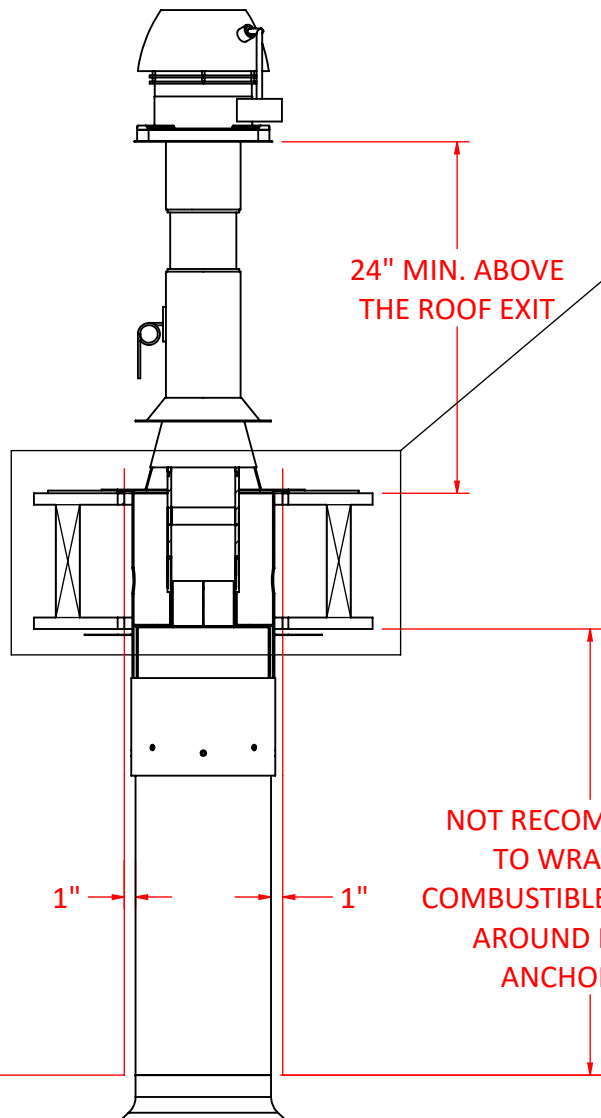
PROJECT	MAXIM Suspended Hood with Base Gas Fireplace		REV	0	
UNLESS OTHERWISE SPECIFIED	DESCRIPTION		Anchor Options		
DIMENSIONS ARE IN INCHES	 	NAME	DATE (mm/dd/yyyy)		
TOLERANCES:		DRAWN	pjani	2020-06-21	
FRACTIONAL: ± 1/16		CHECKED	MV	2020-06-21	
ANGULAR: MACH ± 1° BEND ± 0.5°	SIZE B SHEET 4 OF 7	DO NOT SCALE DRAWING	APPROVED	--	NA
TWO PLACE DECIMAL ± 0.01					
THREE PLACE DECIMAL ± 0.005					

PROPRIETARY AND CONFIDENTIAL
THE INFORMATION CONTAINED IN THIS DRAWING IS THE SOLE PROPERTY OF CUSTOM FIREPLACE DESIGN. ANY REPRODUCTION IN PART OR AS A WHOLE WITHOUT THE WRITTEN PERMISSION OF CUSTOM FIREPLACE DESIGN IS PROHIBITED.

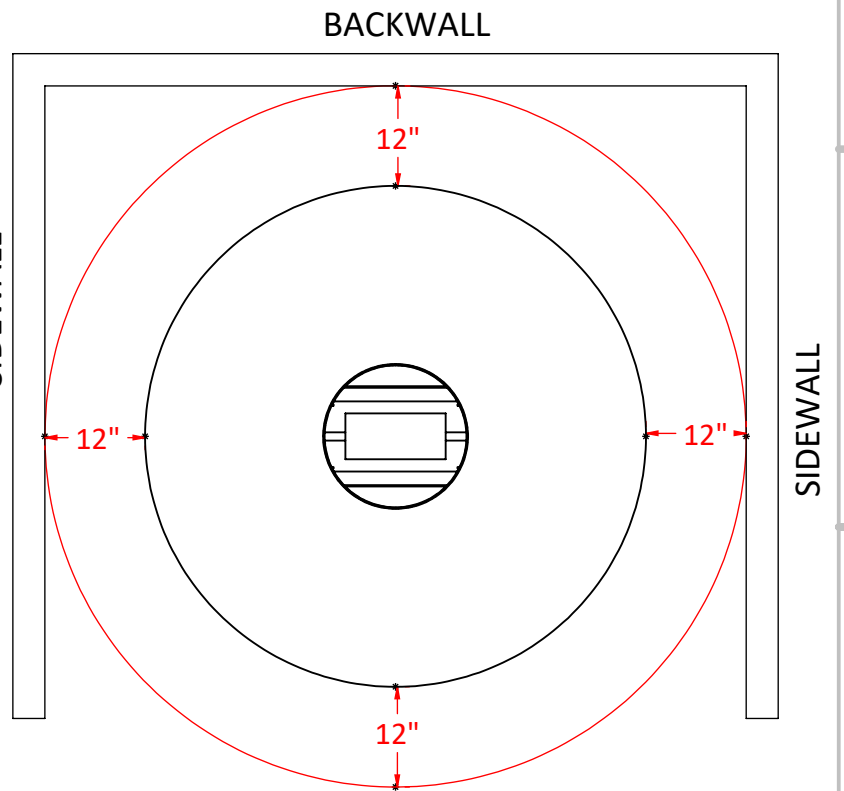
CLEARANCE TO COMBUSTIBLES



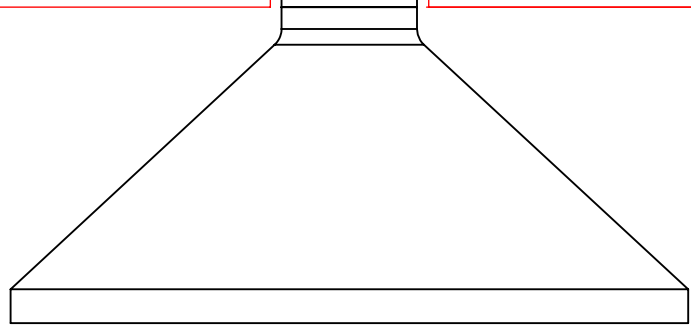
**CLEARANCE TO COMBUSTIBLES
AT CEILING AND ROOF**



NOT RECOMMENDED
TO WRAP ANY
COMBUSTIBLE MATERIAL
AROUND FLUE OR
ANCHOR PIPE



**TOP VIEW
CLEARANCE TO COMBUSTIBLES
AROUND FIREPLACE BODY & HOOD**



FRONT ELEVATION

NON-COMBUSTIBLE FLOOR
MATERIAL REQUIRED UNDER
THE FIREPLACE

CLEARANCE TO COMBUSTIBLES:

1. 12" from hood & fireplace body. 1" where the anchor or flue crosses the ceiling & roof. 1" where the chimney system terminates at wall outlet.
2. A minimum 12" distance between a combustible wall and fireplace body is required.
3. Non-combustible floor material required under the fireplace.

North American Designed & Manufactured by:

CF + D

custom fireplace design

5230 Harvester Rd. Unit # 2 Burlington, Ontario Canada L7L 4X4
Phone: 905 681-3070 Fax: 905 681-8697

PROJECT

MAXIM | Suspended Hood with Base Gas Fireplace

REV

0

UNLESS OTHERWISE SPECIFIED

DESCRIPTION

Clearance to Combustibles

DIMENSIONS ARE IN INCHES

TOLERANCES:

FRACTIONAL ± 1/16

ANGULAR: MACH ± 1° BEND ± 0.5°

TWO PLACE DECIMAL ± 0.01

THREE PLACE DECIMAL ± 0.005



	NAME	DATE (mm/dd/yyyy)
DRAWN	mpanchal	2020-06-19
CHECKED	MV	2020-06-19
APPROVED	--	NA

SIZE B SHEET 5 OF 7

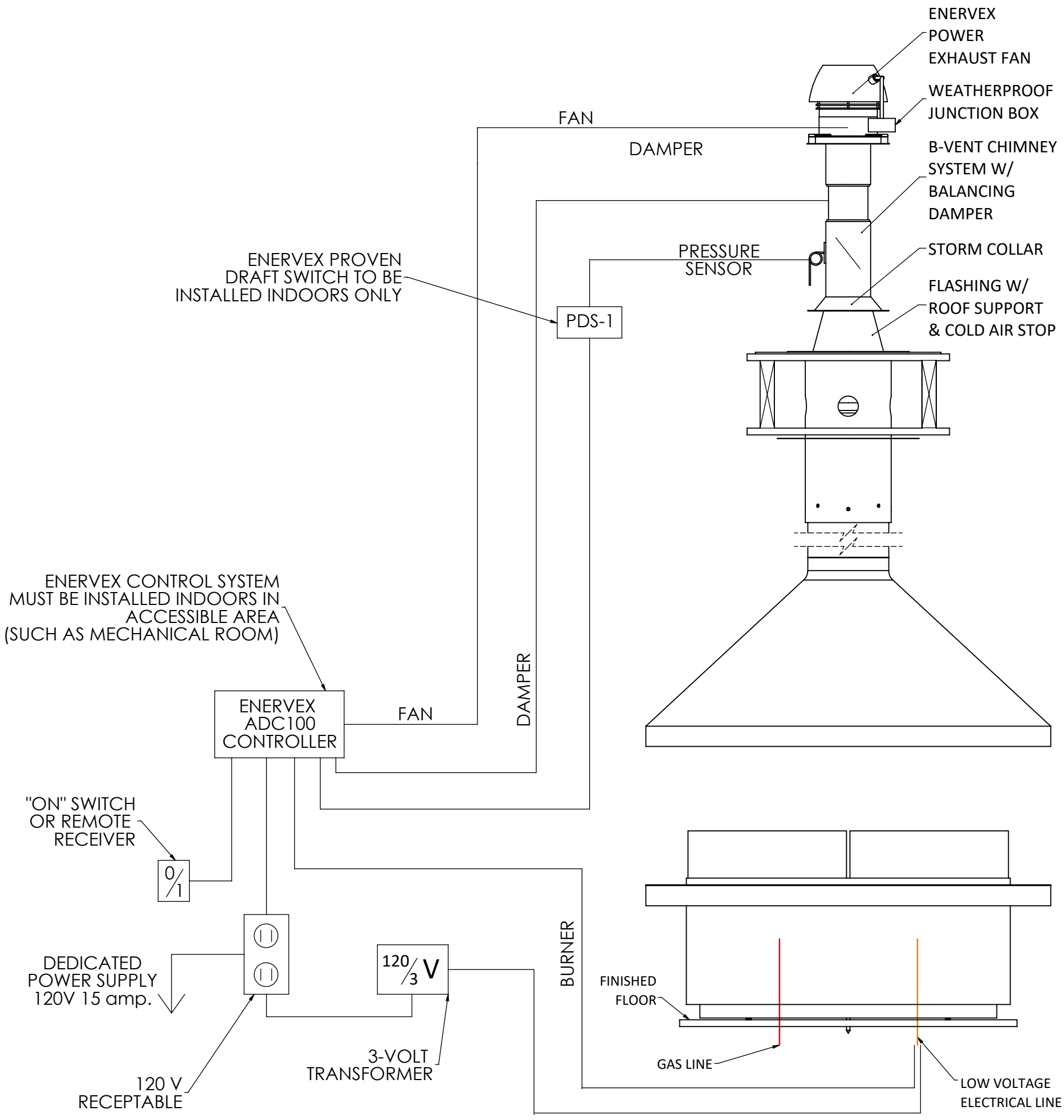
DO NOT SCALE DRAWING

APPROVED

PROPRIETARY AND CONFIDENTIAL

THE INFORMATION CONTAINED IN THIS DRAWING IS THE SOLE PROPERTY OF CUSTOM FIREPLACE DESIGN. ANY REPRODUCTION IN PART OR AS A WHOLE WITHOUT THE WRITTEN PERMISSION OF CUSTOM FIREPLACE DESIGN IS PROHIBITED.

TYPICAL VITA GAS ENERVEX ELECTRICAL DIAGRAM



ENERVEX PROVEN DRAFT SWITCH TO BE INSTALLED INDOORS ONLY

ENERVEX CONTROL SYSTEM MUST BE INSTALLED INDOORS IN ACCESSIBLE AREA (SUCH AS MECHANICAL ROOM)

SCHEMATIC ENERVEX SYSTEM AS PER ENERVEX MANUALS/MEP REQUIREMENTS

SEE PAGE 11 OF ENERVEX ADC100
MANUAL

North American Designed & Manufactured by:



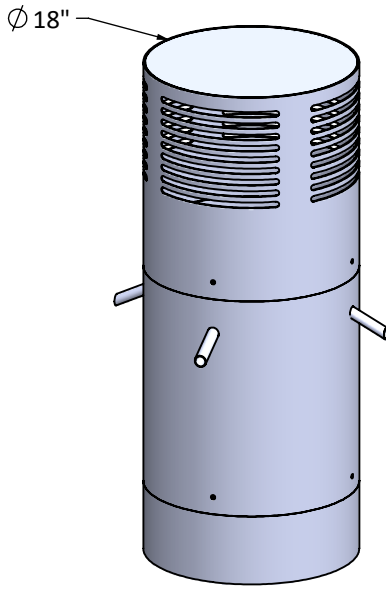
5230 Harvester Rd. Unit # 2 Burlington, Ontario Canada L7L 4X4
Phone: 905 681-3070 Fax: 905 681-8697

PROJECT MAXIM Suspended Hood with Base Gas Fireplace		REV 0
UNLESS OTHERWISE SPECIFIED		DESCRIPTION Electrical Diagram
DIMENSIONS ARE IN INCHES		
TOLERANCES:		
FRACTIONAL ± 1/16		
ANGULAR: MACH ± 1° BEND ± 0.5°		
TWO PLACE DECIMAL ± 0.01		
THREE PLACE DECIMAL ± 0.005		
DRAWN	NAME mpanchal	DATE (mm/dd/yyyy) 2020-06-19
CHECKED	MV	2020-06-19
APPROVED	--	NA

PROPRIETARY AND CONFIDENTIAL
THE INFORMATION CONTAINED IN THIS DRAWING IS THE SOLE PROPERTY OF CUSTOM FIREPLACE DESIGN.
ANY REPRODUCTION IN PART OR AS A WHOLE WITHOUT THE WRITTEN PERMISSION OF CUSTOM FIREPLACE DESIGN IS PROHIBITED.

SIZE B SHEET 6 OF 7 DO NOT SCALE DRAWING

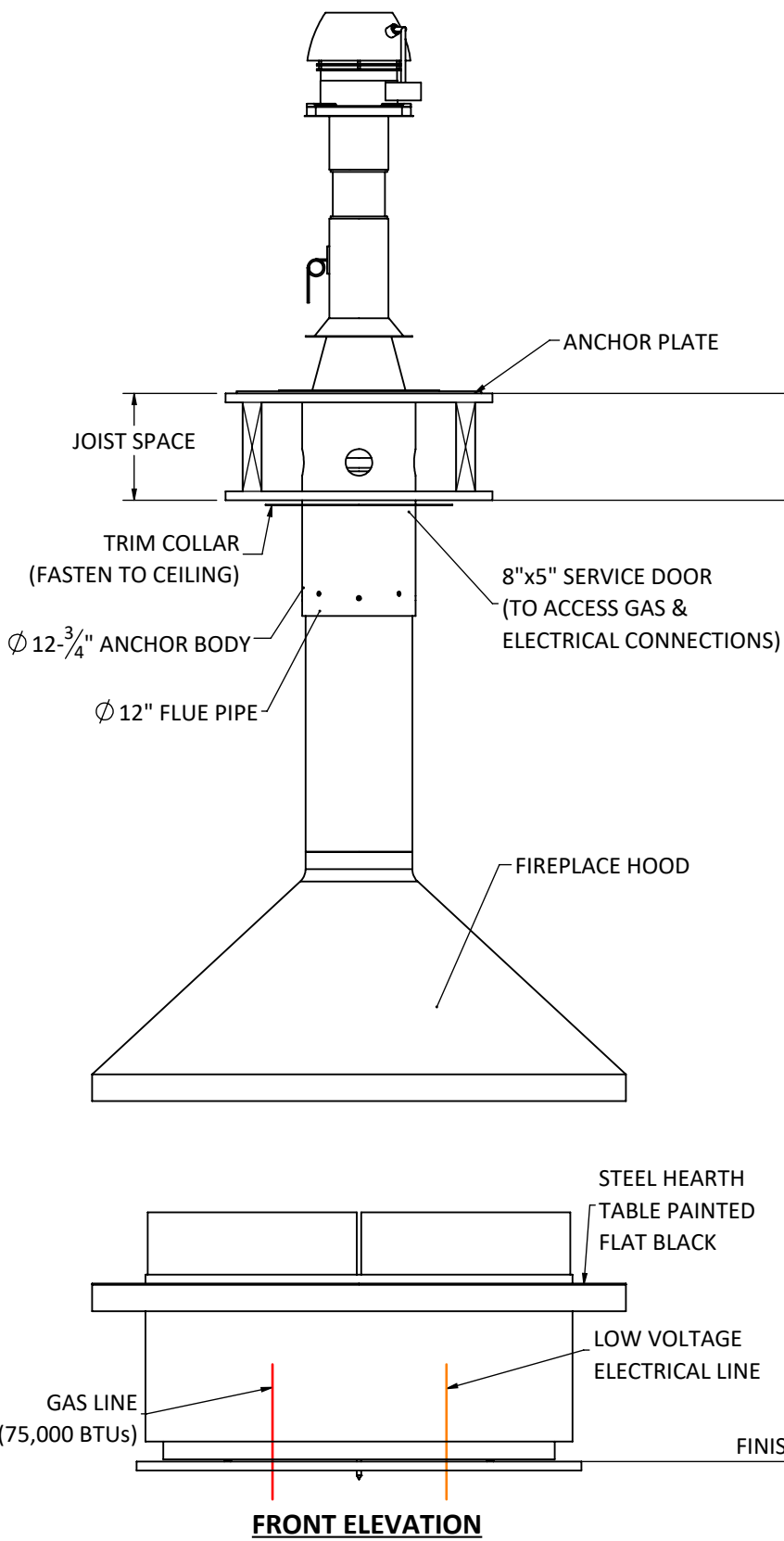
OPTIONAL DECORATIVE CHIMNEY COVER (ROUND)



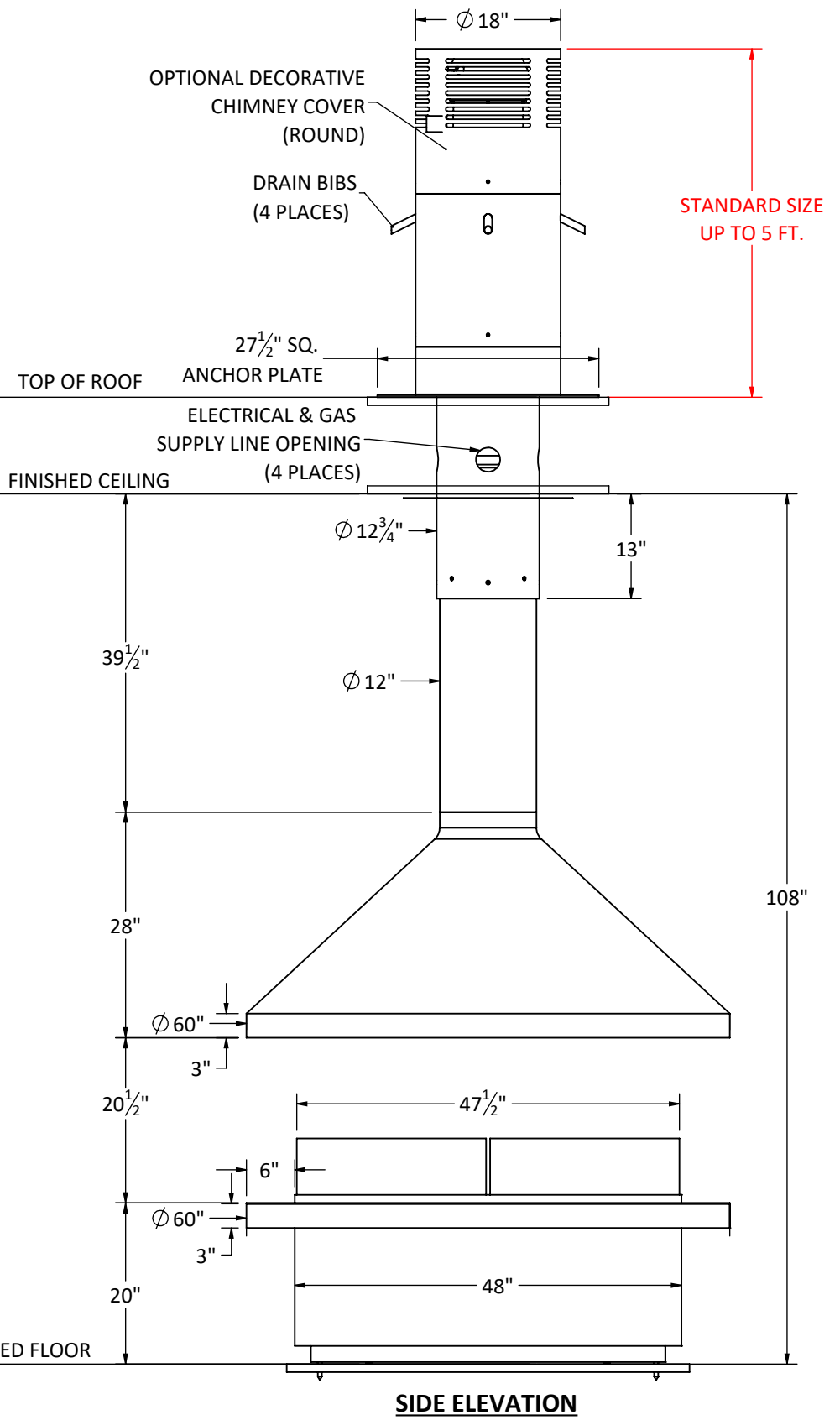
(STANDARD SIZE UP TO 5 FT.)

WITHOUT DECORATIVE CHIMNEY COVER

WITH DECORATIVE CHIMNEY COVER



FRONT ELEVATION



SIDE ELEVATION

Shown with Standard 9 ft. Flat Ceiling Application & Gas Burner Custom Lengths & Anchor Options Available

North American Designed & Manufactured by:



5230 Harvester Rd. Unit # 2 Burlington, Ontario Canada L7L 4X4
Phone: 905 681-3070 Fax: 905 681-8697

PROJECT
MAXIM | Suspended Hood with Base Gas Fireplace

UNLESS OTHERWISE SPECIFIED

DIMENSIONS ARE IN INCHES
TOLERANCES:
FRACTIONAL ± 1/16
ANGULAR: MACH ± 1° BEND ± 0.5°
TWO PLACE DECIMAL ± 0.01
THREE PLACE DECIMAL ± 0.005



DESCRIPTION
Decorative Cover

	NAME	DATE (mm/dd/yyyy)
DRAWN	mpanchal	2020-06-19
CHECKED	MV	2020-06-19
APPROVED	--	NA

SIZE B SHEET 7 OF 7 DO NOT SCALE DRAWING

REV
0

A

PROPRIETARY AND CONFIDENTIAL
THE INFORMATION CONTAINED IN THIS DRAWING IS THE SOLE PROPERTY OF CUSTOM FIREPLACE DESIGN.
ANY REPRODUCTION IN PART OR AS A WHOLE WITHOUT THE WRITTEN PERMISSION OF CUSTOM FIREPLACE DESIGN IS PROHIBITED.