

VITA | Fireplaces

North American Designed & Manufactured by **CF + D** | custom fireplace design



AIDAN Single-Sided | Suspended Gas Fireplace



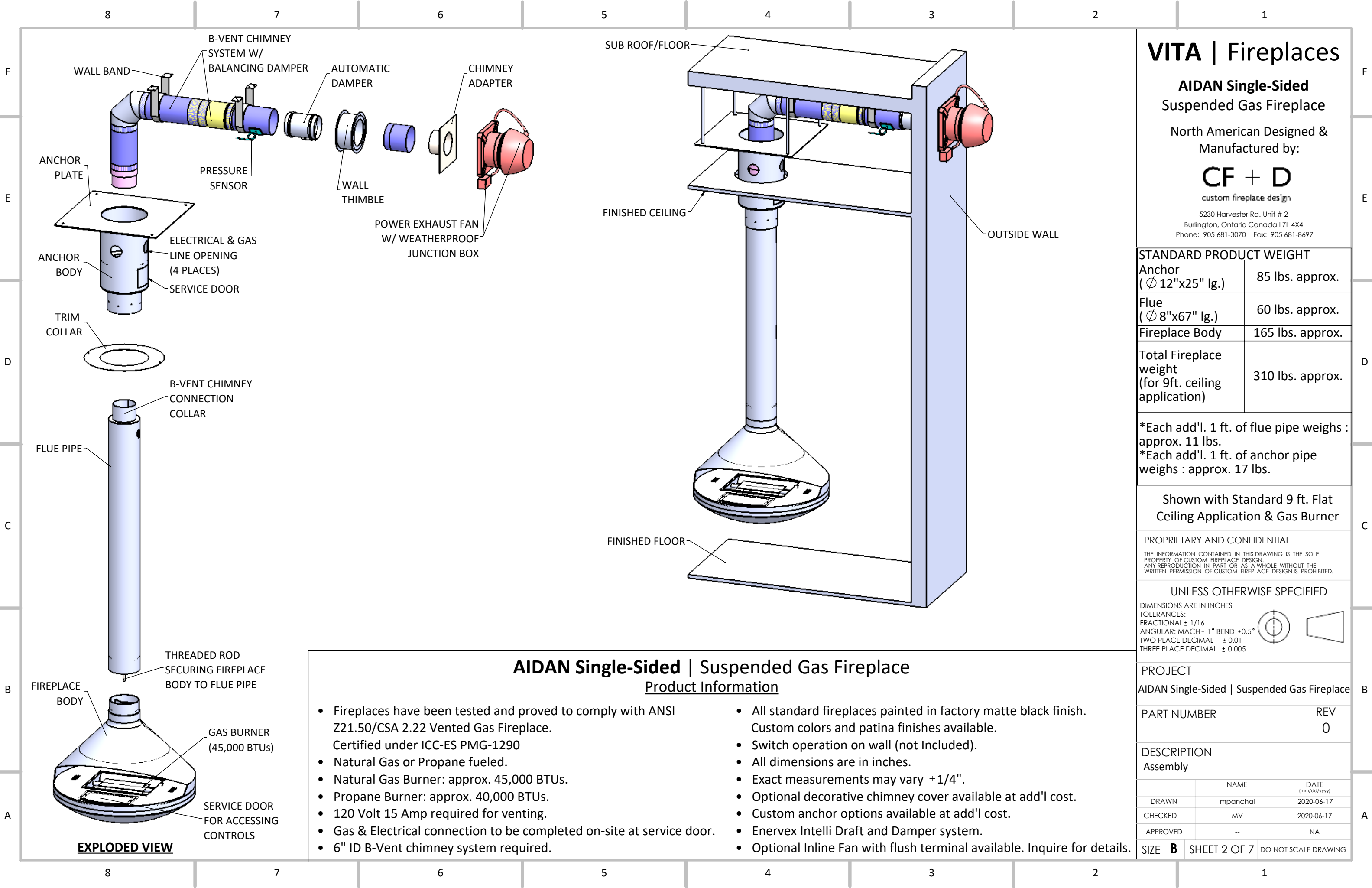
Fireplaces have been tested and proved to comply with ANSI Z21.50/CSA 2.22 Vented Gas Fireplace. Certified under: ICC-ES PMG-1290

PRODUCT LAYOUT PACKAGE (HORIZONTAL TERMINATION)

2020-06-17

CF + D | custom fireplace design

www.customfireplacedesign.com



VITA | Fireplaces
AIDAN Single-Sided
 Suspended Gas Fireplace
 North American Designed &
 Manufactured by:
CF + D
 custom fireplace design
 5230 Harvester Rd. Unit # 2
 Burlington, Ontario Canada L7L 4X4
 Phone: 905 681-3070 Fax: 905 681-8697

STANDARD PRODUCT WEIGHT	
Anchor (\varnothing 12"x25" lg.)	85 lbs. approx.
Flue (\varnothing 8"x67" lg.)	60 lbs. approx.
Fireplace Body	165 lbs. approx.
Total Fireplace weight (for 9ft. ceiling application)	310 lbs. approx.

*Each add'l. 1 ft. of flue pipe weighs : approx. 11 lbs.
 *Each add'l. 1 ft. of anchor pipe weighs : approx. 17 lbs.

Shown with Standard 9 ft. Flat Ceiling Application & Gas Burner

PROPRIETARY AND CONFIDENTIAL
 THE INFORMATION CONTAINED IN THIS DRAWING IS THE SOLE PROPERTY OF CUSTOM FIREPLACE DESIGN. ANY REPRODUCTION IN PART OR AS A WHOLE WITHOUT THE WRITTEN PERMISSION OF CUSTOM FIREPLACE DESIGN IS PROHIBITED.

UNLESS OTHERWISE SPECIFIED
 DIMENSIONS ARE IN INCHES
 TOLERANCES:
 FRACTIONAL $\pm 1/16$
 ANGULAR: MACH $\pm 1^\circ$ BEND $\pm 0.5^\circ$
 TWO PLACE DECIMAL ± 0.01
 THREE PLACE DECIMAL ± 0.005

AIDAN Single-Sided | Suspended Gas Fireplace
 Product Information

- Fireplaces have been tested and proved to comply with ANSI Z21.50/CSA 2.22 Vented Gas Fireplace. Certified under ICC-ES PMG-1290
- Natural Gas or Propane fueled.
- Natural Gas Burner: approx. 45,000 BTUs.
- Propane Burner: approx. 40,000 BTUs.
- 120 Volt 15 Amp required for venting.
- Gas & Electrical connection to be completed on-site at service door.
- 6" ID B-Vent chimney system required.
- All standard fireplaces painted in factory matte black finish. Custom colors and patina finishes available.
- Switch operation on wall (not Included).
- All dimensions are in inches.
- Exact measurements may vary $\pm 1/4"$.
- Optional decorative chimney cover available at add'l cost.
- Custom anchor options available at add'l cost.
- Enervex Intelli Draft and Damper system.
- Optional Inline Fan with flush terminal available. Inquire for details.

PROJECT		
AIDAN Single-Sided Suspended Gas Fireplace		
PART NUMBER	REV	
	0	
DESCRIPTION		
Assembly		
	NAME	DATE (mm/dd/yyyy)
DRAWN	mpanchal	2020-06-17
CHECKED	MV	2020-06-17
APPROVED	--	NA
SIZE	B	SHEET 2 OF 7
DO NOT SCALE DRAWING		

EXPLODED VIEW

VITA | Fireplaces

**AIDAN Single-Sided
Suspended Gas Fireplace**
North American Designed &
Manufactured by:



custom fireplace design
5230 Harvester Rd. Unit # 2
Burlington, Ontario Canada L7L 4X4
Phone: 905 681-3070 Fax: 905 681-8697

Shown with Standard 9 ft. Flat
Ceiling Application & Gas Burner

PROPRIETARY AND CONFIDENTIAL
THE INFORMATION CONTAINED IN THIS DRAWING IS THE SOLE
PROPERTY OF CUSTOM FIREPLACE DESIGN.
ANY REPRODUCTION IN PART OR AS A WHOLE WITHOUT THE
WRITTEN PERMISSION OF CUSTOM FIREPLACE DESIGN IS PROHIBITED.

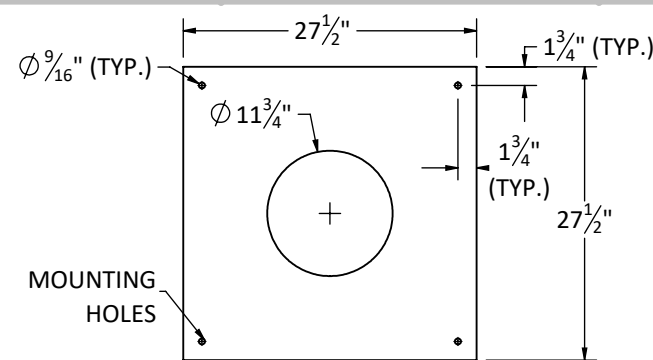
UNLESS OTHERWISE SPECIFIED
DIMENSIONS ARE IN INCHES
TOLERANCES:
FRACTIONAL ± 1/16
ANGULAR: MACH ± 1° BEND ± 0.5°
TWO PLACE DECIMAL ± 0.01
THREE PLACE DECIMAL ± 0.005

PROJECT
AIDAN Single-Sided | Suspended Gas Fireplace

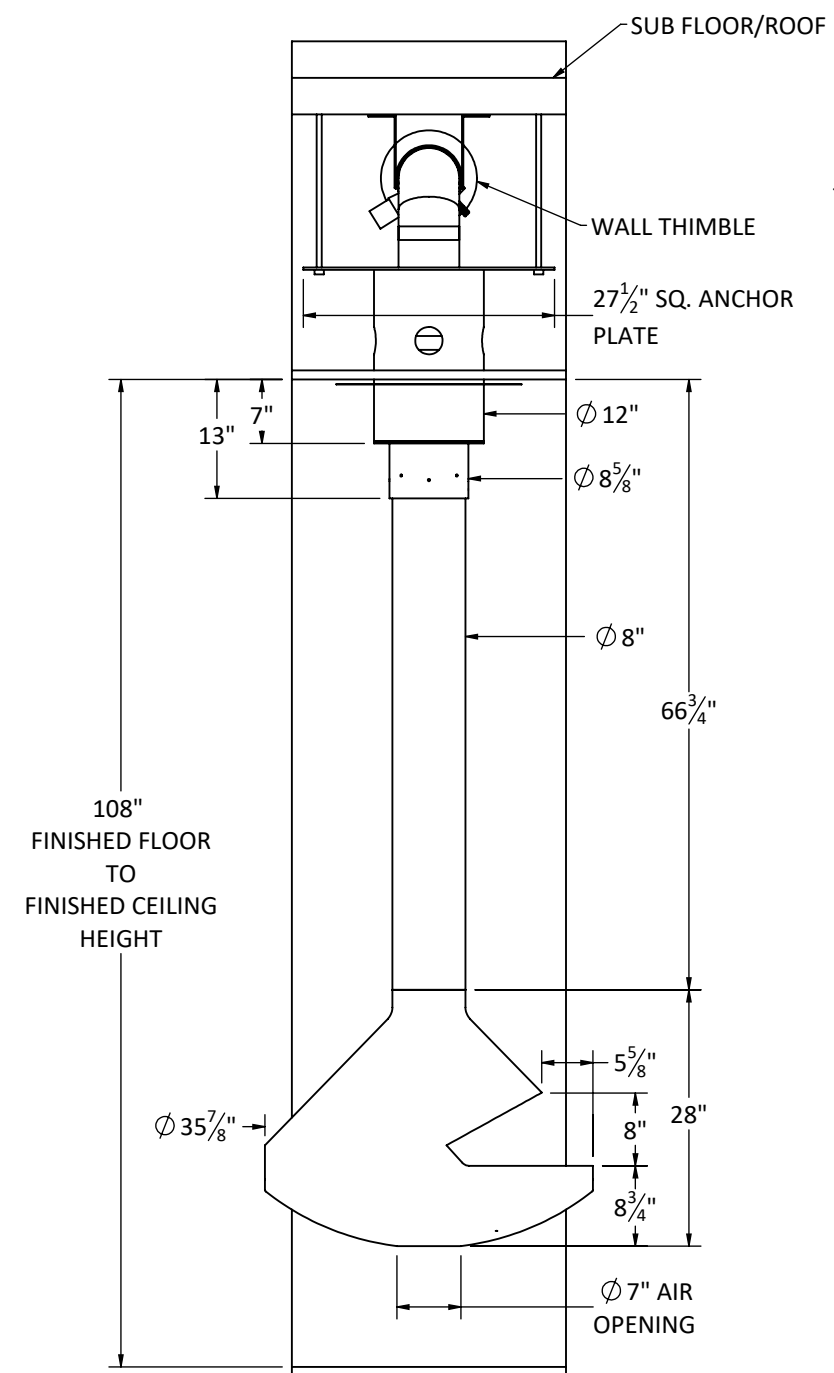
PART NUMBER	REV
	0

DESCRIPTION Specifications		
	NAME	DATE (mm/dd/yyyy)
DRAWN	mpanchal	2020-06-17
CHECKED	MV	2020-06-17
APPROVED	--	NA

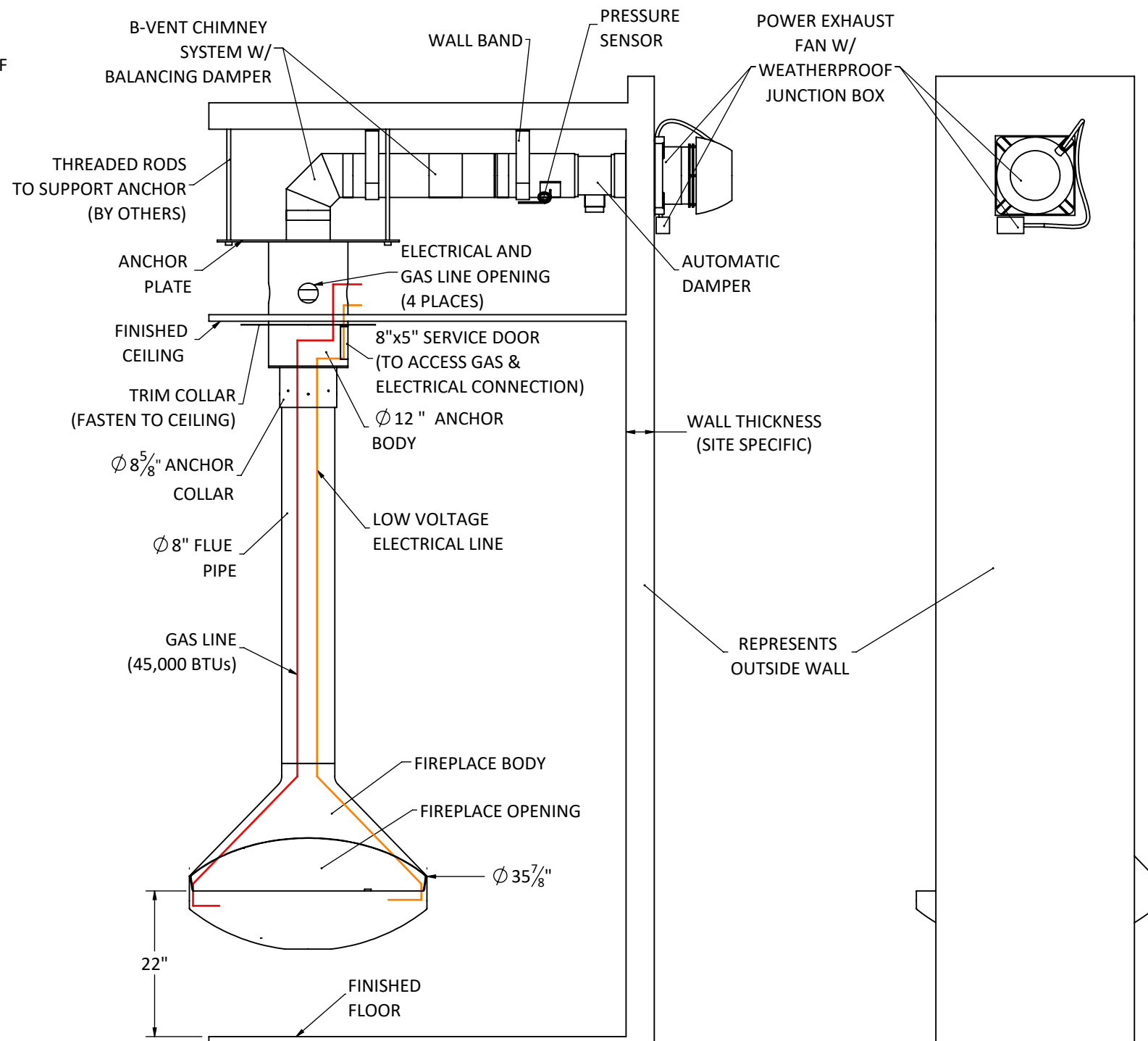
SIZE **B** SHEET 3 OF 7 DO NOT SCALE DRAWING



STANDARD ANCHOR PLATE- 1/4" THICK.



LEFT SIDE ELEVATION



FRONT ELEVATION

RIGHT SIDE ELEVATION

CUSTOM ANCHOR OPTIONS AVAILABLE (FILL IN THE BLANKS AS PER SITE SPECIFIC DETAILS)

VITA | Fireplaces

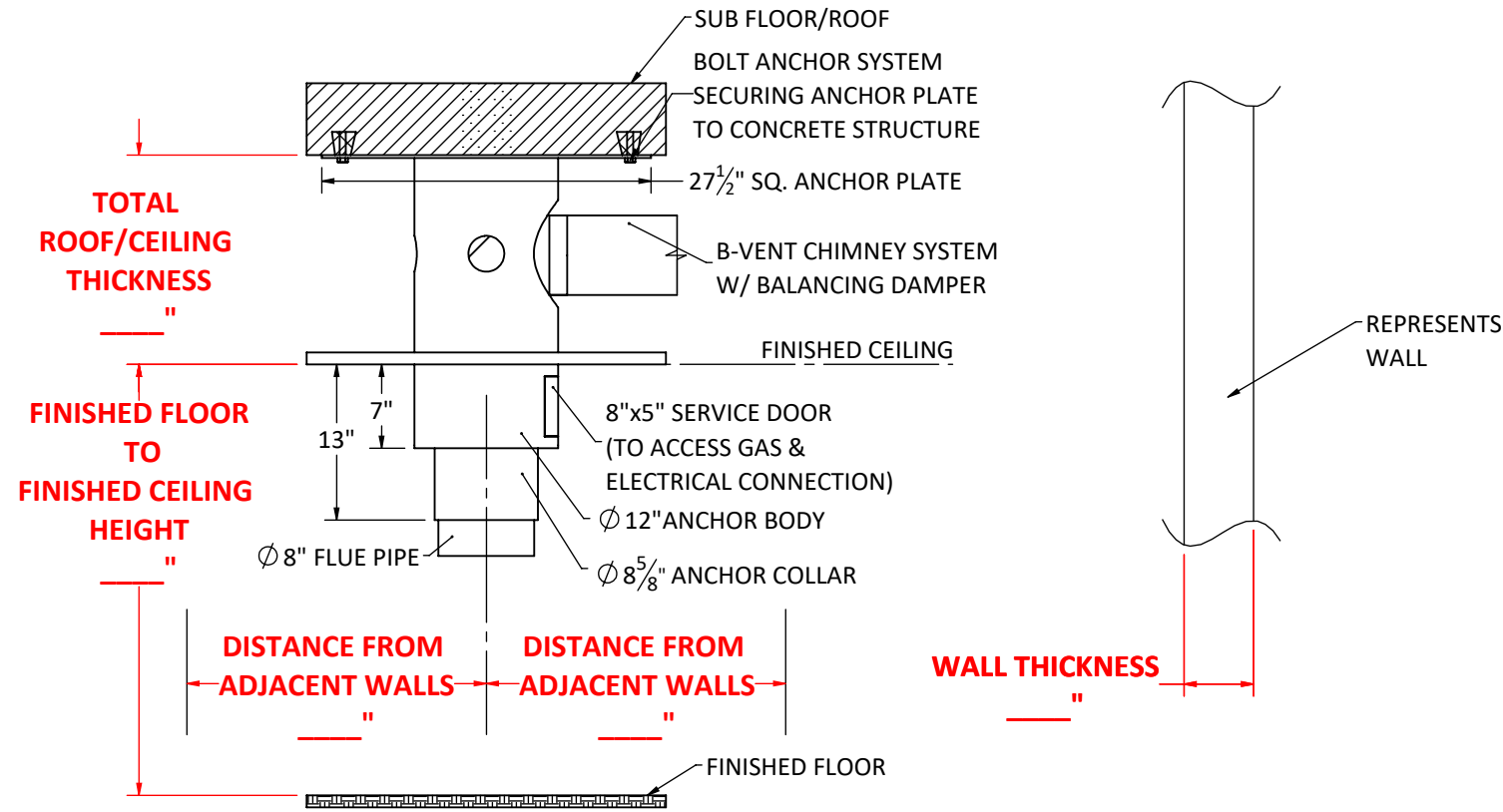
**AIDAN Single-Sided
Suspended Gas Fireplace**

North American Designed &
Manufactured by:

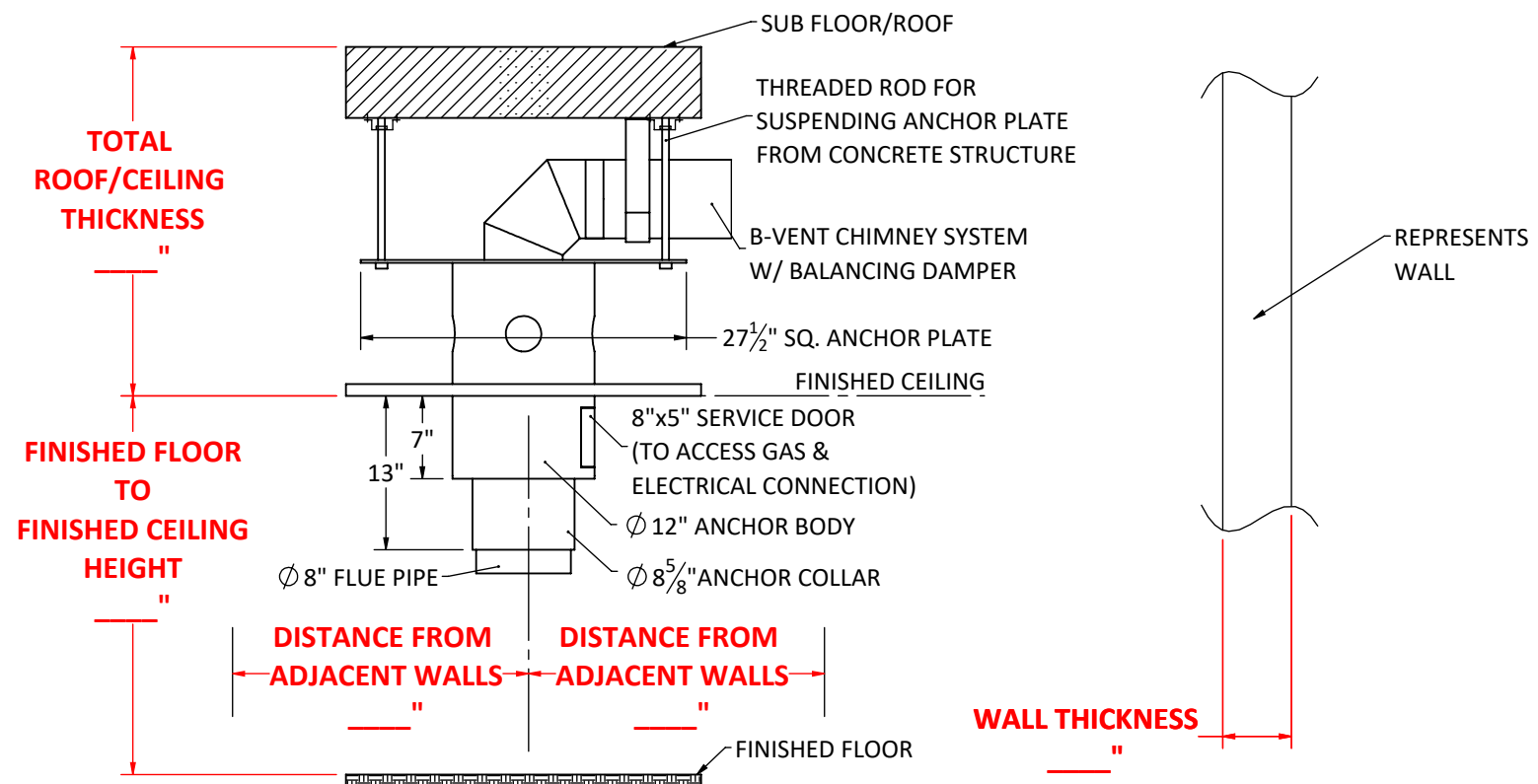
CF + D

custom fireplace design

5230 Harvester Rd. Unit # 2
Burlington, Ontario Canada L7L 4X4
Phone: 905 681-3070 Fax: 905 681-8697



OPTION A - ATTACHED BELOW CONCRETE



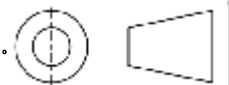
OPTION B - SUSPENDED FROM CONCRETE

PROPRIETARY AND CONFIDENTIAL

THE INFORMATION CONTAINED IN THIS DRAWING IS THE SOLE PROPERTY OF CUSTOM FIREPLACE DESIGN. ANY REPRODUCTION IN PART OR AS A WHOLE WITHOUT THE WRITTEN PERMISSION OF CUSTOM FIREPLACE DESIGN IS PROHIBITED.

UNLESS OTHERWISE SPECIFIED

DIMENSIONS ARE IN INCHES
TOLERANCES:
FRACTIONAL ± 1/16
ANGULAR: MACH ± 1° BEND ± 0.5°
TWO PLACE DECIMAL ± 0.01
THREE PLACE DECIMAL ± 0.005



PROJECT

AIDAN Single-Sided | Suspended Gas Fireplace

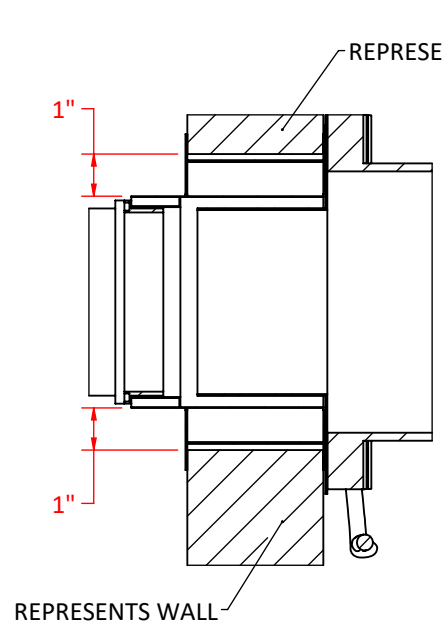
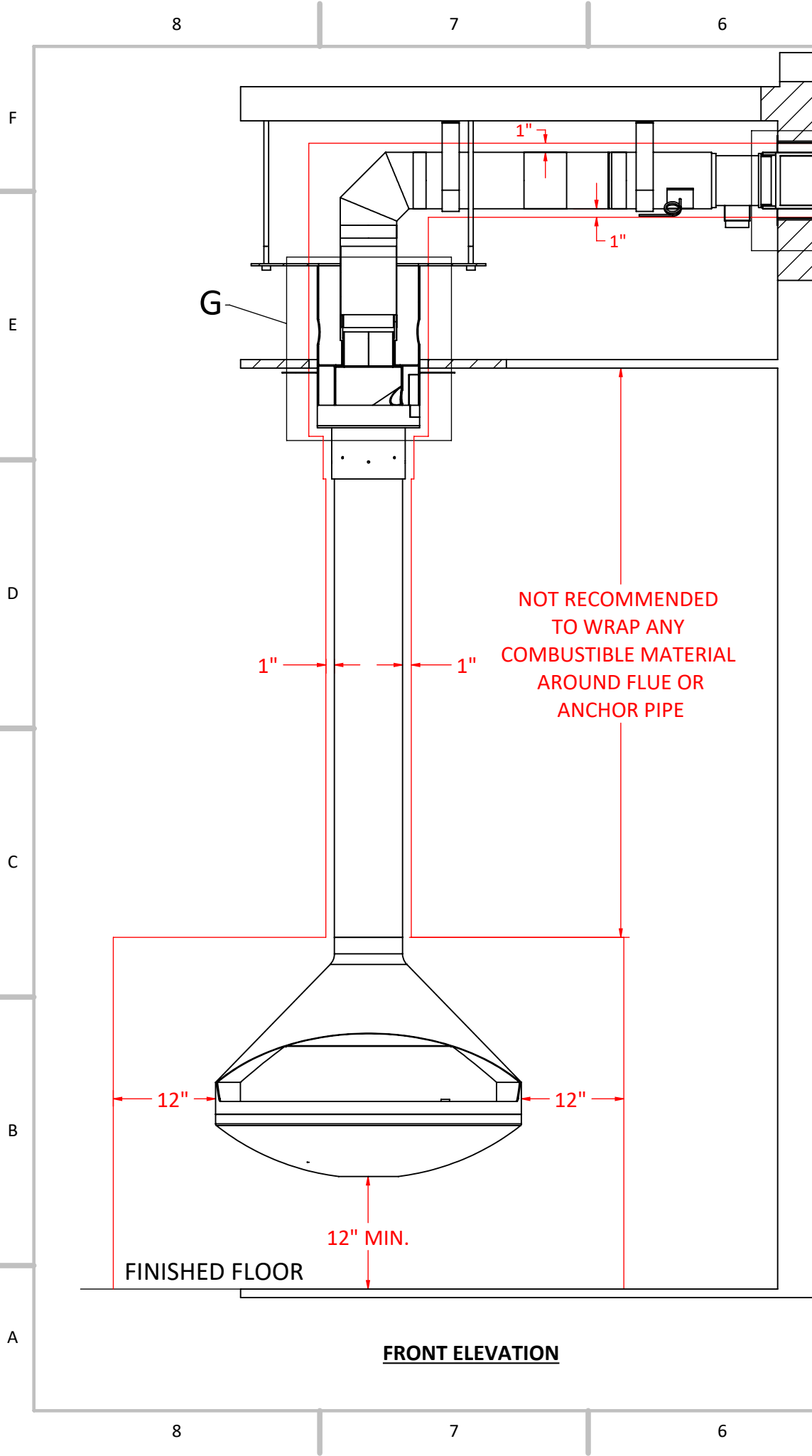
PART NUMBER

REV
0

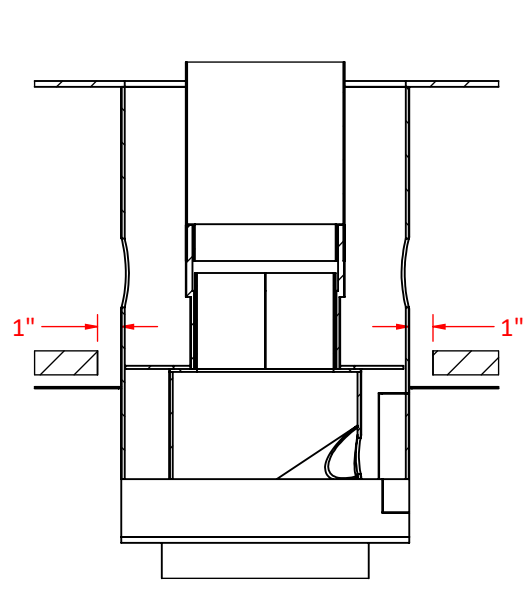
DESCRIPTION
Anchor Options

	NAME	DATE (mm/dd/yyyy)
DRAWN	mpanchal	2020-06-17
CHECKED	MV	2020-06-17
APPROVED	--	NA

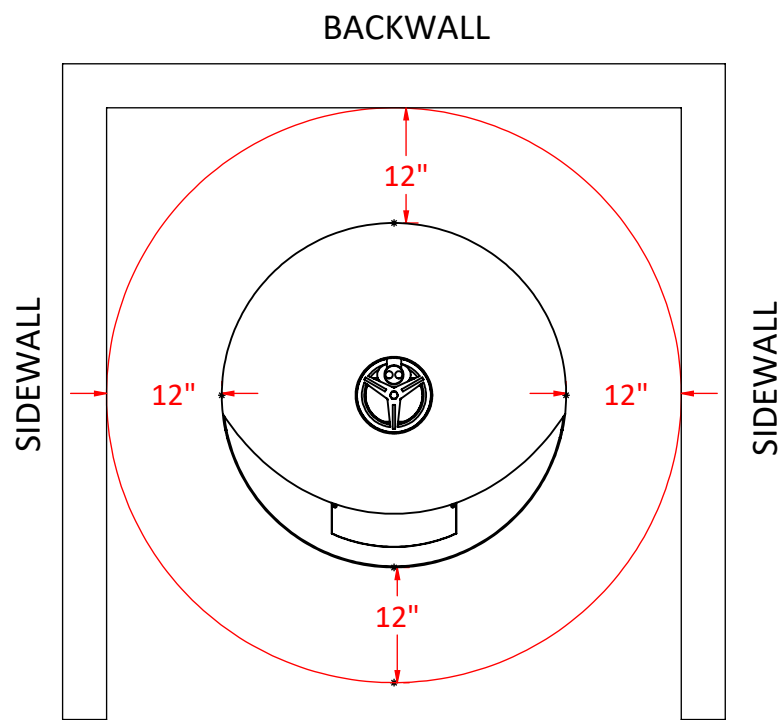
SIZE **B** SHEET 4 OF 7 DO NOT SCALE DRAWING



CLEARANCE TO COMBUSTIBLES AT WALL TERMINATION



CLEARANCE TO COMBUSTIBLES AT CEILING/ROOF



CLEARANCE TO COMBUSTIBLES AROUND FIREPLACE BODY

- CLEARANCE TO COMBUSTIBLES:**
- 12" from floor to the bottom of the fireplace.
 - A minimum 12" distance between a combustible wall and fireplace body is required.
 - 1" where the anchor or flue crosses the ceiling/roof.
 - 1" where the chimney system terminates at wall outlet.

VITA | Fireplaces

**AIDAN Single-Sided
Suspended Gas Fireplace**
North American Designed &
Manufactured by:

CF + D

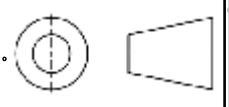
custom fireplace design
5230 Harvester Rd. Unit # 2
Burlington, Ontario Canada L7L 4X4
Phone: 905 681-3070 Fax: 905 681-8697

PROPRIETARY AND CONFIDENTIAL

THE INFORMATION CONTAINED IN THIS DRAWING IS THE SOLE PROPERTY OF CUSTOM FIREPLACE DESIGN. ANY REPRODUCTION IN PART OR AS A WHOLE WITHOUT THE WRITTEN PERMISSION OF CUSTOM FIREPLACE DESIGN IS PROHIBITED.

UNLESS OTHERWISE SPECIFIED

DIMENSIONS ARE IN INCHES
TOLERANCES:
FRACTIONAL ± 1/16
ANGULAR: MACH ± 1° BEND ± 0.5°
TWO PLACE DECIMAL ± 0.01
THREE PLACE DECIMAL ± 0.005



PROJECT
AIDAN Single-Sided | Suspended Gas
Fireplace

PART NUMBER	REV
	0

DESCRIPTION
Clearance to Combustibles

	NAME	DATE (mm/dd/yyyy)
DRAWN	mpanchal	2020-06-17
CHECKED	MV	2020-06-10
APPROVED	--	NA

SIZE **B** SHEET 5 OF 7 DO NOT SCALE DRAWING

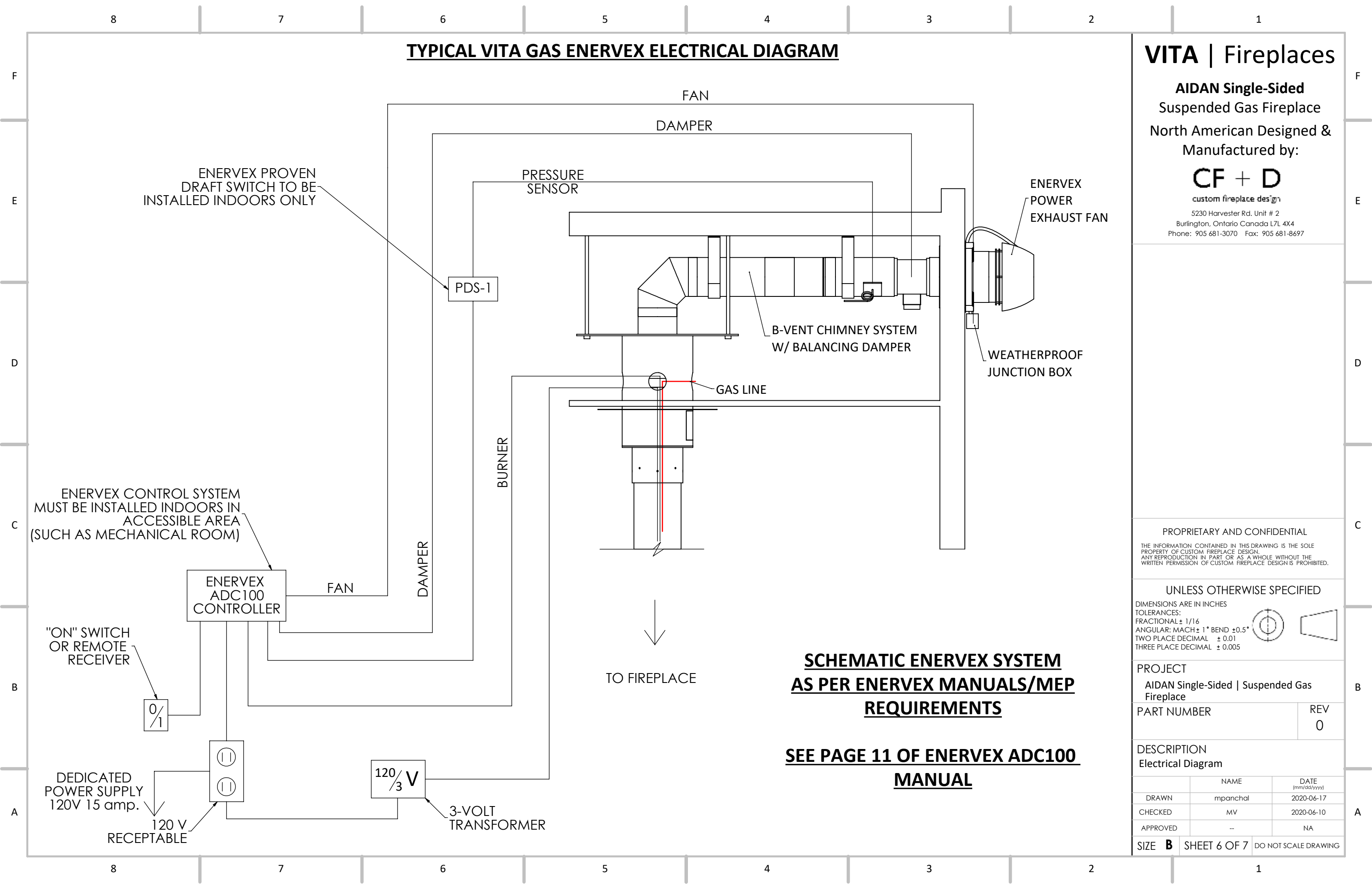
TYPICAL VITA GAS ENERVEX ELECTRICAL DIAGRAM

VITA | Fireplaces

**AIDAN Single-Sided
Suspended Gas Fireplace**
North American Designed &
Manufactured by:

CF + D
custom fireplace design

5230 Harvester Rd. Unit # 2
Burlington, Ontario Canada L7L 4X4
Phone: 905 681-3070 Fax: 905 681-8697



ENERVEX CONTROL SYSTEM
MUST BE INSTALLED INDOORS IN
ACCESSIBLE AREA
(SUCH AS MECHANICAL ROOM)

ENERVEX PROVEN
DRAFT SWITCH TO BE
INSTALLED INDOORS ONLY

**SCHEMATIC ENERVEX SYSTEM
AS PER ENERVEX MANUALS/MEP
REQUIREMENTS**

**SEE PAGE 11 OF ENERVEX ADC100
MANUAL**

PROPRIETARY AND CONFIDENTIAL

THE INFORMATION CONTAINED IN THIS DRAWING IS THE SOLE
PROPERTY OF CUSTOM FIREPLACE DESIGN.
ANY REPRODUCTION IN PART OR AS A WHOLE WITHOUT THE
WRITTEN PERMISSION OF CUSTOM FIREPLACE DESIGN IS PROHIBITED.

UNLESS OTHERWISE SPECIFIED

DIMENSIONS ARE IN INCHES
TOLERANCES:
FRACTIONAL ± 1/16
ANGULAR: MACH ± 1° BEND ± 0.5°
TWO PLACE DECIMAL ± 0.01
THREE PLACE DECIMAL ± 0.005

PROJECT
AIDAN Single-Sided | Suspended Gas
Fireplace

PART NUMBER	REV
	0

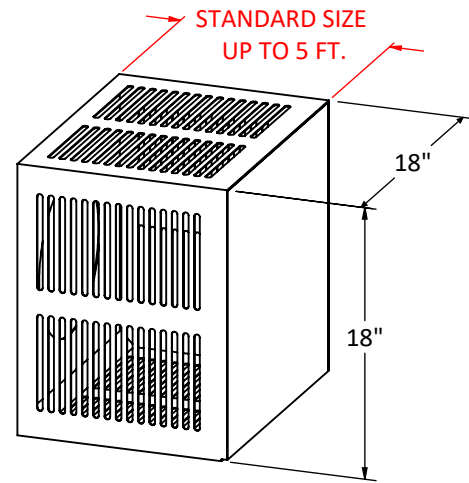
DESCRIPTION
Electrical Diagram

	NAME	DATE (mm/dd/yyyy)
DRAWN	mpanchal	2020-06-17
CHECKED	MV	2020-06-10
APPROVED	--	NA

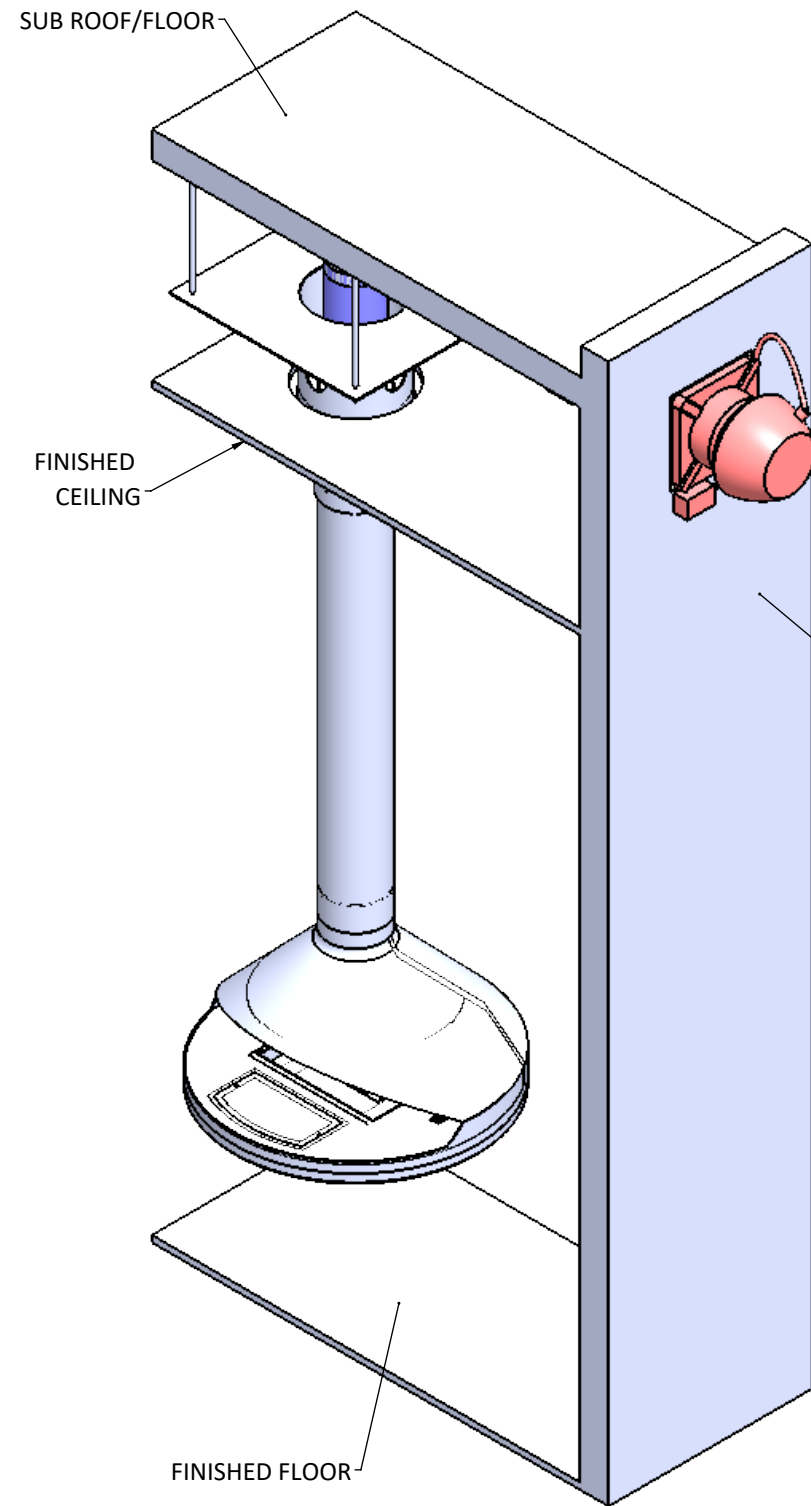
SIZE **B** SHEET 6 OF 7 DO NOT SCALE DRAWING

8 7 6 5 4 3 2 1

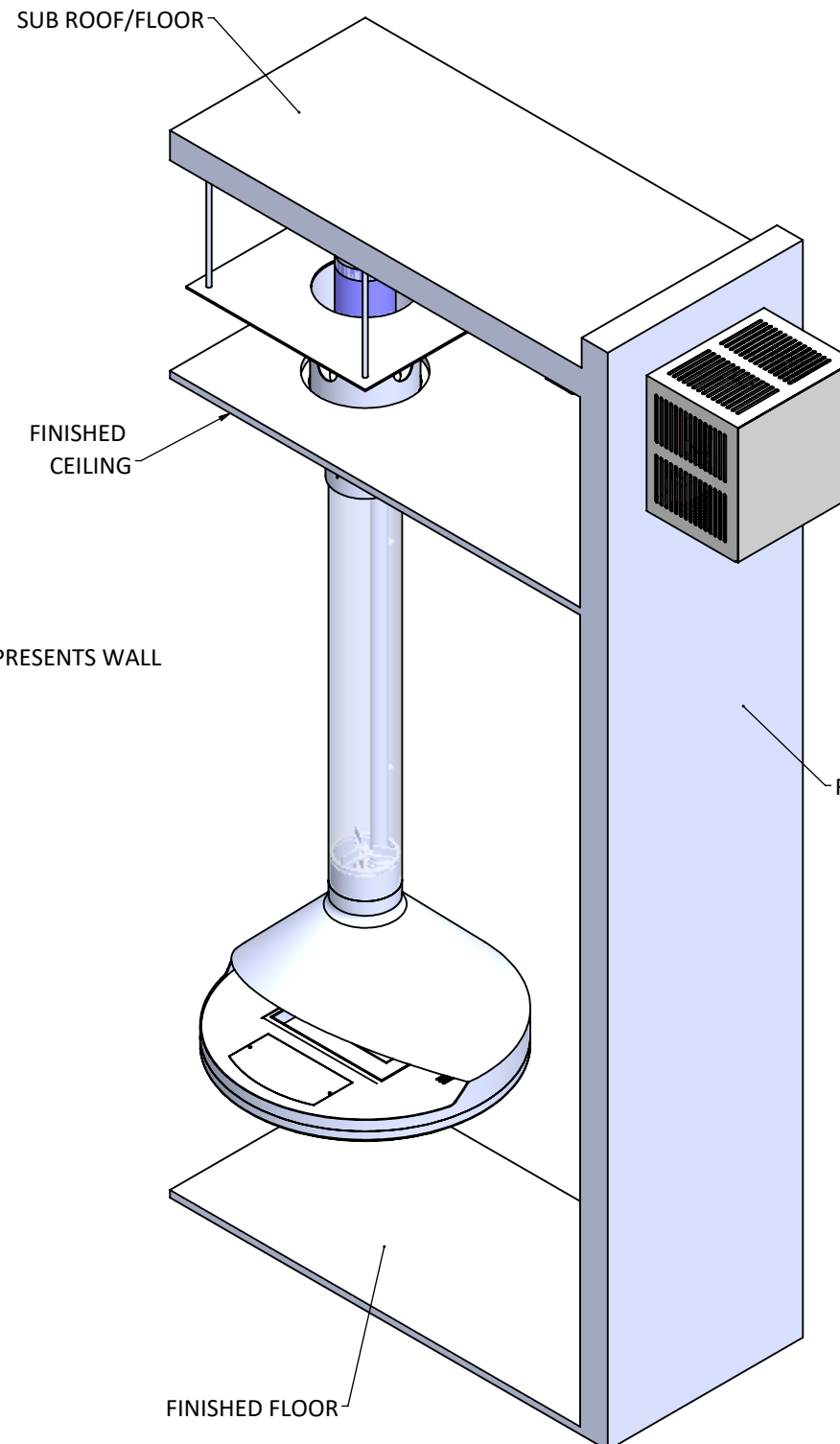
OPTIONAL DECORATIVE CHIMNEY COVER (SQUARE)



OPTIONAL DECORATIVE CHIMNEY COVER (SQUARE)



WITHOUT DECORATIVE CHIMNEY COVER



WITH DECORATIVE CHIMNEY COVER

VITA | Fireplaces

AIDAN Single-Sided
Suspended Gas Fireplace
North American Designed &
Manufactured by:

CF + D

custom fireplace design

5230 Harvester Rd. Unit # 2
Burlington, Ontario Canada L7L 4X4
Phone: 905 681-3070 Fax: 905 681-8697

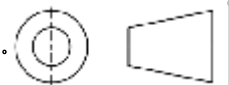
Shown with Standard 9 ft. Flat Ceiling Application & Gas Burner Custom Lengths & Anchor Options Available

PROPRIETARY AND CONFIDENTIAL

THE INFORMATION CONTAINED IN THIS DRAWING IS THE SOLE PROPERTY OF CUSTOM FIREPLACE DESIGN. ANY REPRODUCTION IN PART OR AS A WHOLE WITHOUT THE WRITTEN PERMISSION OF CUSTOM FIREPLACE DESIGN IS PROHIBITED.

UNLESS OTHERWISE SPECIFIED

DIMENSIONS ARE IN INCHES
TOLERANCES:
FRACTIONAL ± 1/16
ANGULAR: MACH ± 1° BEND ± 0.5°
TWO PLACE DECIMAL ± 0.01
THREE PLACE DECIMAL ± 0.005



PROJECT

AIDAN Single-Sided | Suspended Gas Fireplace

PART NUMBER

REV
0

DESCRIPTION

Optional Decorative Cover

	NAME	DATE (mm/dd/yyyy)
DRAWN	mpanchal	2020-06-17
CHECKED	MV	2020-06-10
APPROVED	--	NA

SIZE **B** SHEET 7 OF 7 DO NOT SCALE DRAWING

8 7 6 5 4 3 2 1