



*The image shown here is for design purpose only

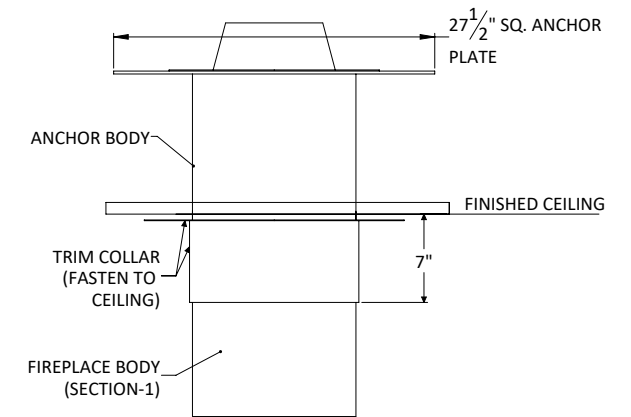


The fireplace has been tested and certified to meet the standards of UL 737- Standard for Fireplace Stoves. & CAN/ULC -S610 - Standard for Factory-Built Fireplace Systems. Certified Under – ICC ES PMG-1574

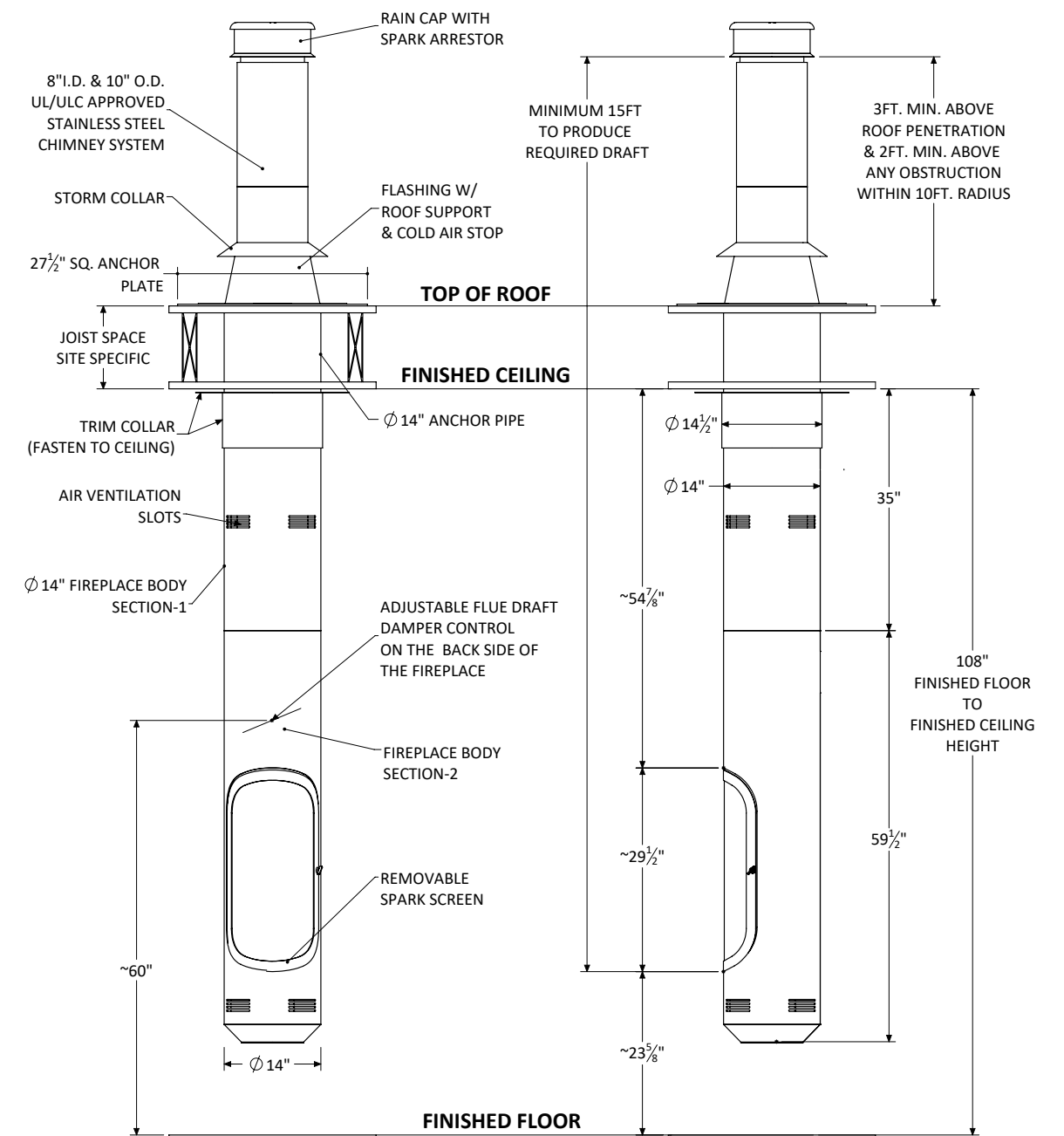
- For use with Solid wood fuel only.
- UL/ULC Approved Stainless Steel Chimney System
- All Standard fireplaces are painted in a High heat factory matte black finish.
- All dimensions are in inches.
- Exact measurements may vary $\pm 1/4"$.
- Custom integral grate assembly.
- Custom removable spark protection screen.
- Adjustable flue draft damper control.
- The height of the chimney vent must extend a minimum of 3 ft. above the roof exit & a minimum of 2ft. above any obstruction within 10ft. radius.
- A minimum of 15ft. from fireplace opening to the top of chimney is required for stronger drafts.

- Optional decorative chimney cover available at an add'l cost.
 - Custom anchor options available at an add'l cost.
- CLEARANCE TO COMBUSTIBLES**
1. A minimum of 36" from the combustible materials and/or walls around the fireplace open side and 18" around closed side is required. 36" all around if a rotation device is used.
 2. 2" around the chimney system & fireplace body section-1 & 18" around Fireplace Body Section-2 is required
 3. A minimum of 18" of non-combustible floor material from the fireplace opening and 8" around the rest of the fireplace close side including the portion underneath is required.
 4. The bottom of the fireplace shall be at least 12" from the floor.

Standard 9ft. Ceiling Application approx. weights	
Flat Anchor	80 lbs.
Fireplace body (Section-1)	75 lbs.
Fireplace body (Section-2)	200 lbs.
Total Standard Fireplace	355 lbs.



STANDARD FLAT ANCHOR



Shown with standard 9 ft. ceiling application and flat anchor option.