

# VITA | Fireplaces

North American Designed & Manufactured by **CF + D** | custom fireplace design



\*The image shown here is for design purpose only

## AIDAN Single-Sided | Suspended Wood Burning Fireplace



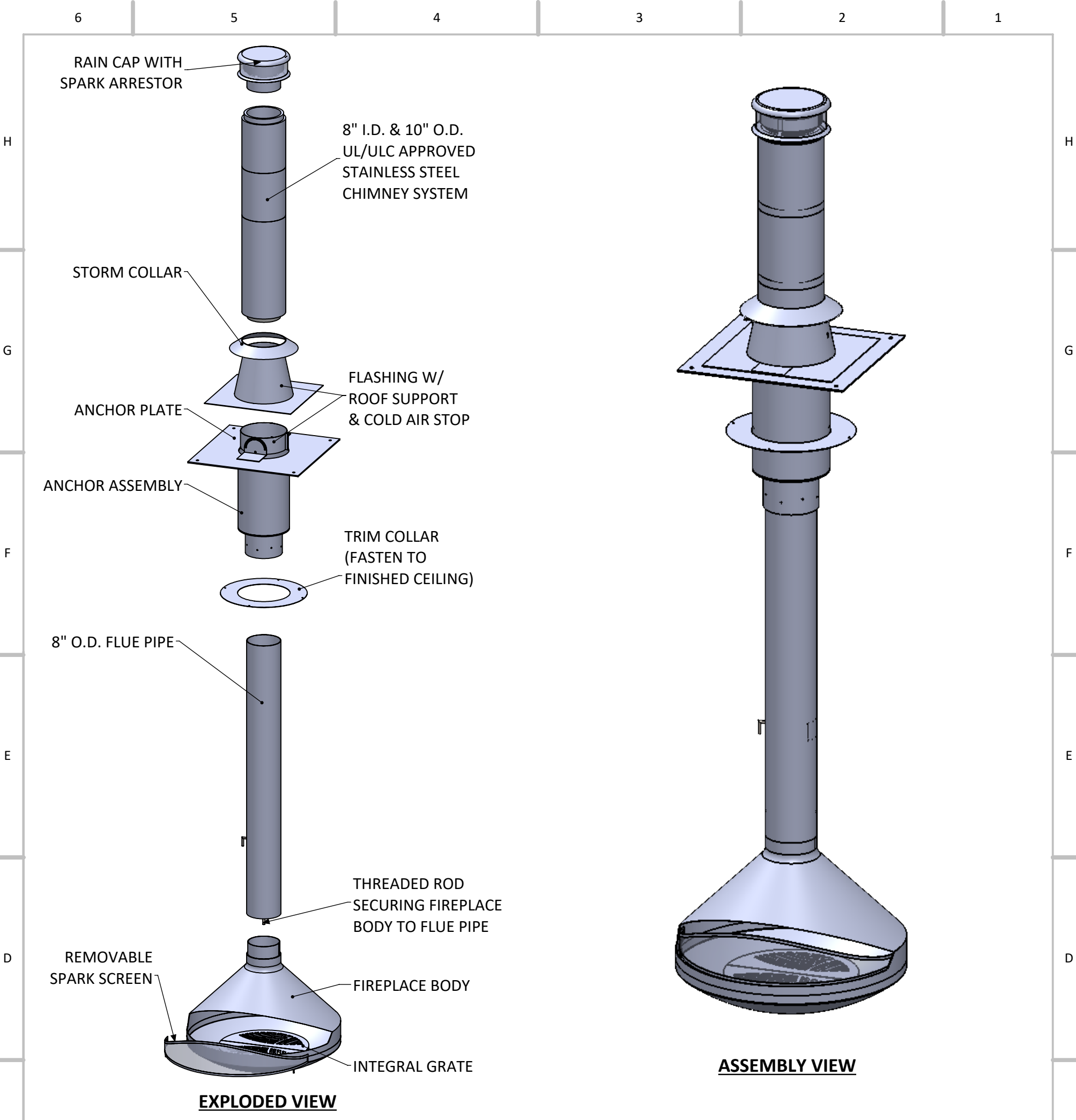
The fireplace has been tested and certified to meet the standards of UL 737-Standard for Fireplace Stoves. & CAN/ULC - S610- Standard for Factory-Built Fireplace Systems. Certified Under - ICC-ES PMG-1574

### PRODUCT LAYOUT PACKAGE

2022-02-21

**CF + D** | custom fireplace design

[www.customfireplacedesign.com](http://www.customfireplacedesign.com)



**AIDAN Single-Sided | Suspended Wood Burning Fireplace**  
Product Information

- For use with Solid wood fuel only.
- UL/ULC Approved Stainless Steel Chimney System
- All Standard fireplaces are painted in a High heat factory matte black finish.
- All dimensions are in inches.
- Exact measurements may vary  $\pm 1/4"$ .
- Custom integral grate assembly.
- Custom removable spark protection screen.
- Adjustable flue draft damper control.
- The height of the chimney vent must extend a minimum of 3 ft. above the roof exit & a minimum of 2ft. above any obstruction within 10ft. radius.
- A minimum of 15ft. from fireplace opening to the top of chimney is required for stronger drafts.

- Optional decorative chimney cover available at an add'l cost.
- Custom anchor options available at an add'l cost.

STANDARD PRODUCT WEIGHTS		
SR. NO.	COMPONENT REFERENCE	WEIGHT
1	ANCHOR ( $\phi$ 12" x 25" Long)	85 lbs. approx.
2	FLUE ( $\phi$ 8" x 67" Long)	60 lbs. approx.
3	FIREPLACE BODY	165 lbs. approx.
TOTAL FIREPLACE WEIGHT (FOR 9 FT. CEILING APPLICATION)		310 lbs. approx.

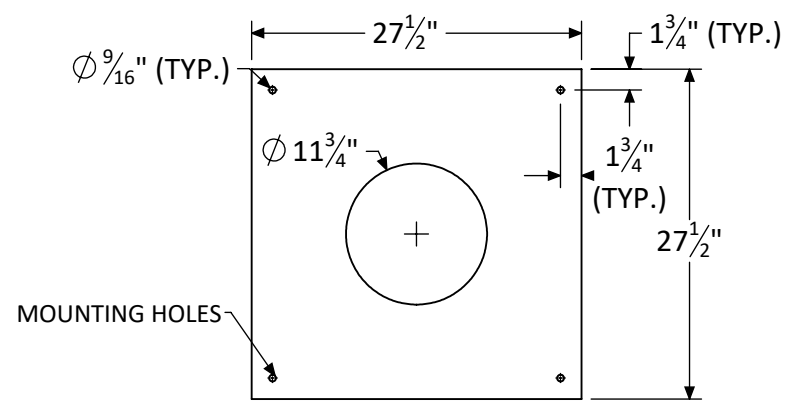
\*Each add'l. 1 ft. of flue pipe weighs : approx. 11 lbs.  
 \*Each add'l. 1 ft. of anchor pipe weighs : approx. 17 lbs.

North American Designed & Manufactured by:  
**CF + D | custom fireplace design**

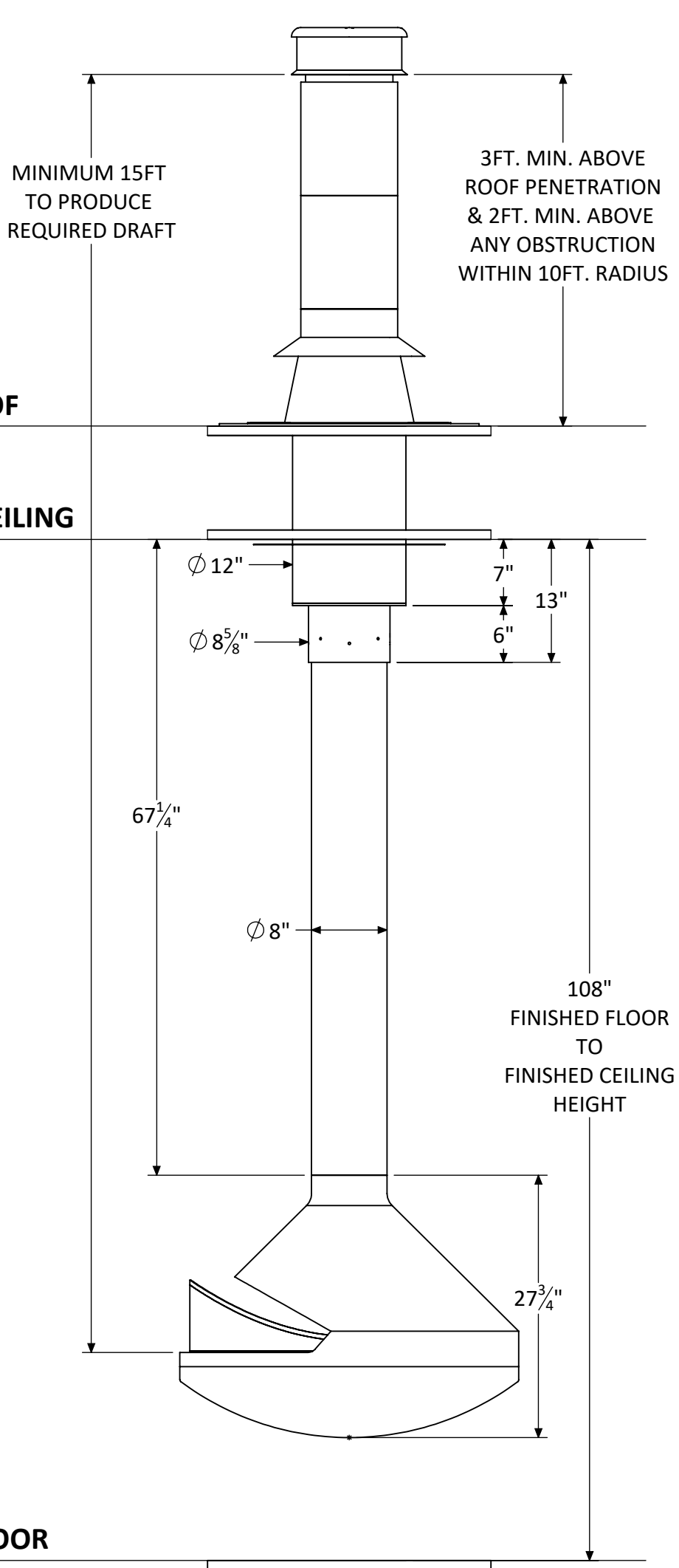
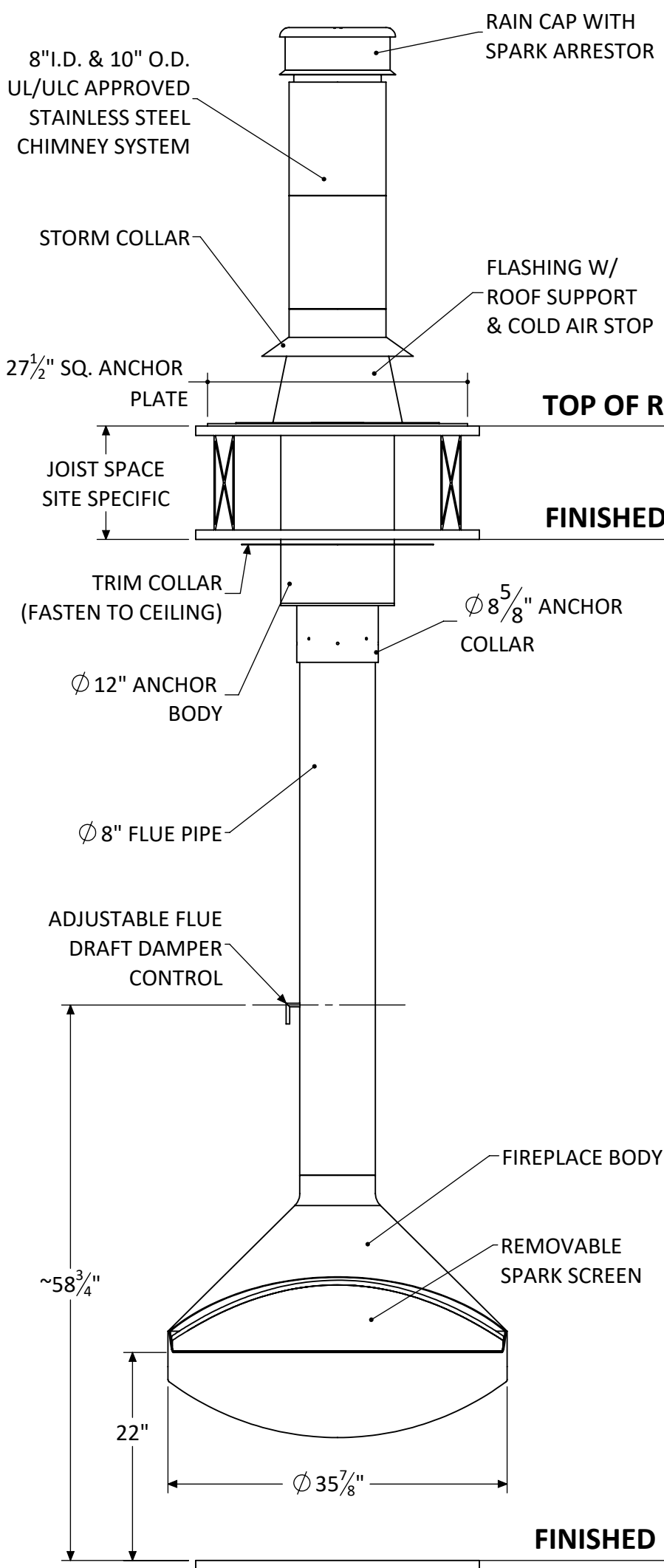
5230 Harvester Rd. Unit # 2 Burlington, Ontario Canada L7L 4X4  
 Phone: 905 681-3070 Fax: 905 681-8697

PROPRIETARY AND CONFIDENTIAL  
 THE INFORMATION CONTAINED IN THIS DRAWING IS THE SOLE PROPERTY OF CUSTOM FIREPLACE DESIGN.  
 ANY REPRODUCTION IN PART OR AS A WHOLE WITHOUT THE WRITTEN PERMISSION OF CUSTOM FIREPLACE DESIGN IS PROHIBITED.

PROJECT AIDAN Single-Sided   Suspended Wood Burning Fireplace		REV 0
UNLESS OTHERWISE SPECIFIED		DESCRIPTION Assembly View
DIMENSIONS ARE IN INCHES		NAME
TOLERANCES:		
FRACTIONAL $\pm 1/16$		DATE (mm/dd/yyyy)
ANGULAR: MACH $\pm 1^\circ$ BEND $\pm 0.5^\circ$		DRAWN Maulik Panchal
TWO PLACE DECIMAL $\pm 0.01$		CHECKED MV
THREE PLACE DECIMAL $\pm 0.005$		APPROVED --
SIZE <b>B</b> SHEET 2 OF 6 DO NOT SCALE DRAWING		NA



**STANDARD ANCHOR PLATE- 1/4" THICK.**

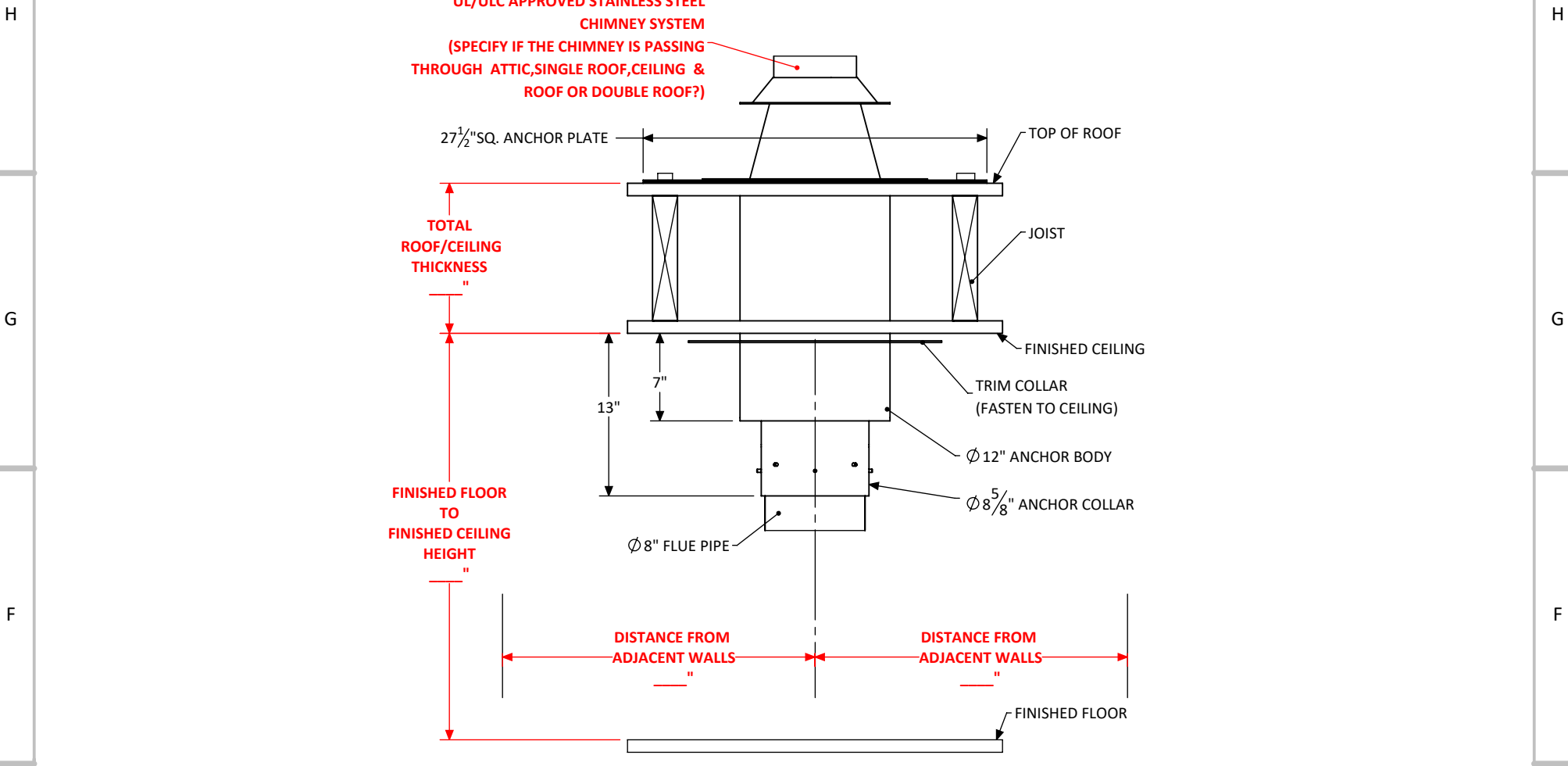


North American Designed & Manufactured by:  
**CF + D | custom fireplace design**  
 5230 Harvester Rd. Unit # 2 Burlington, Ontario Canada L7L 4X4  
 Phone: 905 681-3070 Fax: 905 681-8697

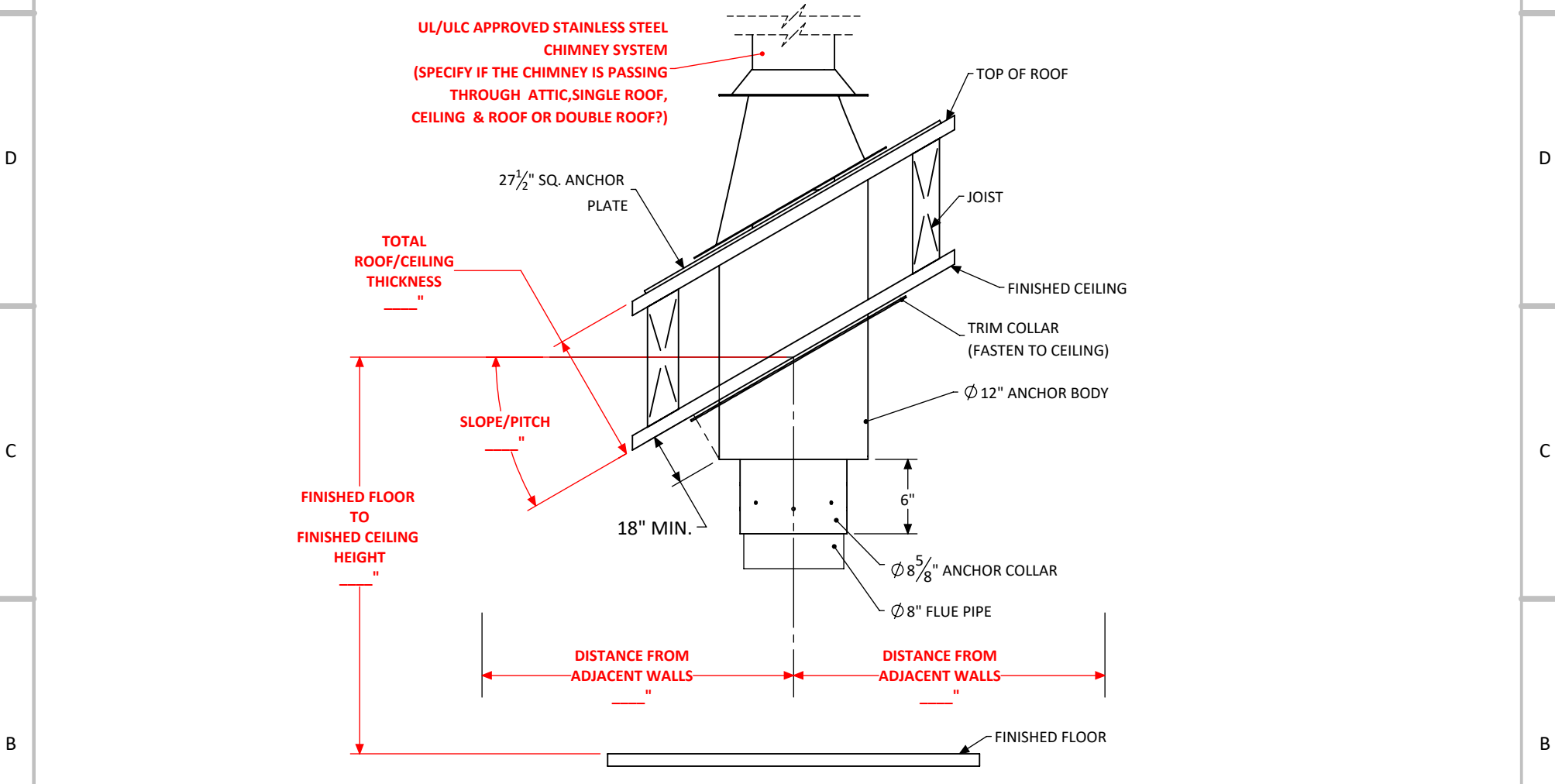
PROJECT AIDAN Single-Sided   Suspended Wood Burning Fireplace		REV 0
UNLESS OTHERWISE SPECIFIED		DESCRIPTION Specifications
DIMENSIONS ARE IN INCHES		NAME
TOLERANCES:		DATE (mm/dd/yyyy)
FRACTIONAL ± 1/16		DRAWN
ANGULAR: MACH ± 1° BEND ± 0.5°		CHECKED
TWO PLACE DECIMAL ± 0.01		APPROVED
THREE PLACE DECIMAL ± 0.005		
SIZE <b>B</b> SHEET 3 OF 6	DO NOT SCALE DRAWING	

PROPRIETARY AND CONFIDENTIAL  
 THE INFORMATION CONTAINED IN THIS DRAWING IS THE SOLE PROPERTY OF CUSTOM FIREPLACE DESIGN.  
 ANY REPRODUCTION IN PART OR AS A WHOLE WITHOUT THE WRITTEN PERMISSION OF CUSTOM FIREPLACE DESIGN IS PROHIBITED.

**CUSTOM ANCHOR OPTIONS AVAILABLE (PLEASE FILL IN THE BLANKS AS PER SITE SPECIFIC DETAILS)**



**OPTION A - FLAT ROOF DROP FROM ABOVE**



**OPTION B - SLOPED ROOF DROP FROM ABOVE**

North American Designed & Manufactured by:

**CF + D | custom fireplace design**

5230 Harvester Rd. Unit # 2 Burlington, Ontario Canada L7L 4X4  
Phone: 905 681-3070 Fax: 905 681-8697

PROJECT  
AIDAN Single-Sided | Suspended Wood Burning Fireplace

REV  
0

UNLESS OTHERWISE SPECIFIED

DESCRIPTION  
Anchor Options

DIMENSIONS ARE IN INCHES  
TOLERANCES:  
FRACTIONAL: ± 1/16  
ANGULAR: MACH ± 1° BEND ± 0.5°  
TWO PLACE DECIMAL ± 0.01  
THREE PLACE DECIMAL ± 0.005



	NAME	DATE (mm/dd/yyyy)
DRAWN	Maulik Panchal	2022-01-25
CHECKED	MV	2022-01-25

SIZE **B** SHEET 4 OF 6 DO NOT SCALE DRAWING

APPROVED  
--  
NA

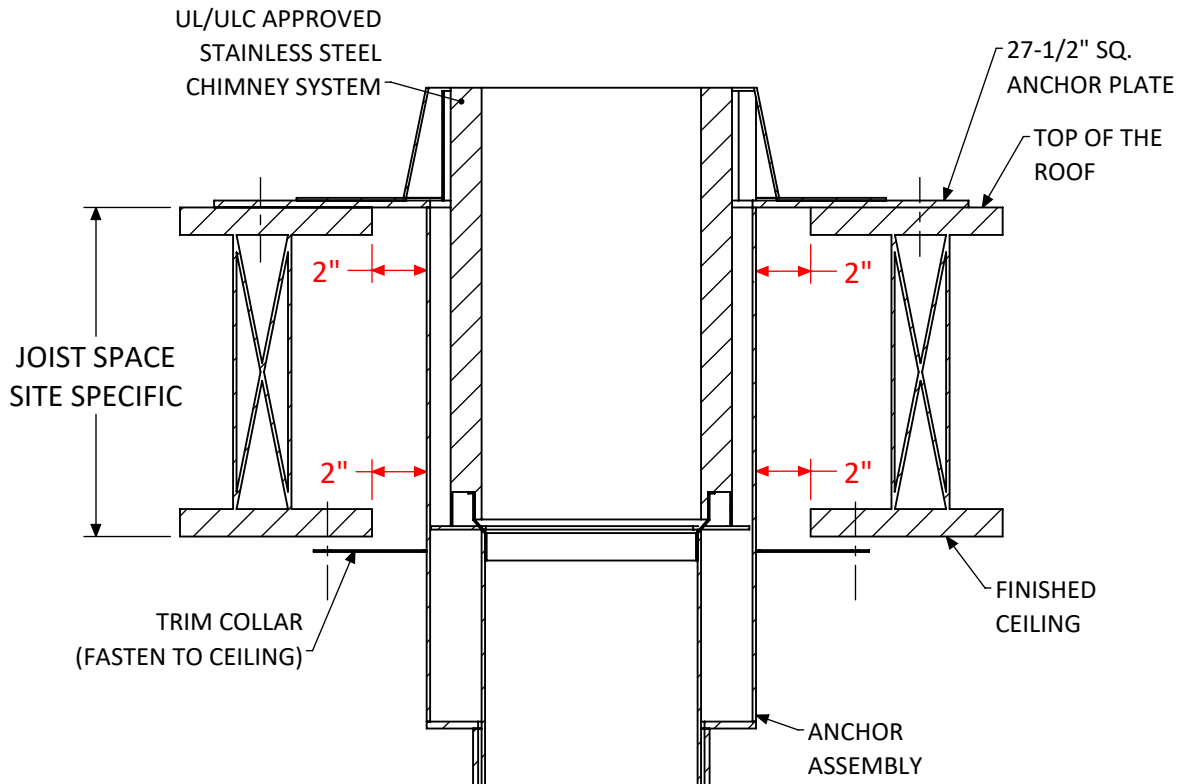
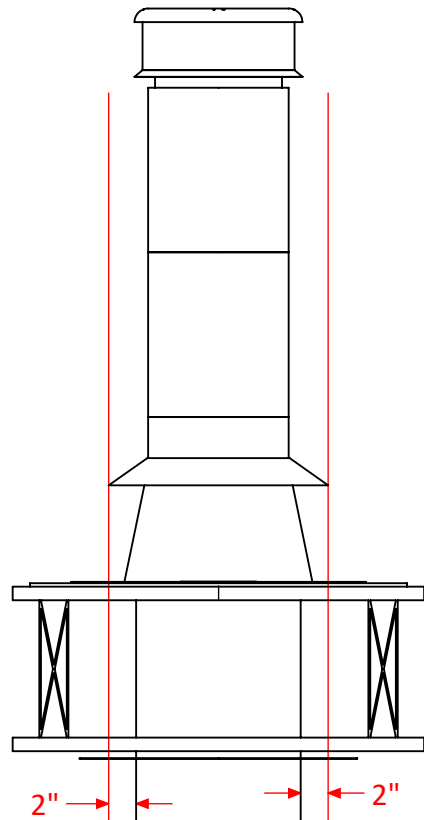
PROPRIETARY AND CONFIDENTIAL

THE INFORMATION CONTAINED IN THIS DRAWING IS THE SOLE PROPERTY OF CUSTOM FIREPLACE DESIGN. ANY REPRODUCTION IN PART OR AS A WHOLE WITHOUT THE WRITTEN PERMISSION OF CUSTOM FIREPLACE DESIGN IS PROHIBITED.

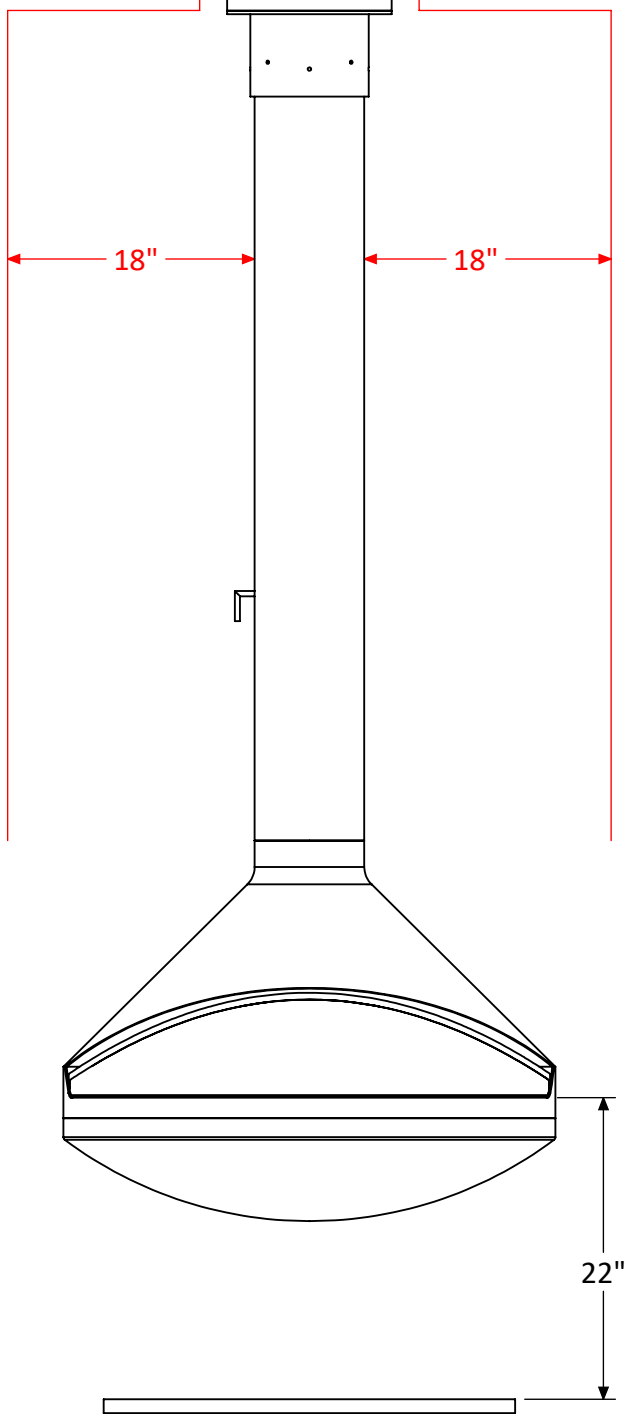


# CLEARANCE TO COMBUSTIBLES

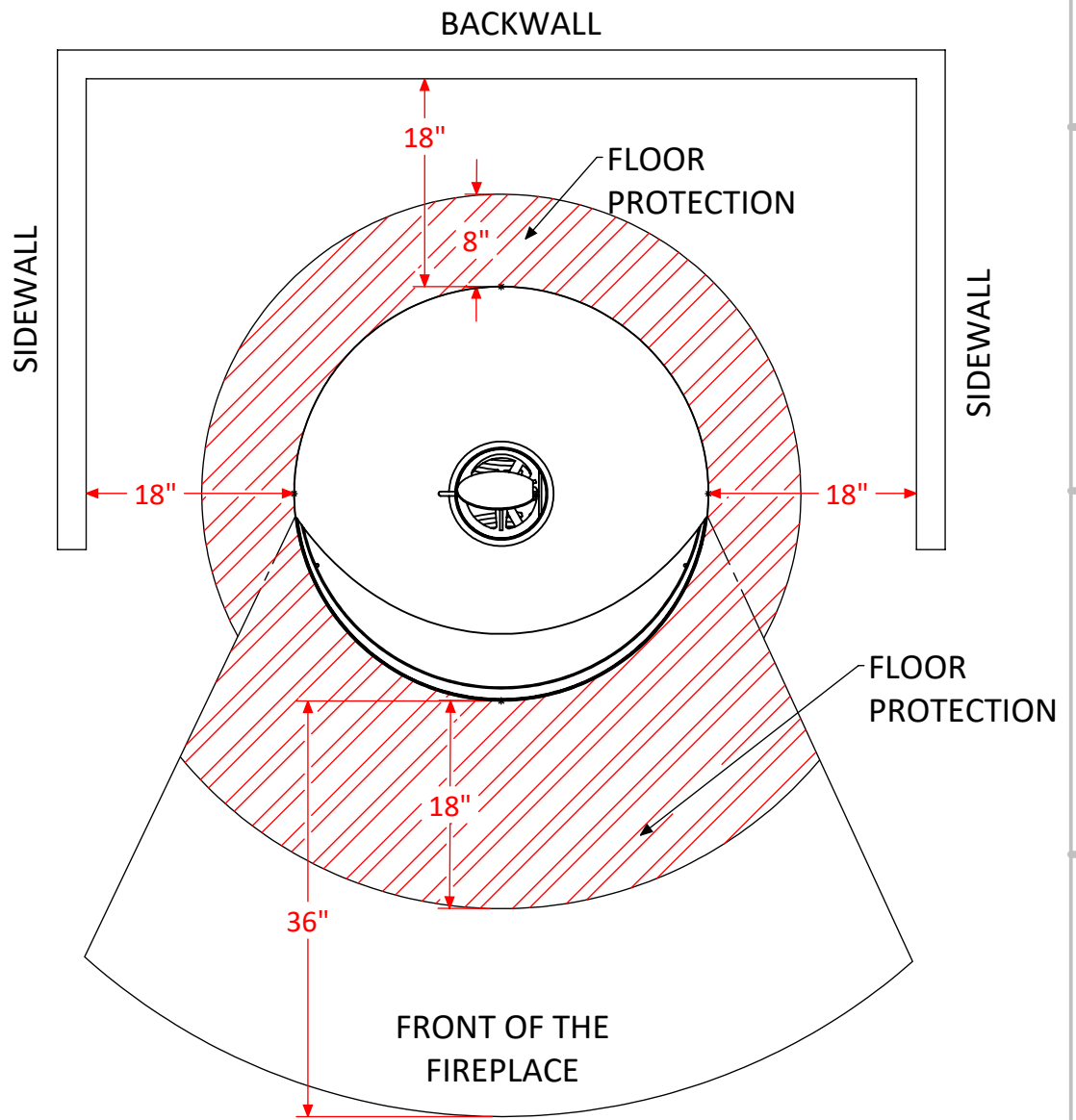
- A minimum of 36" from the combustible materials and/or walls around the fireplace open side and 18" around closed side is required. 36" all around the fireplace if rotation device is used.
- 2" around the chimney system & 18" around flue pipe is required.
- A minimum of 18" of non-combustible floor material from the fireplace opening and 8" around the rest of the fireplace close side including the portion underneath is required.
- The bottom lip of the fireplace opening shall be at least 22" from the floor.



**CLEARANCE TO COMBUSTIBLES AT CEILING AND ROOF**



**FRONT ELEVATION**



**TOP VIEW**

**CLEARANCE TO COMBUSTIBLES AROUND FIREPLACE BODY & FLOOR PROTECTION REQUIREMENTS**

North American Designed & Manufactured by:

**CF + D | custom fireplace design**

5230 Harvester Rd. Unit # 2 Burlington, Ontario Canada L7L 4X4  
Phone: 905 681-3070 Fax: 905 681-8697

PROJECT  
AIDAN Single-Sided | Suspended Wood Burning Fireplace

REV  
0

UNLESS OTHERWISE SPECIFIED

DESCRIPTION  
Clearance to Combustibles

DIMENSIONS ARE IN INCHES  
TOLERANCES:  
FRACTIONAL ± 1/16  
ANGULAR: MACH ± 1° BEND ± 0.5°  
TWO PLACE DECIMAL ± 0.01  
THREE PLACE DECIMAL ± 0.005

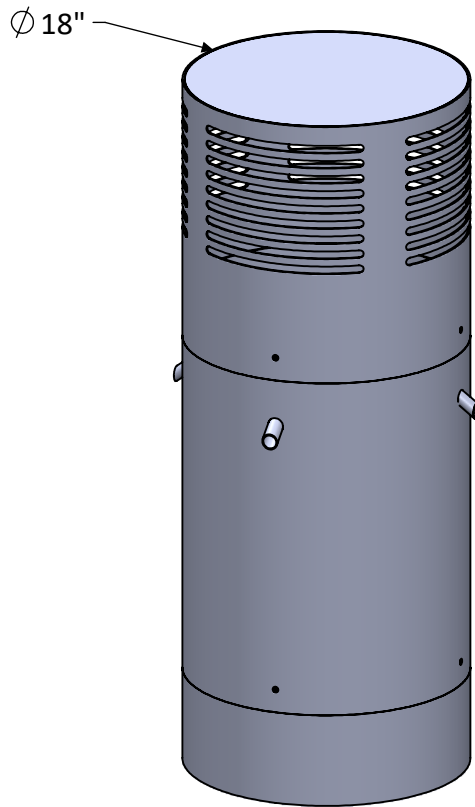
	NAME	DATE (mm/dd/yyyy)
DRAWN	Maulik Panchal	2022-02-21
CHECKED	MV	2022-02-21

SIZE B SHEET 5 OF 6 DO NOT SCALE DRAWING

APPROVED  
--  
NA

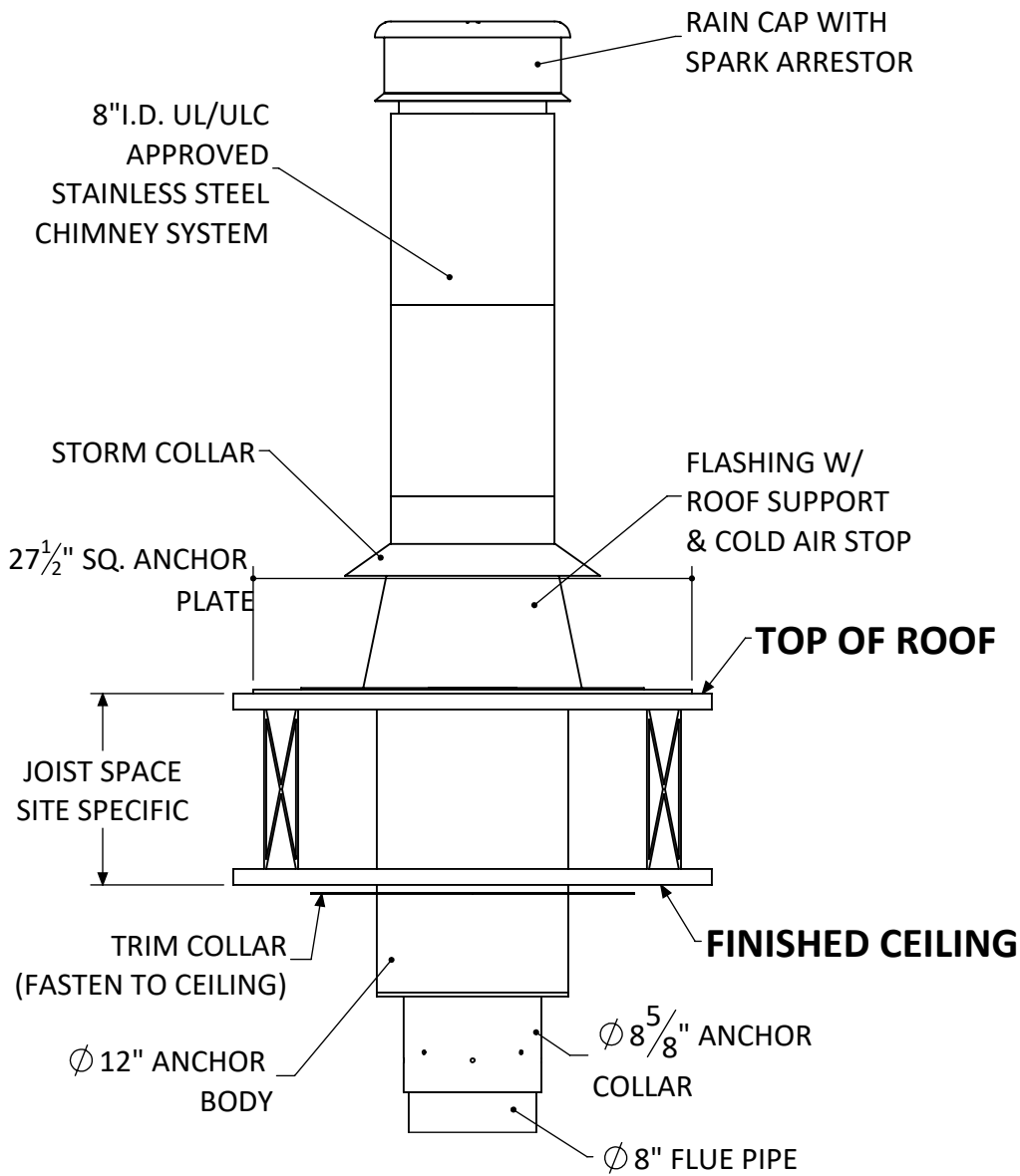
PROPRIETARY AND CONFIDENTIAL  
THE INFORMATION CONTAINED IN THIS DRAWING IS THE SOLE PROPERTY OF CUSTOM FIREPLACE DESIGN. ANY REPRODUCTION IN PART OR AS A WHOLE WITHOUT THE WRITTEN PERMISSION OF CUSTOM FIREPLACE DESIGN IS PROHIBITED.

## OPTIONAL DECORATIVE CHIMNEY COVER (ROUND)

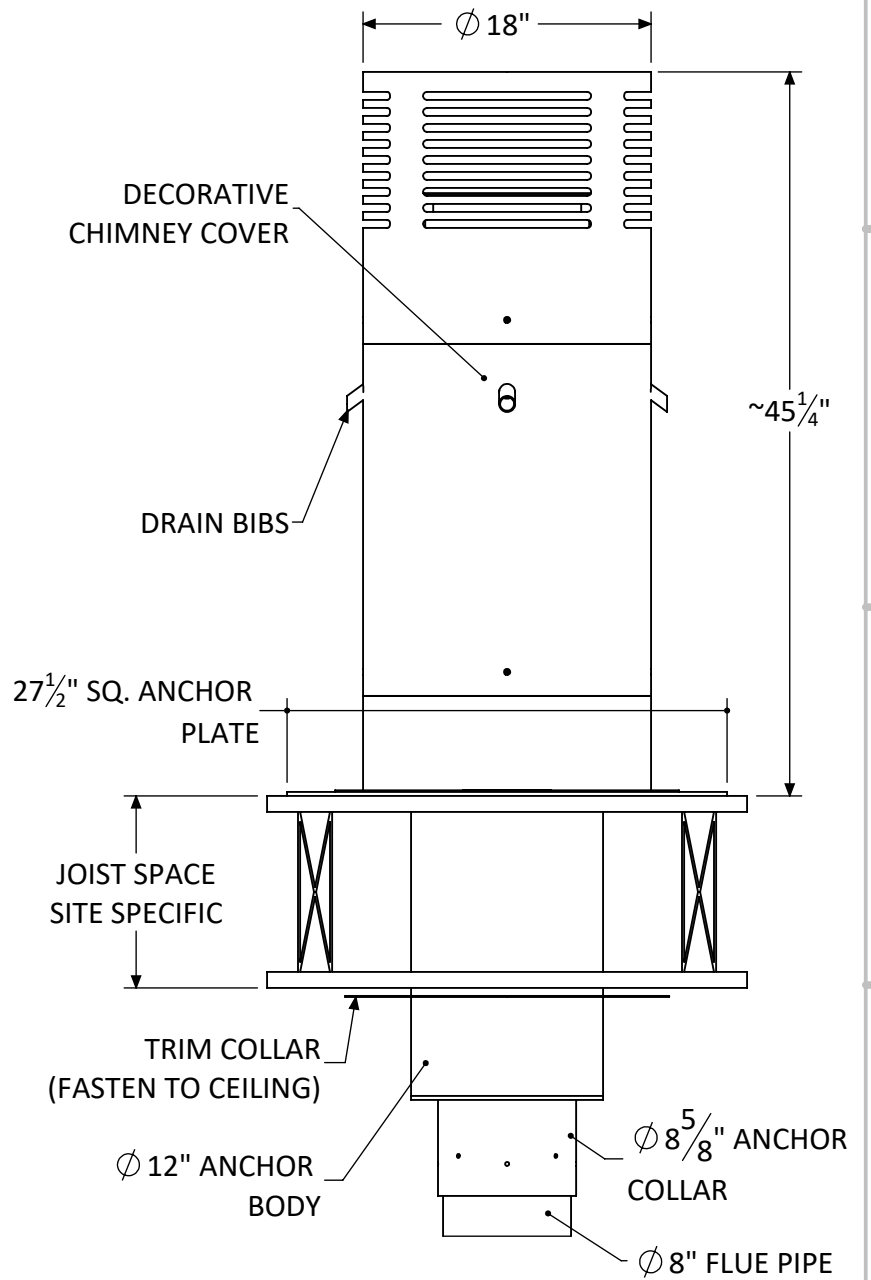


(STANDARD SIZE UP TO 5 FT.)

### WITHOUT DECORATIVE CHIMNEY COVER



### WITH DECORATIVE CHIMNEY COVER



North American Designed & Manufactured by:

**CF + D | custom fireplace design**

5230 Harvester Rd. Unit # 2 Burlington, Ontario Canada L7L 4X4  
Phone: 905 681-3070 Fax: 905 681-8697

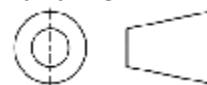
PROJECT  
AIDAN Single-Sided | Suspended Wood Burning Fireplace

REV  
0

UNLESS OTHERWISE SPECIFIED

DESCRIPTION  
Decorative Cover Options

DIMENSIONS ARE IN INCHES  
TOLERANCES:  
FRACTIONAL  $\pm 1/16$   
ANGULAR: MACH  $\pm 1^\circ$  BEND  $\pm 0.5^\circ$   
TWO PLACE DECIMAL  $\pm 0.01$   
THREE PLACE DECIMAL  $\pm 0.005$



	NAME	DATE (mm/dd/yyyy)
DRAWN	Maulik Panchal	2022-02-21
CHECKED	MV	2022-02-21

SIZE **B** SHEET 6 OF 6 DO NOT SCALE DRAWING

APPROVED  
--  
NA

PROPRIETARY AND CONFIDENTIAL  
THE INFORMATION CONTAINED IN THIS DRAWING IS THE SOLE PROPERTY OF CUSTOM FIREPLACE DESIGN.  
ANY REPRODUCTION IN PART OR AS A WHOLE WITHOUT THE WRITTEN PERMISSION OF CUSTOM FIREPLACE DESIGN IS PROHIBITED.