

VITA | Fireplaces

North American Designed & Manufactured by **CF + D** | custom fireplace design



*The image shown here is for design purpose only

CALLISTA Single-Sided | Suspended Wood Burning Fireplace



The fireplace has been tested and certified to meet the standards of UL 737-Standard for Fireplace Stoves. & CAN/ULC - S610- Standard for Factory-Built Fireplace Systems. Certified Under - ICC-ES PMG-1574

PRODUCT LAYOUT PACKAGE

2022-02-21

CF + D | custom fireplace design

www.customfireplacedesign.com

H

G

F

E

D

C

B

A

H

G

F

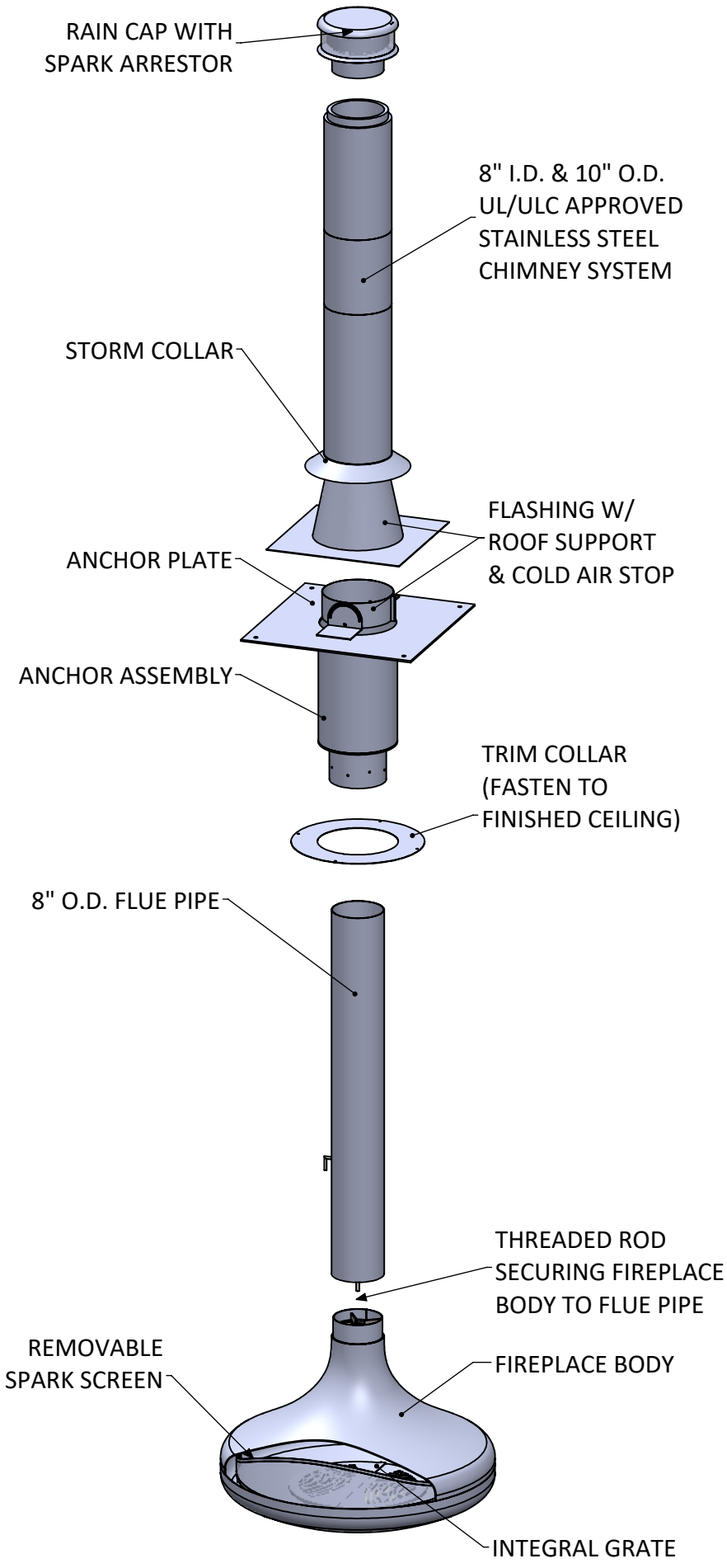
E

D

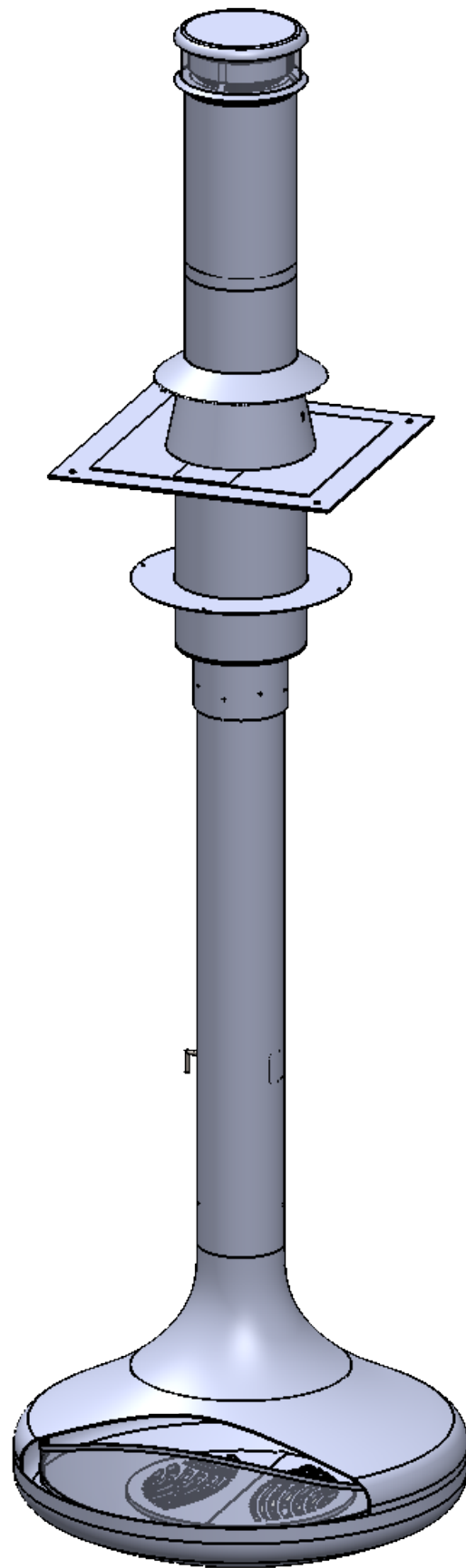
C

B

A



EXPLODED VIEW



ASSEMBLY VIEW

CALLISTA Single-Sided | Suspended Wood Burning Fireplace
Product Information

- For use with Solid wood fuel only.
- UL/ULC Approved Stainless Steel Chimney System
- All Standard fireplaces are painted in a High heat factory matte black finish.
- All dimensions are in inches.
- Exact measurements may vary $\pm 1/4"$.
- Custom integral grate assembly.
- Custom removable spark protection screen.
- Adjustable flue draft damper control.
- The height of the chimney vent must extend a minimum of 3 ft. above the roof exit & a minimum of 2ft. above any obstruction within 10ft. radius.
- A minimum of 15ft. from fireplace opening to the top of chimney is required for stronger drafts.

- Optional decorative chimney cover available at an add'l cost.
- Custom anchor options available at an add'l cost.

STANDARD PRODUCT WEIGHTS

SR. NO.	COMPONENT REFERENCE	WEIGHT
1	ANCHOR (ϕ 12"x25" lg.)	85 lbs. approx.
2	FLUE (ϕ 8"x67" lg.)	60 lbs. approx.
3	FIREPLACE BODY	200 lbs. approx.
TOTAL FIREPLACE WEIGHT (FOR 9 FT. CEILING APPLICATION)		345 lbs. approx.

*Each add'l. 1 ft. of flue pipe weighs : approx. 11 lbs.
 *Each add'l. 1 ft. of anchor pipe weighs : approx. 17 lbs.

North American Designed & Manufactured by:

CF + D | custom fireplace design

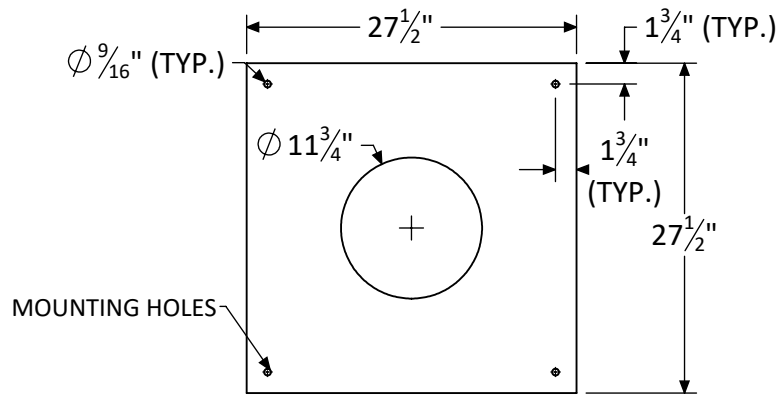
5230 Harvester Rd. Unit # 2 Burlington, Ontario Canada L7L 4X4
 Phone: 905 681-3070 Fax: 905 681-8697

PROJECT CALLISTA Single-Sided Suspended Wood Burning Fireplace		REV 0
UNLESS OTHERWISE SPECIFIED		DESCRIPTION Assembly View
DIMENSIONS ARE IN INCHES		NAME
TOLERANCES:		DATE (mm/dd/yyyy)
FRACTIONAL $\pm 1/16$		DRAWN Maulik Panchal
ANGULAR: MACH $\pm 1^\circ$ BEND $\pm 0.5^\circ$		CHECKED MV
TWO PLACE DECIMAL ± 0.01		APPROVED
THREE PLACE DECIMAL ± 0.005		DATE
SIZE B SHEET 2 OF 6	DO NOT SCALE DRAWING	NA

PROPRIETARY AND CONFIDENTIAL
 THE INFORMATION CONTAINED IN THIS DRAWING IS THE SOLE PROPERTY OF CUSTOM FIREPLACE DESIGN.
 ANY REPRODUCTION IN PART OR AS A WHOLE WITHOUT THE WRITTEN PERMISSION OF CUSTOM FIREPLACE DESIGN IS PROHIBITED.

H

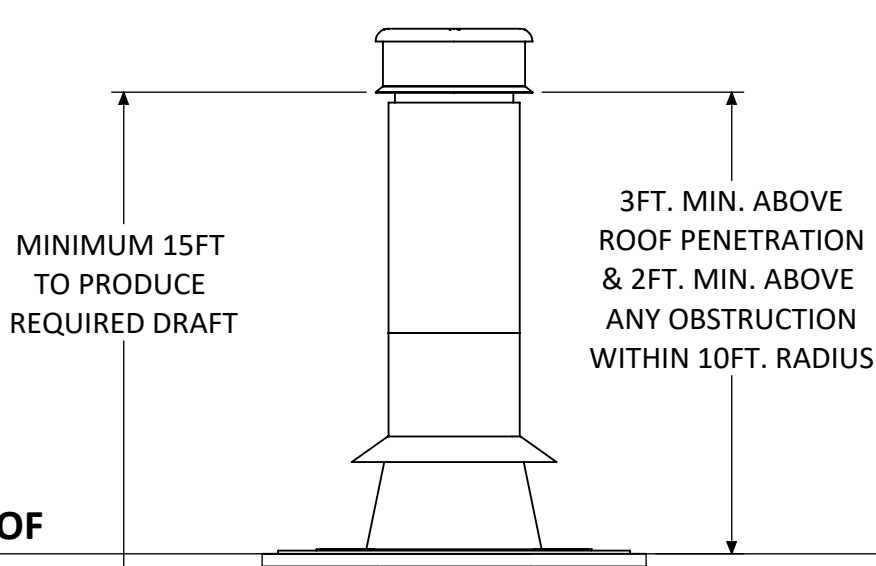
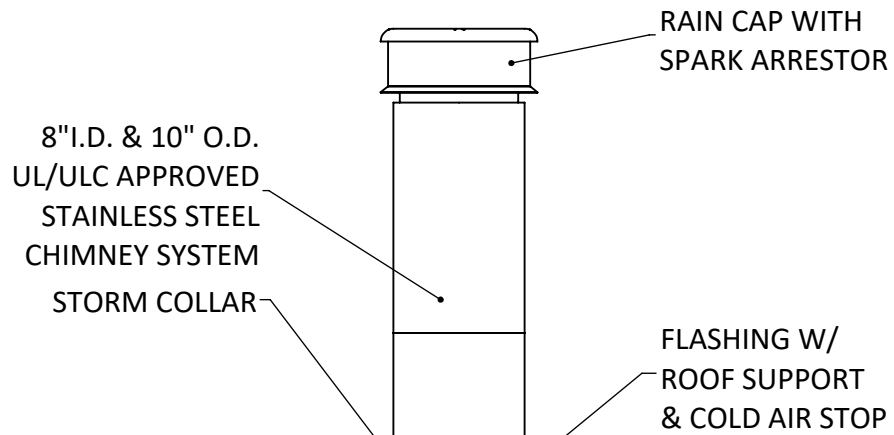
H



STANDARD ANCHOR PLATE- 1/4" THICK.

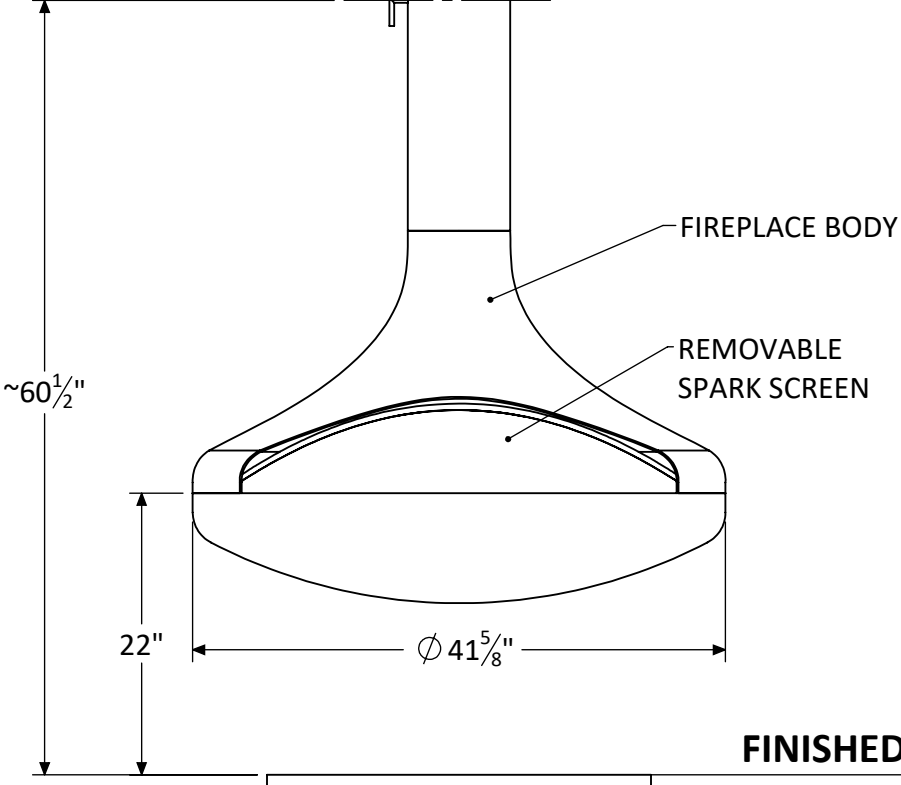
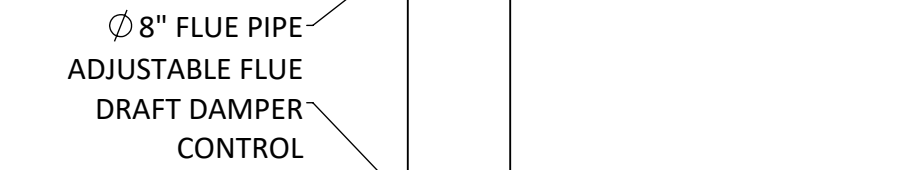
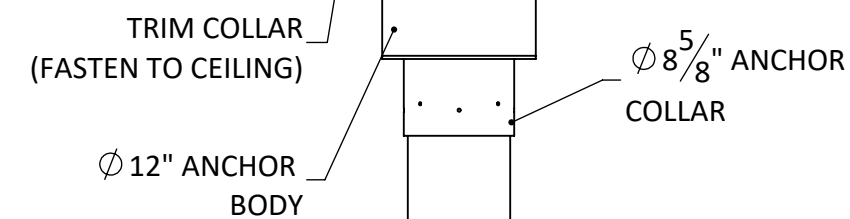
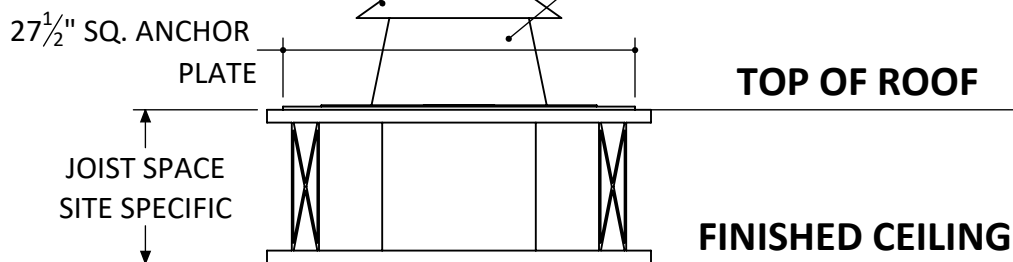
G

G

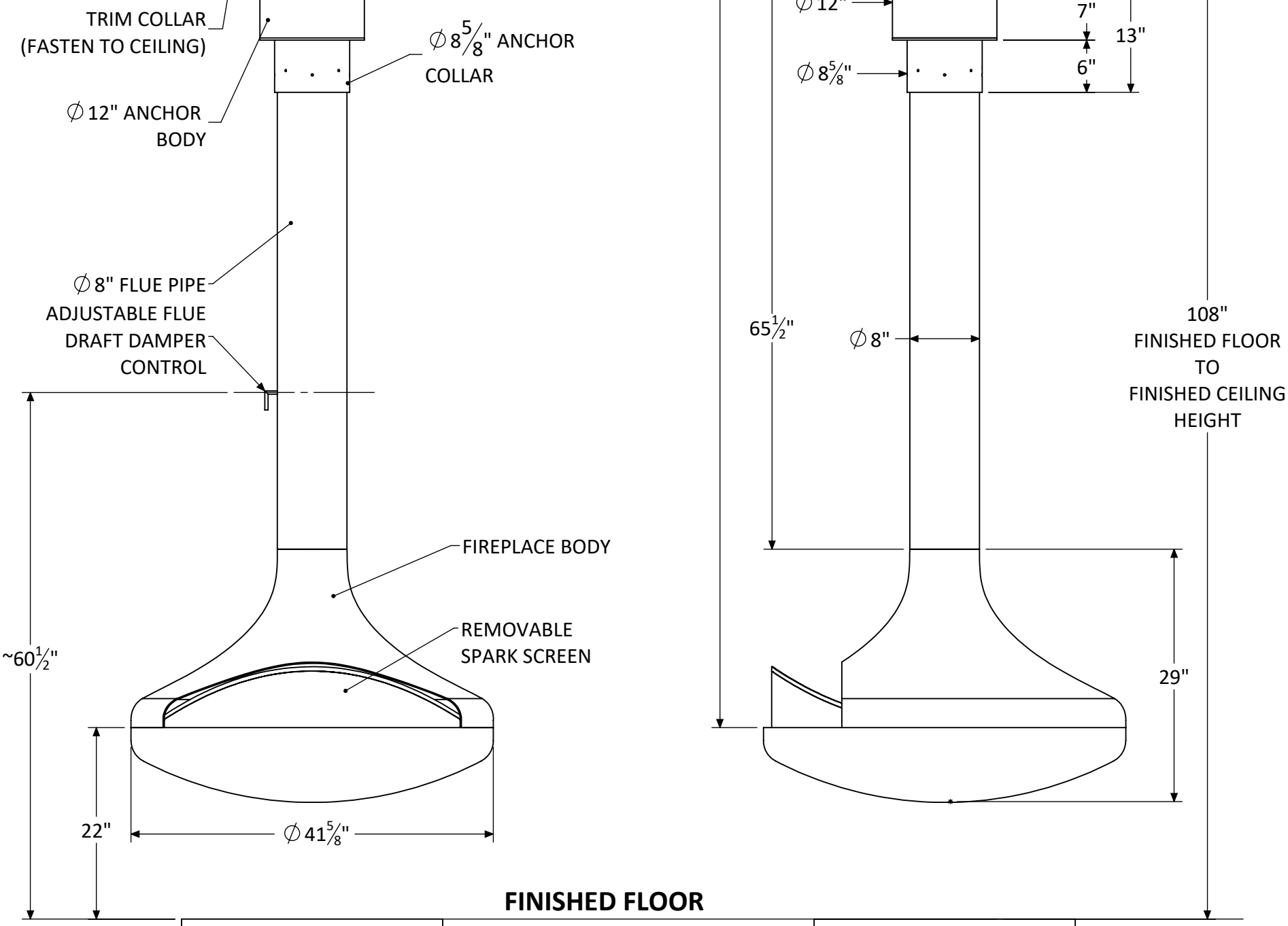


F

F



FINISHED FLOOR



E

E

D

D

C

C

B

B

A

A

North American Designed & Manufactured by:

CF + D | custom fireplace design

5230 Harvester Rd. Unit # 2 Burlington, Ontario Canada L7L 4X4
Phone: 905 681-3070 Fax: 905 681-8697

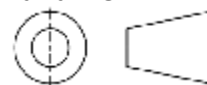
PROJECT
CALLISTA Single-Sided | Suspended Wood Burning Fireplace

REV
0

UNLESS OTHERWISE SPECIFIED

DESCRIPTION
Specifications

DIMENSIONS ARE IN INCHES
TOLERANCES:
FRACTIONAL ± 1/16
ANGULAR: MACH ± 1° BEND ± 0.5°
TWO PLACE DECIMAL ± 0.01
THREE PLACE DECIMAL ± 0.005

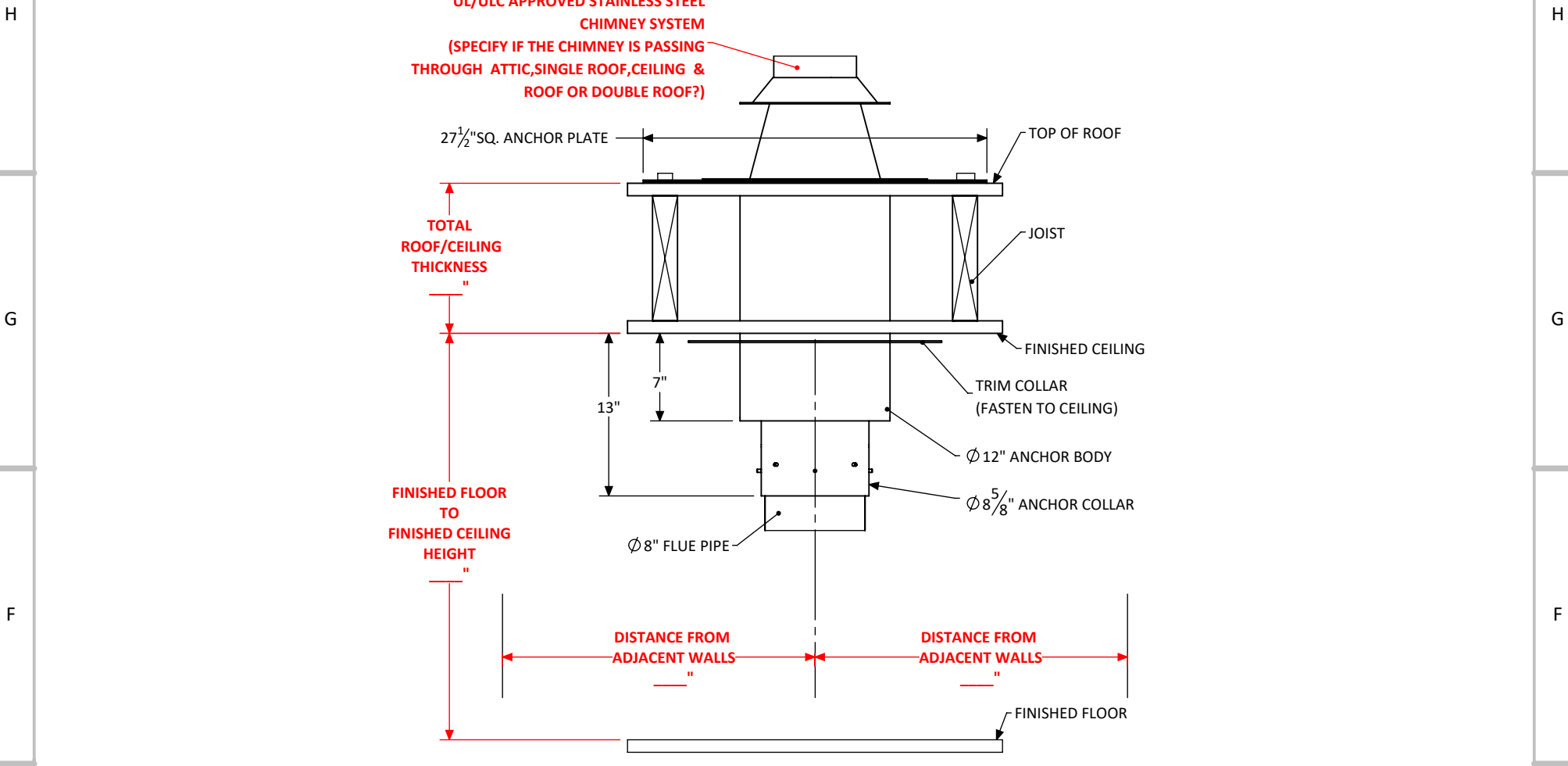


	NAME	DATE (mm/dd/yyyy)
DRAWN	Maulik Panchal	2022-02-21
CHECKED	MV	2022-02-21
APPROVED	--	NA

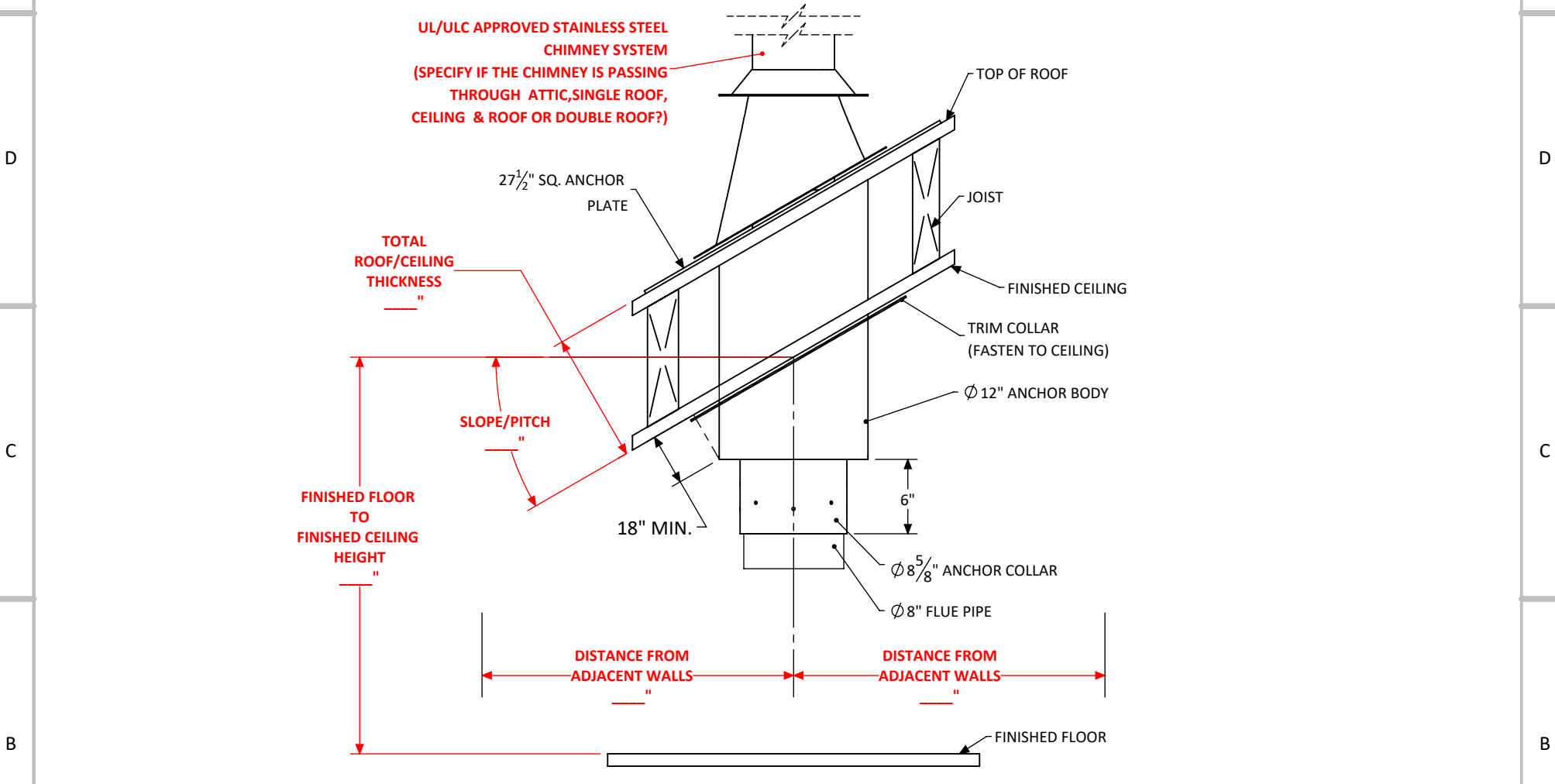
SIZE **B** SHEET 3 OF 6 DO NOT SCALE DRAWING

PROPRIETARY AND CONFIDENTIAL
THE INFORMATION CONTAINED IN THIS DRAWING IS THE SOLE PROPERTY OF CUSTOM FIREPLACE DESIGN.
ANY REPRODUCTION IN PART OR AS A WHOLE WITHOUT THE WRITTEN PERMISSION OF CUSTOM FIREPLACE DESIGN IS PROHIBITED.

CUSTOM ANCHOR OPTIONS AVAILABLE (PLEASE FILL IN THE BLANKS AS PER SITE SPECIFIC DETAILS)



OPTION A - FLAT ROOF DROP FROM ABOVE



OPTION B - SLOPED ROOF DROP FROM ABOVE

North American Designed & Manufactured by:

CF + D | custom fireplace design

5230 Harvester Rd. Unit # 2 Burlington, Ontario Canada L7L 4X4
Phone: 905 681-3070 Fax: 905 681-8697

PROJECT
CALLISTA Single-Sided | Suspended Wood Burning Fireplace

REV
0

UNLESS OTHERWISE SPECIFIED
DIMENSIONS ARE IN INCHES
TOLERANCES:
FRACTIONAL: ± 1/16
ANGULAR: MACH ± 1° BEND ± 0.5°
TWO PLACE DECIMAL ± 0.01
THREE PLACE DECIMAL ± 0.005

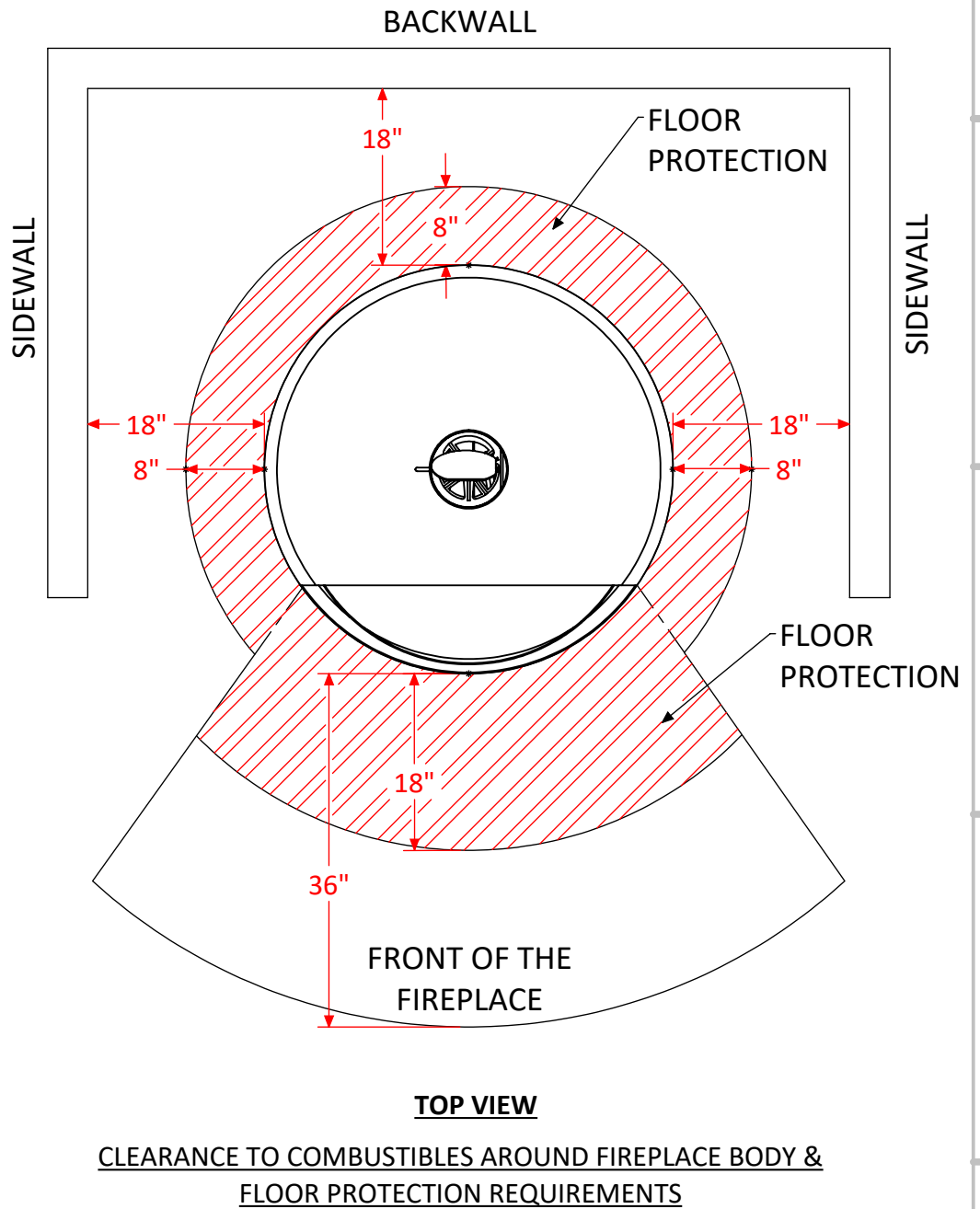
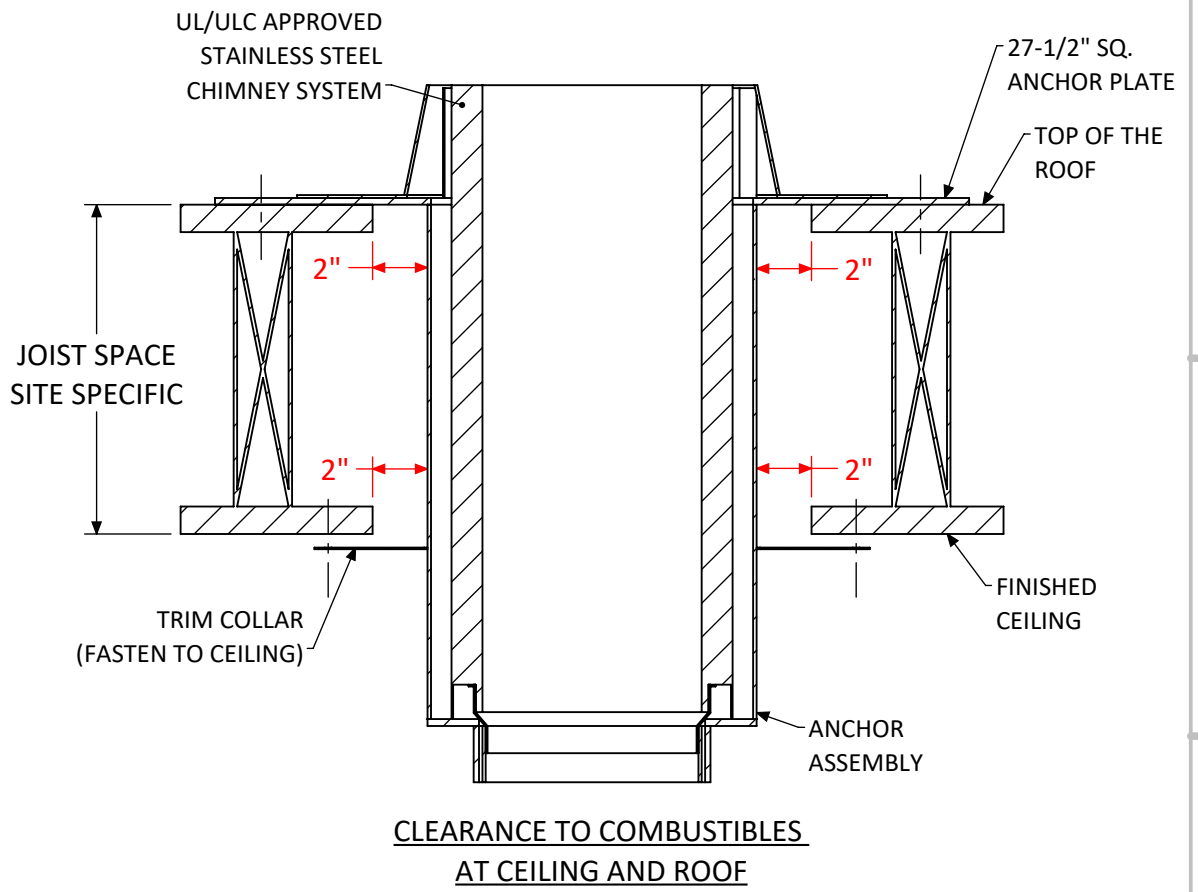
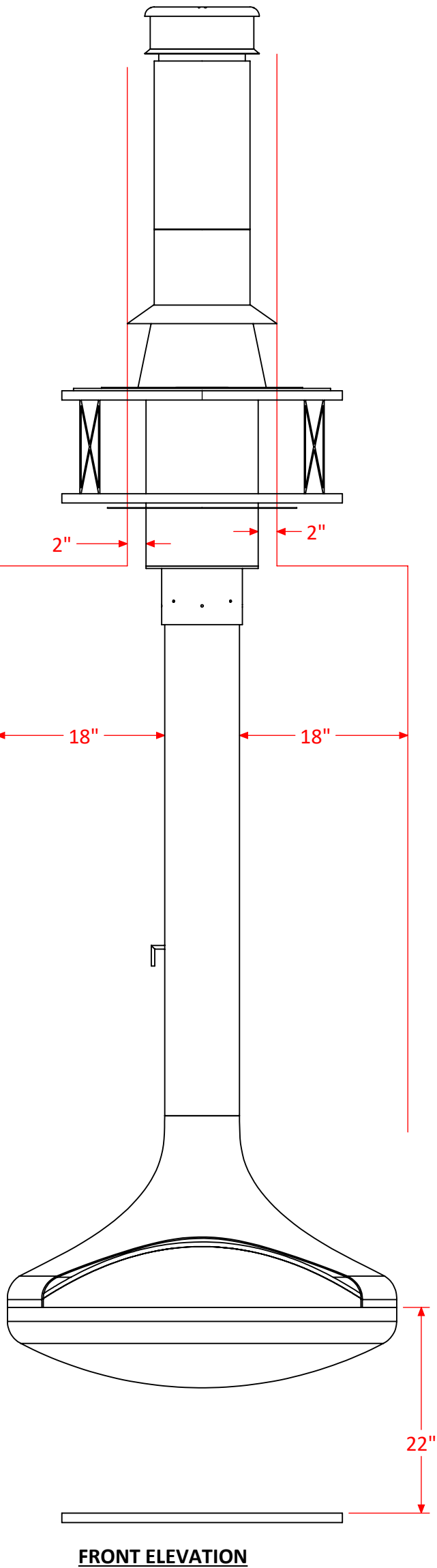
DESCRIPTION		DATE
Anchor Options		(mm/dd/yyyy)
	NAME	
DRAWN	Maulik Panchal	2022-01-25
CHECKED	MV	2022-01-25
APPROVED	--	NA

SIZE B SHEET 4 OF 6 DO NOT SCALE DRAWING

PROPRIETARY AND CONFIDENTIAL
THE INFORMATION CONTAINED IN THIS DRAWING IS THE SOLE PROPERTY OF CUSTOM FIREPLACE DESIGN.
ANY REPRODUCTION IN PART OR AS A WHOLE WITHOUT THE WRITTEN PERMISSION OF CUSTOM FIREPLACE DESIGN IS PROHIBITED.

CLEARANCE TO COMBUSTIBLES

- A minimum of 36" from the combustible materials and/or walls around the fireplace open side and 18" around closed side is required. 36" all around the fireplace if rotation device is used.
- 2" around the chimney system & 18" around flue pipe is required.
- A minimum of 18" of non-combustible floor material from the fireplace opening and 8" around the rest of the fireplace close side including the portion underneath is required.
- The bottom lip of the fireplace opening shall be at least 22" from the floor.



North American Designed & Manufactured by:

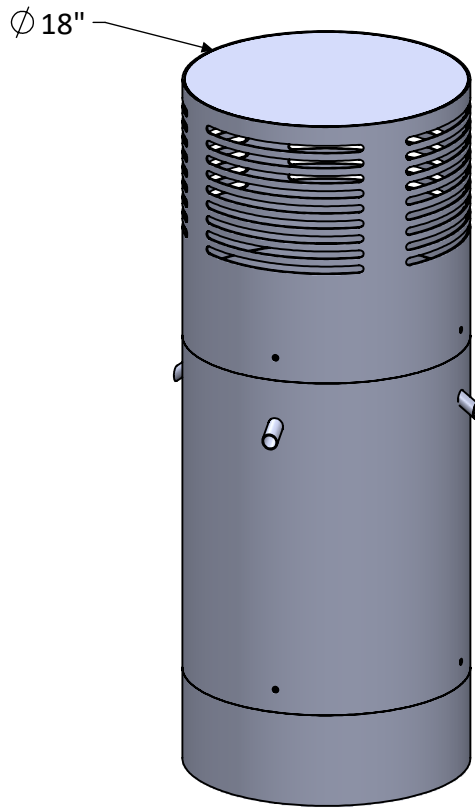
CF + D | custom fireplace design

5230 Harvester Rd. Unit # 2 Burlington, Ontario Canada L7L 4X4
Phone: 905 681-3070 Fax: 905 681-8697

PROJECT		REV
CALLISTA Single-Sided Suspended Wood Burning Fireplace		0
UNLESS OTHERWISE SPECIFIED		DESCRIPTION
DIMENSIONS ARE IN INCHES		CLEARANCE TO COMBUSTIBLES
TOLERANCES:		NAME
FRACTIONAL ± 1/16		DATE
ANGULAR: MACH ± 1° BEND ± 0.5°		(mm/dd/yyyy)
TWO PLACE DECIMAL ± 0.01		DRAWN
THREE PLACE DECIMAL ± 0.005		Maulik Panchal
		2022-02-21
		CHECKED
		MV
		2022-02-21
SIZE B SHEET 5 OF 6 DO NOT SCALE DRAWING		APPROVED
		--
		NA

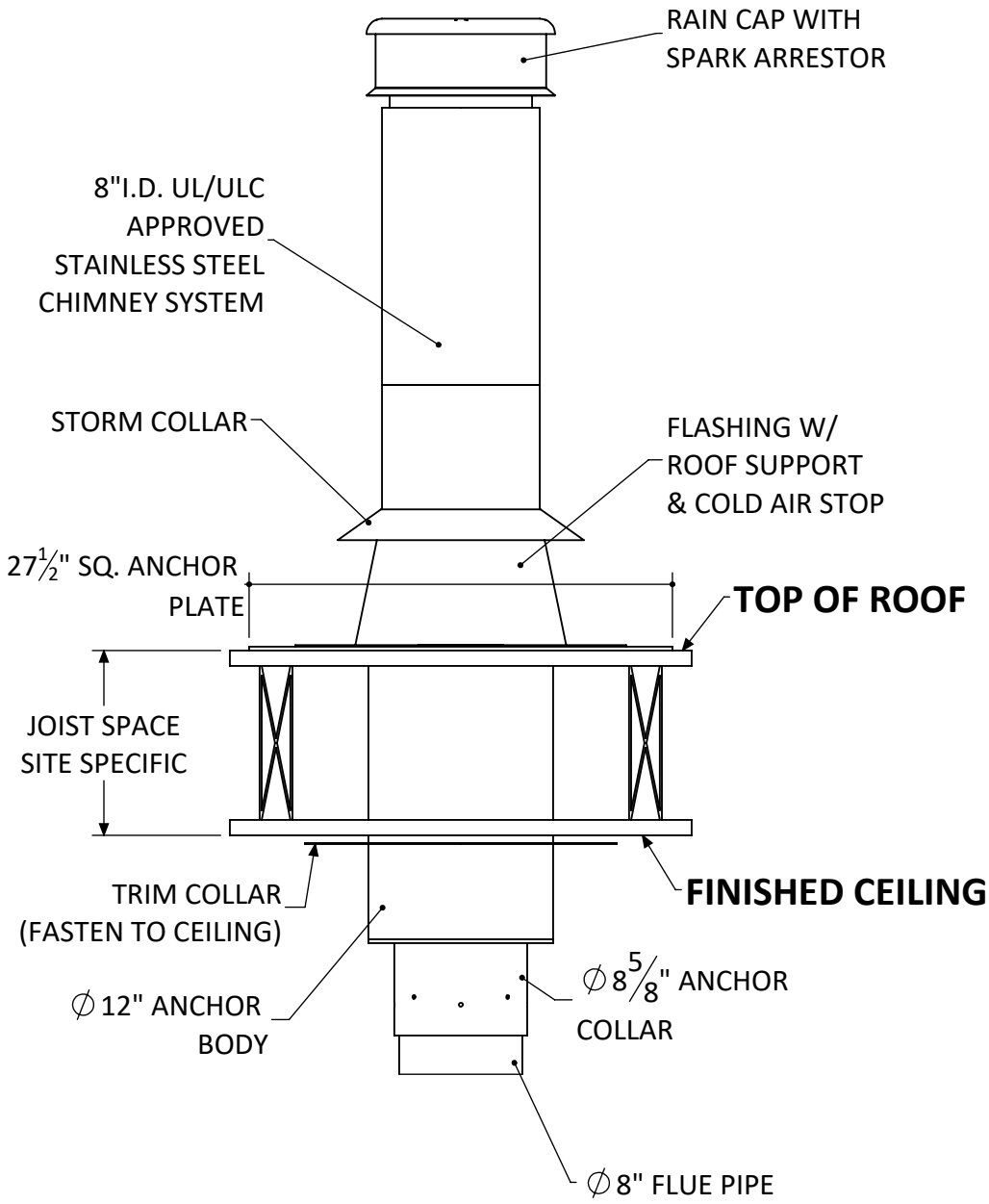
PROPRIETARY AND CONFIDENTIAL
THE INFORMATION CONTAINED IN THIS DRAWING IS THE SOLE PROPERTY OF CUSTOM FIREPLACE DESIGN. ANY REPRODUCTION IN PART OR AS A WHOLE WITHOUT THE WRITTEN PERMISSION OF CUSTOM FIREPLACE DESIGN IS PROHIBITED.

OPTIONAL DECORATIVE CHIMNEY COVER (ROUND)

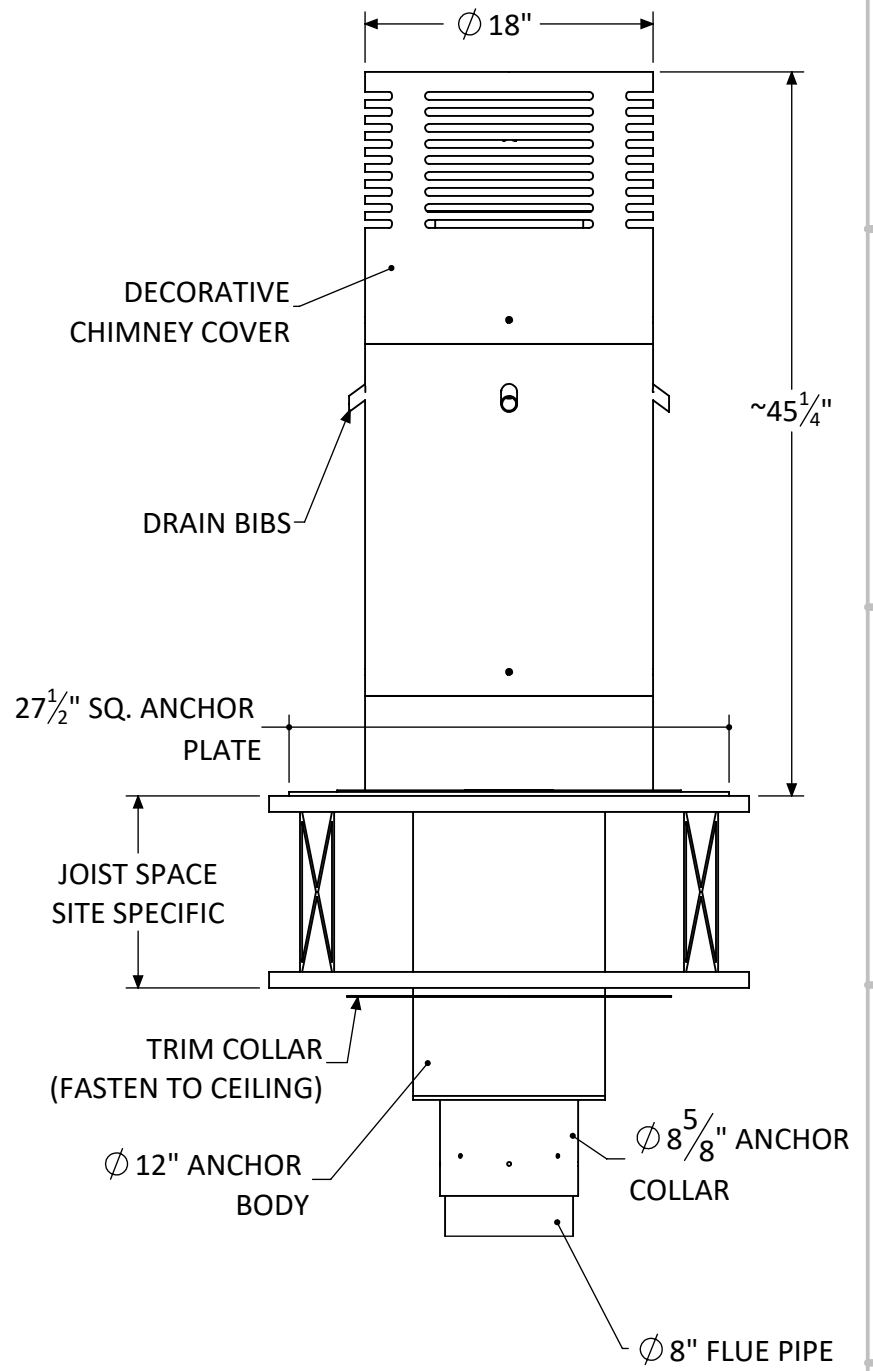


(STANDARD SIZE UP TO 5 FT.)

WITHOUT DECORATIVE CHIMNEY COVER



WITH DECORATIVE CHIMNEY COVER



North American Designed & Manufactured by:

CF + D | custom fireplace design

5230 Harvester Rd. Unit # 2 Burlington, Ontario Canada L7L 4X4
Phone: 905 681-3070 Fax: 905 681-8697

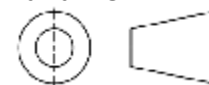
PROJECT
CALLISTA Single-Sided | Suspended Wood Burning Fireplace

REV
0

UNLESS OTHERWISE SPECIFIED

DESCRIPTION
Decorative Cover Options

DIMENSIONS ARE IN INCHES
TOLERANCES:
FRACTIONAL ± 1/16
ANGULAR: MACH ± 1° BEND ± 0.5°
TWO PLACE DECIMAL ± 0.01
THREE PLACE DECIMAL ± 0.005



	NAME	DATE (mm/dd/yyyy)
DRAWN	Maulik Panchal	2022-02-21
CHECKED	MV	2022-02-21
APPROVED	--	NA

SIZE B SHEET 6 OF 6 DO NOT SCALE DRAWING

PROPRIETARY AND CONFIDENTIAL
THE INFORMATION CONTAINED IN THIS DRAWING IS THE SOLE PROPERTY OF CUSTOM FIREPLACE DESIGN. ANY REPRODUCTION IN PART OR AS A WHOLE WITHOUT THE WRITTEN PERMISSION OF CUSTOM FIREPLACE DESIGN IS PROHIBITED.